



PIAGGIO & C.s.p.a.



SPARE PARTS CATALOGUE



California 1100 1994-1997

Chassis prefix: ZGUKC, ZGUKD

Engine prefix:

CALIFORNIA

GU029



Index

Products.....	4
Part reference.....	11
FRAME.....	19
Drawing 33.01 - Top box.....	19
Drawing 33.02 - Leather top case.....	20
Drawing 33.03 - Side cases.....	21
Drawing 33.04 - Leather side cases.....	22
Drawing 33.05 - Stands.....	23
Drawing 33.06 - Bevel gear.....	25
Drawing 33.07 - Dashboard.....	27
Drawing 33.08 - Fuel vapour recover system.....	29
Drawing 33.09 - Headlight-Horn.....	31
Drawing 33.10 - Taillight.....	33
Drawing 33.11 - Air filter.....	34
Drawing 33.12 - Front fork.....	35
Drawing 33.13 - Swing arm.....	37
Drawing 33.14 - Electrical system.....	38
Drawing 33.15 - RH Front brake system.....	40
Drawing 33.16 - Front/rear brake system.....	41
Drawing 33.17 - Pierburg valve system.....	42
Drawing 33.18 - Handlebar - Controls.....	43
Drawing 33.19 - Windscreen.....	45
Drawing 33.20 - Front/Rear mudguard.....	46
Drawing 33.21 - Foot rests.....	48
Drawing 33.22 - Rear brake m.cylinder I.....	50
Drawing 33.23 - Rear brake m.cylinder II.....	51
Drawing 33.24 - Luggage rack.....	53
Drawing 33.25 - Front wheel.....	54
Drawing 33.26 - Rear wheel.....	55
Drawing 33.27 - Saddle-Central bod.....	57
Drawing 33.28 - Fuel tank.....	60
Drawing 33.29 - Front/rear shock absorber.....	63
Drawing 33.30 - Frame.....	65
Drawing 33.31 - Digiplex electrical system.....	67
Drawing 33.32 - Injection wiring.....	68
Drawing 33.35 - Fuel supply.....	70
Drawing 33.39 - CDI unit assy.....	71
Drawing 33.44 - Exhaust unit.....	72
Drawing 33.46 - Gear lever I.....	73
Drawing 33.47 - Gear lever II.....	74
ENGINE.....	75
Drawing 34.33 - Drive shaft.....	75
Drawing 34.34 - Driven shaft.....	78



Drawing 34.36 - Gear box.....	80
Drawing 34.37 - Carburettor.....	82
Drawing 34.38 - Crank-case.....	85
Drawing 34.40 - Throttle body.....	87
Drawing 34.41 - Timing system.....	89
Drawing 34.42 - Clutch.....	90
Drawing 34.43 - Generator - Regulator.....	91
Drawing 34.45 - Starter motor.....	92
Drawing 34.48 - Oil pump.....	93
Drawing 34.49 - Gearbox I.....	95
Drawing 34.50 - Gearbox II.....	96
Drawing 34.51 - Head - Cylinder - Piston.....	98



Products

Code	Validity
9032533US202UNC	
9032534US403UNC	
9032534US405UNC	
903253705221UNC	
9032542US401AUNC	
9032543US402UNC	
903257405108UNC	
9032583US202UNC	
GU900056301101	
GU900056301701	
GU900056301902	
GU900056305101	
GU900056305102	
GU900056305115	
GU900056305701	
GU900056305702	
GU900056305705	
GU900056305710	
GU900056305717	
GU900056321102	
GU900056321115	
GU9032174US701	
GU9032211US503	
GU9032529EU301	
GU9032533US201	
GU9032533US202	
GU9032533US401	
GU9032533US402	
GU9032533US403	
GU9032534US202	
GU9032534US203	
GU9032534US401	
GU9032534US402	
GU9032534US403	
GU9032534US404	
GU9032534US405	
GU903253501201	
GU903253501208	
GU903253501221	
GU903253505201	
GU903253505208	
GU903253505221	



Code	Validity
GU903253506201	
GU903253506208	
GU903253506221	
GU903253508201	
GU903253509208	
GU9032536AU201	
GU9032536AU202	
GU9032536AU203	
GU9032536AU304	
GU9032536AU305	
GU9032536EU201	
GU9032536EU202	
GU9032536EU203	
GU9032536EU304	
GU9032536EU305	
GU9032536GB201	
GU9032536GB202	
GU9032536GB203	
GU9032536GB304	
GU9032536GB305	
GU9032536JP201	
GU9032536JP202	
GU9032536JP203	
GU903253701221	
GU903253705221	
GU903253706221	
GU903253707221	
GU903253708221	
GU903253709221	
GU9032538AU201	
GU9032538AU202	
GU9032538AU203	
GU9032538AU304	
GU9032538EU201	
GU9032538EU202	
GU9032538EU203	
GU9032538EU304	
GU9032538EU305	
GU9032538GB201	
GU9032538GB202	
GU9032538GB203	
GU9032538GB304	
GU9032538GB305	
GU9032538JP201	
GU9032538JP202	



Code	Validity
GU9032538JP203	
GU9032538JP305	
GU9032538NZ202	
GU9032542US201	
GU9032542US203	
GU9032542US401	
GU9032542US402	
GU9032542US403	
GU9032543US202	
GU9032543US203	
GU9032543US402	
GU9032543US403	
GU903254505208	
GU903254505215	
GU903254505219	
GU903254505221	
GU9032546AU201	
GU9032546AU202	
GU9032546AU203	
GU9032546EU201	
GU9032546EU202	
GU9032546EU203	
GU9032546GB201	
GU9032546GB202	
GU9032546GB203	
GU9032546JP201	
GU9032546JP202	
GU9032546JP203	
GU9032546NZ201	
GU9032547AU202	
GU9032547AU203	
GU9032547EU202	
GU9032547EU203	
GU9032547GB202	
GU9032547GB203	
GU9032547JP202	
GU9032547JP203	
GU9032547NZ202	
GU9032547NZ203	
GU903254805205	
GU903254805226	
GU903255601203	
GU903255601222	
GU903255605203	
GU903255605222	



Code	Validity
GU903255608203	
GU903255608222	
GU903256401906	
GU903256601802	
GU903256601805	
GU903256601808	
GU903256601905	
GU903256601908	
GU903256601909	
GU903256605802	
GU903256605805	
GU903256605808	
GU903256605809	
GU903256605820	
GU903256605905	
GU903256605908	
GU903256621905	
GU903256621908	
GU903256701805	
GU903256701815	
GU903256705801	
GU903256705805	
GU903256705815	
GU903256705821	
GU903256721801	
GU903256721805	
GU903256721815	
GU903256721821	
GU903257201108	
GU903257201115	
GU903257201119	
GU903257201121	
GU903257205115	
GU903257221108	
GU903257221115	
GU903257301103	
GU903257301122	
GU903257305103	
GU903257305122	
GU903257401108	
GU903257401115	
GU903257401121	
GU903257401123	
GU903257405108	
GU903257405121	



Code	Validity
GU903257405123	
GU903257421108	
GU903257421121	
GU903257421123	
GU903258105227	
GU9032582AU202	
GU9032582EU201	
GU9032582EU202	
GU9032582GB201	
GU9032582GB202	
GU9032582JP201	
GU9032582JP202	
GU9032582NZ202	
GU9032583EU701	
GU9032583US201	
GU9032583US202	
GU9032583US402	
GU9032584AU601	
GU9032584CA701	
GU9032584CA801	
GU9032584CA901	
GU9032584CA902	
GU9032584EU601	
GU9032584EU801	
GU9032584EU802	
GU9032584GB601	
GU9032584GB801	
GU9032584JP601	
GU9032584JP801	
GU9032584JP802	
GU9032584US701	
GU9032584US801	
GU9032584US901	
GU9032584US902	
GU9032585AU601	
GU9032585AU602	
GU9032585AU603	
GU9032585AU704	
GU9032585EU601	
GU9032585EU602	
GU9032585EU603	
GU9032585EU704	
GU9032585GB601	
GU9032585GB602	
GU9032585GB704	



Code	Validity
GU9032585JP601	
GU9032585JP602	
GU9032586AU601	
GU9032586AU602	
GU9032586EU601	
GU9032586EU602	
GU9032586EU603	
GU9032586GB601	
GU9032586GB602	
GU9032586GB603	
GU9032586JP601	
GU9032586JP602	
GU903259101205	
GU903259101226	
GU903259106205	
GU903259106226	
GU903259107205	
GU903259107226	
GU903259109226	
GU903259301123	
GU903259305123	
GU903259306123	
GU903259307123	
GU903259308123	
GU903259321123	
GU903259401127	
GU903259405127	
GU903259406127	
GU903259407127	
GU903259408127	
GU903259409127	
GU903259501105	
GU903259501126	
GU903259505126	
GU903259601121	
GU903259701208	
GU903259701215	
GU903259701219	
GU903259701221	
GU903259705208	
GU903259705215	
GU903259705219	
GU903259705221	
GU903259706208	
GU903259706215	



Code	Validity
GU903259706219	
GU903259706221	
GU903259707215	
GU903259707219	
GU903259708208	
GU903259708215	
GU903259708219	
GU903259708221	
GU903259709208	
GU903259709215	
GU903259801203	
GU903259801222	
GU903259805203	
GU903259805222	
GU903259807203	
GU903259821203	
GU903259821222	
GU9032700US602	



Code	Drawing Nr.	Pos.	Code	Drawing Nr.	Pos.	Code	Drawing Nr.	Pos.
0000000	33.23	11	GU12011700	34.38	31	GU13937800	34.37	30
0000000	34.37	13	GU12011800	34.38	29	GU13937900	34.37	26
0000000	34.37	15	GU12012200	34.38	10	GU14003600	34.38	21
0000000	34.37	17	GU12018900	34.38	7	GU14011900	34.38	9
0000000	34.37	18	GU12021700	34.51	18	GU14011901	34.38	9
0000000	34.37	19	GU12021800	34.51	17	GU14018400	34.51	19
0000000	34.37	20	GU12022600	34.51	13	GU14020865	34.51	11
0000000	34.37	22	GU12031800	34.51	37	GU14022065	34.51	9
0000000	34.37	23	GU12038100	34.51	29	GU14023760	34.51	3
0000000	34.37	28	GU12054000	34.33	29	GU14030200	34.51	30
0000000	34.37	31	GU12065400	34.33	2	GU14030400	34.51	31
0000000	34.37	35	GU12067701	34.33	9	GU14034865	34.51	40
0000000	34.37	39	GU12082300	34.42	4	GU14036860	34.51	7
0000000	34.37	40	GU12082800	34.42	5	GU14037300	34.51	24
0000000	34.37	41	GU12082901	34.42	2	GU14038000	34.51	28
0000000	34.37	42	GU12087001	34.42	9	GU14060760	34.33	19
0000000	34.37	45	GU12150700	34.48	16	GU14061060	34.33	21
0000000	34.37	47	GU12150900	34.48	14	GU14072001	34.33	4
0000000	34.37	50	GU12154200	34.41	21	GU14085700	34.42	6
0000000	34.37	53	GU12154200	34.48	25	GU14085900	34.42	7
0000000	34.37	57	GU12154200	34.50	33	GU14086000	34.42	8
0000000	34.37	58	GU12157800	34.48	32	GU14086100	34.42	10
0000000	34.37	60	GU12159000	34.48	17	GU14090202	34.42	12
0000000	34.37	61	GU12207200	34.50	18	GU14090400	34.42	14
0000000	34.37	62	GU12207700	34.50	19	GU14102570	33.08	6
0000000	34.45	5	GU12211700	34.36	12	GU14114350	33.35	4
0000000	34.45	6	GU12327700	33.13	16	GU14121200	33.44	4
0000000	34.45	7	GU12351100	33.06	11	GU14126900	33.44	9
0000000	34.45	8	GU12355202	33.06	18	GU14152200	34.48	8
0000000	34.49	6	GU12355203	33.06	18	GU14153660	34.48	23
0000000	34.49	7	GU12356300	33.06	30	GU14158200	34.48	12
GU00823931070	33.28	3	GU12433000	33.05	32	GU14158800	34.48	19
GU00823931080	33.24	16	GU12433000	33.14	30	GU14201110	34.50	10
GU00823941095	33.17	11	GU12547200	33.13	5	GU14204955	34.50	27
GU00823942070	34.48	30	GU12616101	33.25	4	GU14210513	34.36	14
GU00823942070	34.50	28	GU12616101	33.26	5	GU14210702	34.36	5
GU00823944050	33.11	17	GU12616102	33.25	4	GU14211110	34.36	8
GU00823944050	33.32	43	GU12616102	33.26	5	GU14211201	34.36	9
GU00823945060	33.14	32	GU12616103	33.25	4	GU14211600	34.36	11
GU00823945060	33.35	3	GU12616103	33.26	5	GU14212013	34.36	17
GU00823950050	33.22	11	GU12626800	33.46	21	GU14212210	34.36	21
GU00823956060	33.08	5	GU12717600	34.48	22	GU14213001	34.34	12
GU00823956080	33.08	7	GU12760400	33.07	12	GU14213803	34.50	4
GU00823956080	33.11	12	GU12763310	33.07	32	GU14214210	34.34	18
GU01336800	33.26	20	GU13021900	34.51	15	GU14214510	34.34	13
GU01530500	34.40	3	GU13036801	34.51	7	GU14214810	34.34	11
GU03001600	34.38	20	GU13037000	34.51	25	GU14215110	34.34	5
GU03112560	34.40	1	GU13037200	34.51	23	GU14215213	34.34	17
GU03158200	34.48	12	GU13037400	34.51	26	GU14215400	34.34	4
GU10032700	34.51	2	GU13037600	34.51	27	GU14217300	34.34	16
GU10034100	34.51	34	GU13054502	34.33	32	GU14217410	34.34	2
GU10154200	33.17	7	GU13084100	34.42	1	GU14217901	33.22	3
GU10158701	34.48	13	GU13148300	34.48	2	GU14217901	34.50	20
GU10528900	33.06	9	GU13211500	34.36	10	GU14217901	34.50	6
GU10528900	33.12	25	GU13432640	33.05	2	GU14218011	34.34	10
GU10528900	34.50	26	GU13432640	33.23	18	GU14218401	34.36	7
GU10934900	34.37	56	GU13432640	33.46	3	GU14219310	34.34	14
GU12001200	34.38	16	GU13432640	33.47	3	GU14219401	34.36	13
GU12003702	34.38	24	GU13432741	33.05	22	GU14230501	34.34	26
GU12003900	34.38	2	GU13433440	33.05	21	GU14230711	34.34	19
GU12006400	34.41	24	GU13932900	34.37	51	GU14231012	34.34	8
GU12006400	34.48	21	GU13933100	34.37	59	GU14231201	34.34	27
GU12007600	34.48	34	GU13934600	34.37	55	GU14231510	34.36	22
GU12011400	34.38	30	GU13936300	34.37	33	GU14232400	34.34	25
GU12011401	34.38	30	GU13936600	34.37	38	GU14232512	34.34	9
GU12011402	34.38	30	GU13936700	34.37	37	GU14234300	34.34	23
GU12011403	34.38	30	GU13937600	34.37	29	GU14234405	34.34	20



Code	Drawing Nr.	Pos.	Code	Drawing Nr.	Pos.	Code	Drawing Nr.	Pos.
GU14234600	34.33	40	GU17350400	33.06	23	GU18516660	33.12	8
GU14234600	34.34	24	GU17350700	33.06	24	GU18548000	33.13	9
GU14235500	34.34	21	GU17351400	33.06	28	GU18675052	33.23	25
GU14237800	34.50	14	GU17354650	33.06	29	GU18678350	33.23	19
GU14335303	33.26	23	GU17355400	33.06	25	GU18740435	33.09	3
GU14429500	33.21	12	GU17355402	33.06	25	GU19007700	34.43	16
GU14429600	33.05	12	GU17355404	33.06	25	GU19025300	34.51	44
GU14429900	33.05	37	GU17355406	33.06	25	GU19133400	33.18	11
GU14432900	33.05	4	GU17355408	33.06	25	GU19149800	33.19	19
GU14433200	33.05	5	GU17355410	33.06	25	GU19157800	33.22	13
GU14433400	33.05	9	GU17355412	33.06	25	GU19351200	33.06	6
GU14433400	34.33	34	GU17444250	33.21	29	GU19351200	34.50	23
GU14433500	33.05	10	GU17451750	33.30	11	GU19355320	33.06	19
GU14434000	33.05	18	GU17530260	33.29	10	GU19355321	33.06	19
GU14461400	33.14	31	GU17633550	33.26	19	GU19355322	33.06	19
GU14494600	33.29	4	GU17654760	33.15	17	GU19355323	33.06	19
GU14498550	33.13	18	GU17654760	33.16	24	GU19355324	33.06	19
GU14516700	33.29	6	GU17658260	33.15	15	GU19355325	33.06	19
GU14517000	33.29	7	GU17658260	33.16	15	GU19355326	33.06	19
GU14609650	33.14	25	GU17658360	33.16	14	GU19355327	33.06	19
GU14609650	33.16	11	GU17658460	33.15	14	GU19355328	33.06	19
GU14615901	33.06	31	GU17658860	33.16	16	GU19355329	33.06	19
GU14615901	33.06	4	GU17659260	33.15	23	GU19705900	33.30	41
GU14615901	33.22	6	GU17659260	33.16	17	GU19707100	33.14	9
GU14615901	33.25	16	GU17659350	33.23	38	GU19740302	33.09	14
GU14615901	33.26	17	GU17659650	33.16	10	GU19740303	33.09	10
GU14615901	33.30	23	GU17667550	33.23	2	GU19740404	33.09	7
GU14615901	33.44	6	GU17667650	33.23	5	GU19740454	33.09	2
GU14615901	34.33	11	GU17718350	33.31	24	GU19741336	33.07	36
GU14615901	34.33	8	GU17718350	33.32	12	GU19748400	33.14	11
GU14634400	33.26	28	GU17740405	33.09	11	GU19768680	33.07	17
GU14659000	33.15	25	GU17750520	33.14	23	GU19917835	33.28	24
GU14659000	33.16	25	GU17751200	33.14	24	GU19938880	34.37	11
GU14659100	33.15	24	GU17762150	33.07	11	GU23093870	33.18	29
GU14659100	33.16	26	GU17762200	33.07	14	GU23105470	33.28	4
GU14659450	33.23	39	GU17768750	34.48	20	GU23440710	33.21	16
GU14661100	33.23	3	GU17937450	34.37	27	GU23441210	33.21	20
GU14661300	33.23	4	GU17937767	34.37	2	GU23441810	33.21	18
GU14717600	33.31	23	GU17999550	34.38	34	GU23443210	33.21	19
GU14717600	33.32	13	GU18001150	34.38	13	GU23497910	33.12	32
GU14747455	33.09	28	GU18001650	34.38	20	GU23500210	33.12	34
GU14756255	33.09	5	GU18060601	34.33	25	GU23707100	33.14	10
GU14762510	33.07	31	GU18060950	34.33	20	GU23740418	33.09	6
GU14766110	33.07	33	GU18144350	34.48	18	GU23760010	33.07	1
GU14768650	33.07	10	GU18161150	34.41	11	GU23768310	33.07	3
GU14769470	33.18	34	GU18211050	34.36	15	GU23943410	33.12	36
GU14769870	33.18	33	GU18211051	34.36	15	GU23943510	33.12	47
GU14931050	34.37	43	GU18211052	34.36	15	GU23943510	33.15	19
GU14931350	34.37	52	GU18211054	34.36	15	GU23943510	33.16	20
GU14931650	34.37	36	GU18252050	33.46	2	GU25656100	33.15	12
GU14933000	34.37	9	GU18256950	33.46	11	GU25656100	33.16	5
GU14934650	34.37	16	GU18257551	33.46	9	GU25656100	33.23	33
GU14936050	34.37	6	GU18257651	33.46	8	GU25656102	33.28	21
GU14936450	34.37	49	GU18257801	33.46	20	GU25656102	34.48	26
GU14936550	34.37	48	GU18258101	33.46	23	GU27061385	34.33	23
GU14936850	34.37	46	GU18258101	33.47	13	GU27603020	33.18	16
GU14936950	34.37	44	GU18258201	33.46	27	GU27603120	33.18	15
GU14938050	34.37	14	GU18258201	33.47	21	GU27603520	33.18	4
GU17034050	34.51	33	GU18259151	33.23	17	GU27603620	33.18	3
GU17045860	34.33	27	GU18259151	33.46	6	GU27604815	33.15	5
GU17067900	34.33	10	GU18259151	33.47	6	GU27611710	33.26	4
GU17121061	33.44	5	GU18352400	33.06	15	GU27661115	33.15	10
GU17122962	33.44	15	GU18355100	33.06	17	GU27663615	33.15	6
GU17123062	33.44	10	GU18432760	33.05	17	GU27664075	33.15	3
GU17250840	33.46	1	GU18434060	33.05	6	GU27668561	33.23	34
GU17252050	33.46	12	GU18513460	33.29	2	GU28007250	34.48	31
GU17335950	33.26	24	GU18513560	33.29	3	GU28058060	34.33	36



Code	Drawing Nr.	Pos.	Code	Drawing Nr.	Pos.	Code	Drawing Nr.	Pos.
GU28061260	34.33	22	GU29107261	34.41	1	GU29526650	33.12	19
GU28105280	33.28	20	GU29107360	34.41	2	GU29526960	33.12	17
GU28108410	33.28	5	GU29107960	34.41	20	GU29527960	33.12	18
GU28115560	33.35	8	GU29108550	33.08	3	GU29530562	34.40	4
GU28115560	34.40	17	GU29109161	34.41	14	GU29531050	33.29	9
GU28150560	34.48	38	GU29112760	34.41	16	GU29531850	33.29	8
GU28153960	34.48	36	GU29113035	34.40	25	GU29541850	33.29	23
GU28157450	34.48	27	GU29113360	34.40	21	GU29575150	33.19	1
GU28157850	34.48	28	GU29113460	34.40	22	GU29602760	33.18	17
GU28157950	33.17	9	GU29113860	34.41	13	GU29606970	33.18	30
GU28157950	34.41	25	GU29115822	33.17	16	GU29614160	33.25	18
GU28217350	34.34	29	GU29115860	33.11	15	GU29615260	33.25	6
GU28236260	34.34	32	GU29116022	33.17	1	GU29615660	33.25	19
GU28238261	34.34	33	GU29116023	33.17	3	GU29616450	33.25	21
GU28462645	33.28	22	GU29116085	33.08	10	GU29616450	33.26	29
GU28526590	33.12	31	GU29116922	33.17	8	GU29655722	33.17	12
GU28527633	33.12	37	GU29116960	33.11	14	GU29667000	33.23	1
GU28576590	33.14	5	GU29117750	33.18	13	GU29704060	34.43	15
GU28611633	33.25	2	GU29119022	33.17	15	GU29711460	34.43	5
GU28611733	33.25	3	GU29119122	33.17	14	GU29711960	34.43	11
GU28613560	33.25	12	GU29119222	33.17	10	GU29721450	33.31	1
GU28613560	33.26	11	GU29119306	34.37	64	GU29721660	33.31	11
GU28618860	33.25	13	GU29119822	33.17	6	GU29721660	33.32	16
GU28618860	33.26	12	GU29120950	33.44	1	GU29722760	33.31	13
GU28635800	33.16	22	GU29120951	33.44	2	GU29722760	33.32	20
GU28652301	33.16	1	GU29123450	33.44	17	GU29724460	33.32	2
GU28653001	33.15	16	GU29123951	33.44	8	GU29727061	33.32	34
GU28653001	33.16	21	GU29127185	33.08	11	GU29727860	33.07	34
GU28654601	33.15	18	GU29128650	33.44	11	GU29728960	33.39	4
GU28654601	33.16	23	GU29128750	33.44	16	GU29729762	33.39	6
GU28657140	33.15	13	GU29217960	34.43	7	GU29737960	33.39	5
GU28657501	33.16	2	GU29326300	33.13	15	GU29740500	33.09	1
GU28704545	33.14	26	GU29418360	33.30	35	GU29748460	33.14	8
GU28704900	33.14	28	GU29433850	33.05	25	GU29759150	33.05	29
GU28707050	33.14	27	GU294343602	33.20	1	GU29761550	33.07	2
GU28716748	33.31	17	GU29436450	33.27	15	GU29762450	33.07	2
GU28716748	33.32	22	GU29436450	33.29	19	GU29765150	33.07	8
GU28740533	33.09	1	GU29436550	33.20	8	GU29765250	33.07	15
GU28742560	33.14	22	GU29436650	33.29	16	GU29767240	33.07	4
GU28742560	33.32	4	GU29439550	33.29	21	GU29767250	33.07	4
GU28745761	33.07	28	GU29442250	33.21	24	GU29917853	33.28	24
GU28762540	33.07	31	GU29443501	33.21	9	GU29924335	33.27	23
GU28762860	33.07	37	GU29443550	33.21	15	GU29924435	33.27	24
GU28763340	33.07	32	GU29446050	33.21	17	GU29935522	34.37	3
GU28769533	33.29	30	GU29447150	33.21	40	GU29995735	33.28	19
GU28769550	33.18	32	GU29457801001	33.27	12	GU29999000	34.38	33
GU28782550	33.30	2	GU29458251	33.03	13	GU30000760	34.38	1
GU28929940	33.20	9	GU29459101001	33.27	13	GU30000770	34.38	1
GU28935711	34.37	4	GU29459336	33.27	20	GU30001460	34.38	15
GU28935740	34.37	4	GU29459851	33.03	12	GU30003260	34.38	36
GU28937750	34.37	2	GU29461650	33.27	2	GU30003560	34.38	22
GU28939050	34.37	7	GU29469250	33.30	12	GU30003770	34.38	43
GU28939911	34.37	63	GU294762601	33.27	4	GU30003800	34.38	23
GU28999590	33.12	20	GU294763501	33.27	5	GU30004910	34.38	28
GU29018361	34.38	38	GU29479555	33.04	7	GU30022060	34.51	9
GU29023550	34.51	1	GU29482400	33.03	11	GU30022160	34.51	5
GU29054460	34.33	32	GU29482555	33.04	2	GU30022162	34.51	5
GU29064161	34.33	1	GU29487555	33.02	1	GU30022260	34.51	6
GU29067040	34.33	7	GU29487655	33.02	2	GU30022262	34.51	6
GU29067060	34.33	7	GU29493150	33.12	5	GU30023670	34.51	1
GU29084450	34.42	3	GU29496150	33.12	23	GU30027931	33.32	31
GU29103985	33.08	2	GU29496250	33.12	24	GU30036010	34.51	21
GU29104985	33.08	4	GU29506850	33.19	6	GU30036110	34.51	22
GU29105860	34.41	3	GU29524550	33.12	15	GU30053360	34.33	28
GU29106061	34.41	12	GU29525360	33.12	16	GU30057810	34.33	37
GU29106500	33.28	6	GU29526360	33.12	28	GU30060060	34.51	42
GU29106660	33.08	9	GU29526361	33.12	29	GU30060085	34.51	42



Code	Drawing Nr.	Pos.	Code	Drawing Nr.	Pos.	Code	Drawing Nr.	Pos.
GU30060160	34.51	10	GU30112665	33.35	2	GU30429960	33.05	14
GU30060185	34.51	10	GU30113370	34.40	21	GU30430360	33.05	1
GU30060410	34.33	18	GU30113460	33.11	3	GU30432060	33.05	3
GU30060461	34.33	18	GU30113470	34.40	22	GU30433560	33.05	33
GU30060660	34.33	25	GU30113600	33.11	2	GU30434361	33.20	1
GU30060760	34.33	19	GU30114060	33.11	1	GU30434362	33.20	1
GU30060960	34.33	20	GU30114370	34.40	7	GU30434363	33.20	1
GU30061060	34.33	21	GU30114460	33.11	11	GU30434364	33.20	1
GU30061241	34.33	22	GU30114470	34.40	5	GU30434369	33.20	1
GU30061500	34.33	13	GU30114560	33.11	9	GU30434379	33.20	1
GU30061560	34.33	13	GU30114660	33.11	8	GU30434385	33.20	1
GU30062000	34.33	17	GU30115060	33.35	6	GU30434386	33.20	1
GU30062001	34.33	17	GU30115061	33.35	7	GU30434387	33.20	1
GU30062002	34.33	17	GU30115070	34.40	8	GU30434388	33.20	1
GU30062003	34.33	17	GU30115071	34.40	9	GU30435560	33.20	14
GU30062200	34.33	16	GU30115220	33.08	12	GU30435760	33.20	2
GU30062260	34.33	16	GU30117560	33.18	6	GU30435960	33.20	3
GU30064160	34.33	1	GU30117570	34.40	18	GU304370602	33.20	11
GU30064161	34.33	41	GU30122960	33.44	15	GU30437061	33.20	11
GU30081810	34.36	3	GU30123060	33.44	10	GU30437062	33.20	11
GU30093060	33.18	28	GU30123910	33.44	8	GU30437063	33.20	11
GU30093860	33.18	29	GU30132860	33.18	20	GU30437064	33.20	11
GU301002601	33.28	1	GU30132870	34.40	19	GU30437069	33.20	11
GU30100261	33.28	1	GU30133560	33.18	21	GU30437079	33.20	11
GU30100262	33.28	1	GU30134060	33.18	22	GU30437085	33.20	11
GU30100263	33.28	1	GU30135200	33.18	19	GU30437086	33.20	11
GU30100264	33.28	1	GU30146400	34.48	1	GU30437087	33.20	11
GU301002651	33.28	1	GU30147700	34.48	4	GU30437088	33.20	11
GU30100266	33.28	1	GU30150900	34.48	14	GU30439060	33.20	13
GU30100267	33.28	1	GU30153000	34.48	11	GU30446960	33.21	3
GU30100268	33.28	1	GU30158701	34.48	13	GU30447060	33.21	8
GU30100269	33.28	1	GU30158800	34.48	19	GU30447460	33.21	4
GU301002701	33.08	1	GU30158900	34.48	50	GU30450260	33.30	3
GU30100271	33.08	1	GU30159000	34.48	17	GU30458260	33.03	13
GU30100272	33.08	1	GU30200260	34.50	1	GU30459360	33.27	17
GU30100273	33.08	1	GU30200860	34.50	11	GU30460560	33.27	1
GU30100274	33.28	1	GU30211160	34.36	8	GU30460576	33.27	1
GU30100275	33.08	1	GU30211260	34.36	9	GU30461360	33.30	21
GU30100278	33.28	1	GU30211560	34.36	10	GU30462060	33.30	25
GU30100279	33.08	1	GU30211660	34.36	11	GU30462160	33.30	31
GU30100280	33.28	1	GU30213602	34.34	1	GU30462360	33.30	24
GU30100285	33.28	1	GU30250860	33.47	1	GU30463260	33.30	33
GU30100287	33.28	1	GU30252060	33.47	15	GU30464060	33.27	3
GU30100288	33.08	1	GU30252360	33.47	16	GU30464076	33.27	3
GU30100289	33.08	1	GU30256860	33.47	11	GU30466562	33.24	1
GU30100290	33.08	1	GU30256960	33.47	14	GU30466564	33.24	1
GU30100291	33.08	1	GU30257660	33.47	9	GU30466576	33.24	1
GU30100292	33.28	1	GU30257860	33.47	20	GU30466961	33.24	11
GU30100293	33.28	1	GU30258160	33.47	10	GU30467361	33.24	12
GU30100294	33.28	1	GU30328031	33.13	12	GU30468076	33.24	2
GU30100295	33.28	1	GU30335260	33.26	22	GU30468104	34.40	26
GU30103060	33.28	7	GU30350262	33.06	1	GU30472460	33.28	12
GU30103960	33.28	2	GU30350285	33.06	1	GU30472960	33.28	13
GU30106170	34.41	9	GU30350360	33.06	2	GU30474660	33.10	14
GU30106570	34.41	7	GU30354602	33.06	29	GU30476261	33.27	4
GU30106620	33.08	8	GU30356760	33.06	13	GU30476262	33.27	4
GU30106800	34.41	10	GU30400160	33.30	1	GU30476263	33.27	4
GU30108070	34.41	19	GU30400164	33.30	1	GU30476264	33.27	4
GU30108160	33.31	10	GU30400174	33.30	1	GU30476269	33.27	4
GU30108270	34.41	15	GU30401061	34.41	23	GU30476279	33.27	4
GU30108770	34.41	22	GU30402770	33.32	11	GU30476287	33.27	4
GU30112570	34.40	1	GU304020360	33.21	1	GU30476361	33.27	5
GU30112660	33.35	1	GU30422160	33.21	2	GU30476362	33.27	5
GU30112661	33.35	2	GU30424660	34.50	37	GU30476363	33.27	5
GU30112662	33.35	1	GU30425260	33.21	37	GU30476364	33.27	5
GU30112663	33.35	2	GU30429760	33.05	36	GU30476369	33.27	5
GU30112664	33.35	1	GU30429860	33.05	15	GU30476379	33.27	5



Code	Drawing Nr.	Pos.	Code	Drawing Nr.	Pos.	Code	Drawing Nr.	Pos.
GU30476394	33.27	5	GU30658560	33.23	31	GU30922035	33.27	25
GU30476395	33.27	5	GU30658561	33.22	14	GU30922062	33.27	6
GU30477101	33.14	16	GU30658760	33.16	9	GU30922070	33.27	6
GU30477200	33.14	17	GU30660160	33.15	1	GU30922071	33.27	6
GU30479560	33.30	20	GU30665860	33.22	12	GU30922076	33.27	6
GU30480060	33.03	1	GU30666060	33.22	10	GU30922090	33.27	6
GU30480061	33.03	1	GU30666760	33.22	4	GU30922091	33.27	6
GU30480065	33.04	1	GU30666960	33.22	1	GU30922260	33.14	6
GU30482560	33.03	2	GU30675160	33.22	15	GU30930676	33.20	20
GU30485060	33.03	7	GU30675960	33.23	12	GU30935510	34.37	3
GU30485065	33.04	3	GU30678160	33.23	13	GU30935565	34.37	3
GU30485760	33.03	3	GU30678160	33.47	2	GU30936210	34.37	34
GU30486560	33.03	8	GU30705061	33.14	29	GU30937510	34.37	1
GU30486565	33.04	4	GU30714201	34.43	3	GU30937512	34.37	1
GU30490261	33.29	1	GU30716500	33.31	16	GU30939110	34.37	8
GU30494060	33.12	1	GU30716500	33.32	21	GU30942300	33.24	4
GU30496160	33.12	23	GU30717061	33.31	26	GU30942301	33.24	4
GU30496260	33.12	24	GU30717061	33.32	15	GU30945460	33.27	10
GU30522561	33.12	9	GU30717410	33.31	25	GU30945470	33.27	11
GU30522661	33.12	10	GU30717410	33.32	14	GU30991060	34.38	44
GU30525461	33.12	13	GU30721460	33.31	1	GU30991070	34.38	45
GU30525861	33.12	41	GU30722160	33.31	2	GU30991085	34.38	44
GU30526261	33.12	38	GU30725870	33.32	1	GU30991090	34.38	45
GU30526761	33.12	40	GU30728230	33.32	29	GU30991560	34.50	38
GU30528161	33.12	39	GU30728970	33.39	3	GU30999060	34.38	33
GU30530501	34.40	3	GU30729331	33.32	18	GU30999660	33.22	16
GU30530510	34.45	3	GU30729570	33.39	1	GU31003766	33.06	33
GU30530511	34.45	4	GU30729590	33.39	1	GU31003766	34.50	34
GU30530512	34.45	9	GU30730711	34.45	1	GU31468065	33.24	2
GU30530528	33.18	26	GU30732560	33.14	21	GU31468165	33.24	8
GU30530570	34.40	2	GU30732560	33.31	3	GU31468265	33.24	3
GU30532861	33.12	14	GU30732560	33.32	3	GU31482065	33.03	6
GU30540260	33.13	1	GU30736860	33.07	38	GU31482066	33.01	3
GU30547060	33.13	6	GU30736860	33.28	23	GU31482565	33.03	2
GU30547860	33.13	4	GU30736860	33.30	42	GU31484065	33.01	10
GU30550260	33.29	22	GU30738060	33.18	14	GU31484065	33.03	4
GU30550276	33.29	22	GU30738570	33.32	38	GU31484066	33.01	9
GU30555260	33.06	34	GU30738670	34.40	27	GU31484066	33.03	5
GU30576100	33.10	6	GU30738860	33.18	5	GU31485765	33.03	3
GU30577800	33.20	15	GU30738873	33.18	5	GU31487565	33.01	1
GU30600360	33.18	1	GU30740960	33.10	1	GU31487665	33.01	2
GU30600361	33.18	1	GU30741760	33.10	2	GU31487765	33.01	4
GU30601800	33.18	25	GU30746360	33.14	12	GU31487765	33.02	3
GU30602500	33.18	27	GU30747160	33.14	1	GU31487865	33.01	5
GU30602761	33.18	17	GU30747260	33.14	2	GU31487865	33.02	7
GU30603800	33.18	2	GU30747272	33.14	2	GU31487866	33.01	5
GU30603804	33.18	2	GU30749760	33.14	3	GU31487866	33.02	7
GU30605560	33.18	23	GU30749860	33.15	7	GU31575161	33.19	13
GU30605680	33.15	2	GU30751360	33.29	27	GU31735360	33.07	35
GU30607910	33.18	7	GU30751660	33.10	10	GU31735560	33.07	30
GU30610360	33.25	1	GU30751661	33.10	10	GU31740420	33.09	3
GU30610860	33.25	22	GU30753160	33.10	21	GU31740520	33.09	1
GU30611460	33.25	11	GU30753160	33.14	33	GU31743765	33.09	17
GU30611460	33.26	14	GU30758460	33.10	22	GU31743766	33.09	18
GU30613660	33.25	9	GU30759600	33.32	39	GU31744265	33.09	22
GU30613760	33.25	10	GU30761960	33.07	5	GU31744765	33.09	23
GU30613760	33.26	10	GU30762060	33.07	6	GU31745865	33.10	15
GU30620360	33.25	5	GU30763060	33.07	40	GU31750665	33.09	13
GU30630660	33.26	1	GU30764160	33.07	19	GU31750666	33.09	13
GU30630760	33.26	30	GU30764960	33.07	9	GU31753765	33.09	16
GU30631160	33.26	2	GU30766560	33.07	13	GU31753765	33.10	12
GU30631430	33.26	3	GU30766960	33.07	21	GU31769465	33.18	31
GU30632460	33.26	6	GU30766961	33.07	20	GU31781565	33.24	13
GU30633360	33.26	15	GU30769560	33.29	30	GU31781665	33.12	42
GU30634160	33.26	27	GU30900060	33.20	10	GU31781665	33.24	13
GU30635860	33.26	9	GU30917860	33.28	24	GU31912760	33.20	17
GU30638660	33.13	20	GU30917960	33.28	24	GU35755780	33.07	29



Code	Drawing Nr.	Pos.	Code	Drawing Nr.	Pos.	Code	Drawing Nr.	Pos.
GU35935970	34.37	5	GU89000103	33.28	1	GU91181210	33.30	5
GU37045006	34.33	26	GU89000119	33.28	1	GU91551010	33.10	7
GU37061506	34.33	42	GU89000120	33.27	4	GU91551010	33.19	17
GU37062205	34.33	43	GU89000122	33.20	11	GU91551010	33.19	5
GU37219408	34.36	13	GU89000123	33.27	5	GU91551010	33.27	16
GU37223808	34.49	1	GU89000124	33.20	1	GU91551080	33.14	14
GU37223908	34.49	2	GU89000164	33.28	1	GU91551080	33.32	8
GU37703805	34.43	2	GU89000165	33.08	1	GU91551085	33.07	25
GU37712306	34.43	9	GU90118152	34.51	36	GU91551085	33.27	19
GU37712405	34.43	1	GU90271008	33.46	7	GU91551099	33.20	12
GU39094200	33.17	2	GU90271020	33.13	17	GU91551120	33.16	30
GU39103400	33.30	14	GU90271022	33.25	14	GU91551120	33.17	13
GU39103500	33.30	16	GU90271022	33.26	13	GU91551131	33.16	3
GU39663801	33.15	4	GU90271229	34.49	4	GU91551131	33.28	10
GU39922200	33.20	21	GU90272047	33.25	8	GU91600450	34.43	10
GU43083810	34.34	3	GU90272047	33.26	8	GU91702355	34.33	3
GU43262180	33.23	14	GU90272062	33.13	13	GU92201070	33.06	26
GU43934000	34.37	54	GU90280009	33.10	19	GU92201417	34.50	13
GU49938900	34.37	10	GU90351038	34.33	23	GU92204220	33.25	7
GU53937200	34.37	12	GU90353016	34.51	8	GU92204220	33.26	7
GU55234700	34.50	30	GU90353037	34.49	5	GU92204230	33.13	14
GU55235000	34.34	22	GU90402840	34.38	17	GU92218424	34.50	7
GU55235001	34.34	22	GU90403040	33.13	7	GU92234717	34.50	8
GU55235002	34.34	22	GU90403547	34.50	2	GU92249217	33.13	8
GU55235003	34.34	22	GU90403548	34.50	31	GU92249225	33.29	5
GU61013800	33.11	7	GU90403850	33.06	10	GU92249227	33.06	14
GU61013800	33.14	7	GU90405367	34.38	32	GU92251022	34.34	7
GU61013800	33.19	8	GU90407085	33.06	27	GU92251030	34.34	30
GU61013800	33.23	20	GU90706092	33.29	18	GU92251030	34.36	20
GU61013800	33.23	37	GU90706094	34.51	12	GU92252210	34.48	3
GU61013800	33.24	15	GU90706140	34.50	12	GU92254316	34.49	3
GU61013800	33.26	25	GU90706141	33.31	12	GU92254340	33.06	12
GU61013800	33.29	29	GU90706141	33.32	19	GU92256218	34.50	3
GU61013800	33.30	18	GU90706170	34.42	11	GU92258525	34.36	16
GU61013800	33.31	6	GU90706178	34.38	37	GU92259017	34.34	6
GU61013800	33.32	24	GU90706178	34.43	8	GU92295702	34.34	15
GU61013800	33.35	15	GU90706203	33.06	7	GU92295704	33.24	6
GU61013800	33.46	25	GU90706203	34.34	31	GU92295708	33.15	9
GU61013800	33.47	8	GU90706203	34.36	6	GU92296750	34.36	18
GU61013800	34.40	15	GU90706203	34.50	24	GU92601002	33.15	26
GU61013800	34.41	18	GU90706203	34.51	14	GU92601003	33.32	33
GU61013800	34.41	5	GU90706219	34.34	28	GU92601206	33.19	9
GU61270300	33.05	30	GU90706235	33.12	21	GU92601206	33.24	10
GU61270300	33.06	21	GU90706235	34.36	4	GU92602205	33.05	20
GU61270300	33.20	5	GU90706282	33.12	22	GU92602206	33.18	24
GU61270300	33.21	25	GU90706298	33.12	46	GU92602206	33.21	6
GU61270300	33.23	16	GU90706313	34.38	39	GU92602206	33.23	21
GU61270300	33.29	14	GU90706490	33.26	21	GU92602206	33.30	10
GU61270300	33.30	9	GU90706584	33.06	16	GU92602206	33.30	19
GU61270300	33.44	20	GU90706584	33.13	19	GU92602206	33.31	22
GU61270300	33.46	5	GU90714053	33.11	16	GU92602206	33.32	26
GU61270300	33.47	5	GU90714082	33.11	19	GU92602206	33.39	8
GU61270300	34.33	38	GU90718370	33.44	3	GU92602206	33.46	22
GU61270300	34.38	12	GU91111511	34.51	32	GU92602206	33.47	12
GU63657000	33.23	35	GU91112128	34.33	14	GU92602208	33.23	8
GU65061300	34.48	35	GU91180602	33.21	23	GU92602208	34.38	6
GU65663500	33.22	7	GU91180605	33.30	17	GU92602210	33.12	30
GU65933700	34.37	32	GU91180605	33.32	41	GU92602308	34.48	5
GU66468115	33.30	34	GU91180607	33.07	26	GU92602312	33.05	16
GU66478610	33.27	8	GU91180607	33.14	15	GU92602312	33.21	14
GU66478610	33.29	20	GU91180607	33.18	10	GU92602312	33.21	33
GU66935910	34.37	5	GU91180607	33.32	9	GU92602312	33.30	7
GU89000080	33.28	1	GU91180725	33.30	28	GU92602508	33.05	31
GU89000081	33.28	1	GU91180806	33.19	16	GU92602508	34.42	15
GU89000082	33.27	4	GU91180806	33.19	4	GU92602512	33.21	32
GU89000083	33.27	4	GU91181005	33.09	20	GU92602512	33.46	16
GU89000084	33.27	5	GU91181110	33.12	4	GU92602512	33.47	19

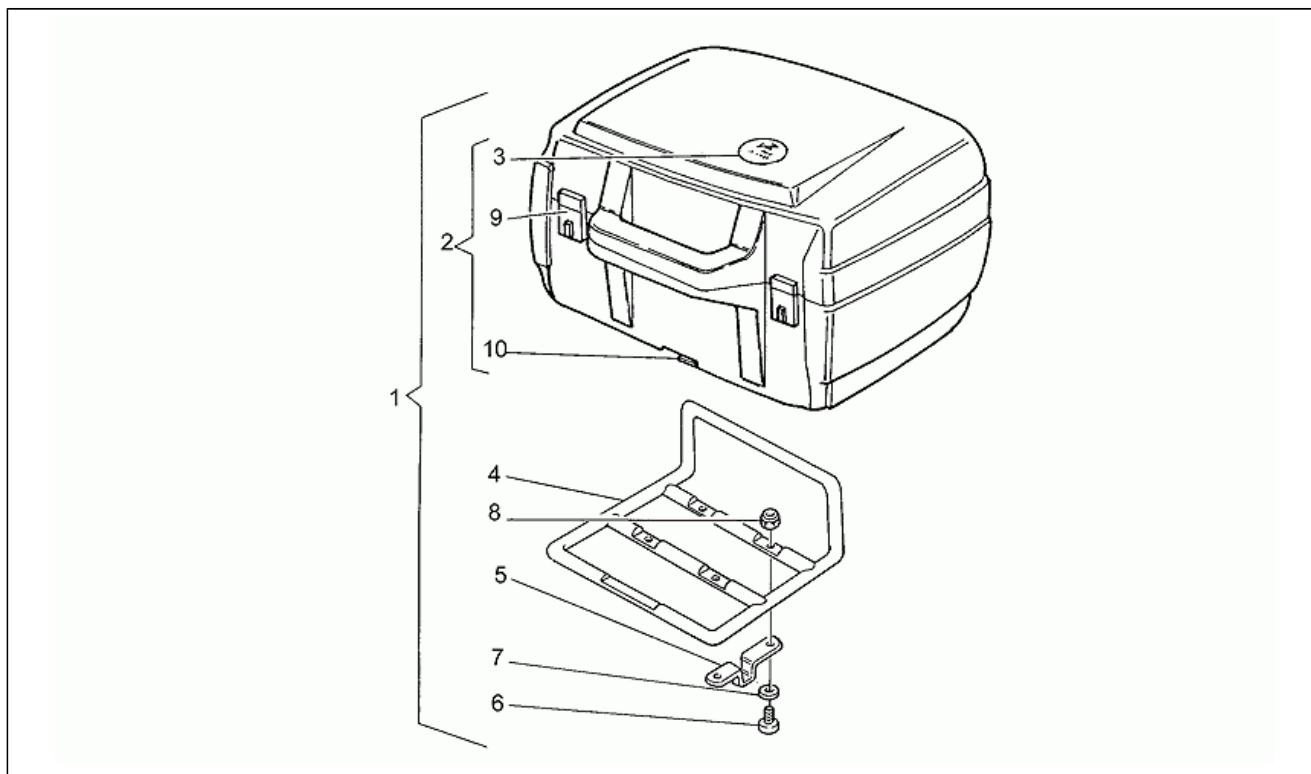


Code	Drawing Nr.	Pos.	Code	Drawing Nr.	Pos.	Code	Drawing Nr.	Pos.
GU92602512	34.50	15	GU93305017	33.11	13	GU95004217	33.25	20
GU92602516	33.17	5	GU93305017	34.41	8	GU95007204	34.40	24
GU92602518	34.33	35	GU93305017	34.48	29	GU95007208	33.03	10
GU92602525	34.33	6	GU93305057	33.35	5	GU95007208	33.06	35
GU92603010	34.51	20	GU93305060	33.11	10	GU95007208	33.44	14
GU92603516	34.43	4	GU93305060	33.13	10	GU95007208	34.38	5
GU92630104	33.10	17	GU93305060	34.40	6	GU95021104	33.31	19
GU92630104	33.16	29	GU93305078	33.13	11	GU95021104	33.32	27
GU92630104	33.32	37	GU93450119	33.09	12	GU95021108	33.05	27
GU92630106	33.01	8	GU93450127	33.09	15	GU95021108	33.23	7
GU92630106	33.02	6	GU93450127	33.10	11	GU95021110	33.21	39
GU92630106	33.07	27	GU93450140	33.07	18	GU95021112	33.21	31
GU92630106	33.09	26	GU93450224	33.10	3	GU95021112	33.30	6
GU92630106	33.18	12	GU93450232	33.09	4	GU95028022	34.36	2
GU92630106	33.46	26	GU93601022	34.36	1	GU95028025	34.33	5
GU92630106	33.47	23	GU93601026	34.33	6	GU95100116	33.12	12
GU92630108	33.21	11	GU94321007	33.24	7	GU95100116	33.35	10
GU92630110	33.05	11	GU94321051	34.36	19	GU95100116	34.40	13
GU92630110	33.05	24	GU94321067	34.50	29	GU95100118	33.14	19
GU92630110	33.19	12	GU94321070	34.40	20	GU95100118	33.32	6
GU92630110	33.19	20	GU94321072	34.48	15	GU95100120	33.10	8
GU92630205	33.20	18	GU94321079	34.48	15	GU95100121	33.27	21
GU92630206	33.10	9	GU94321105	34.42	13	GU95100121	33.31	8
GU92630206	33.14	20	GU94322185	33.46	15	GU95100121	33.39	7
GU92630206	33.23	10	GU94322185	33.47	18	GU95100144	33.19	15
GU92630206	33.29	13	GU94322215	34.51	35	GU95100144	33.19	3
GU92630206	33.32	7	GU95000204	33.10	16	GU95100173	33.23	30
GU92630508	33.03	14	GU95000204	33.32	36	GU95100218	33.27	22
GU92630508	33.25	17	GU95000205	33.11	5	GU95100239	33.28	9
GU92630508	33.30	39	GU95000205	33.20	19	GU95100239	33.29	25
GU92630508	33.44	13	GU95000206	33.01	7	GU95100253	33.23	41
GU92660208	33.09	21	GU95000206	33.02	5	GU95100304	34.38	42
GU92660208	33.11	21	GU95000206	33.09	25	GU95100332	33.10	20
GU92660208	33.44	19	GU95000206	33.18	9	GU95100332	33.15	22
GU92660601	33.27	9	GU95000206	33.20	7	GU95100332	33.16	27
GU92660601	33.30	13	GU95000206	33.22	9	GU95100333	33.15	22
GU92660601	33.31	7	GU95000206	33.23	9	GU95100333	33.16	27
GU92660601	33.32	10	GU95000206	33.29	12	GU95100409	33.46	14
GU92660601	34.41	6	GU95000206	33.30	38	GU95100409	33.47	17
GU92660601	34.43	14	GU95000206	34.43	13	GU95100414	33.21	30
GU92660801	33.28	11	GU95000208	33.04	6	GU95100523	34.48	18
GU92690073	33.23	27	GU95000210	33.19	21	GU95100535	33.29	24
GU92690073	33.46	10	GU95000213	33.05	13	GU95100628	33.17	4
GU92700073	33.21	11	GU95000213	33.21	13	GU95100709	34.38	25
GU92731090	34.33	15	GU95001206	33.21	36	GU95100837	34.33	5
GU92781062	33.35	14	GU95001206	33.24	9	GU95120032	33.32	32
GU92781062	33.47	7	GU95001206	33.28	18	GU95120065	34.33	31
GU92781062	34.40	16	GU95001208	33.28	16	GU95120065	34.48	33
GU92781081	33.06	5	GU95004205	33.07	22	GU95120065	34.51	39
GU92781081	33.21	26	GU95004205	33.31	15	GU95120085	34.48	6
GU92781081	33.44	7	GU95004205	33.32	42	GU95129110	33.23	23
GU92781081	34.38	41	GU95004206	33.23	40	GU95129110	33.46	18
GU93110082	33.28	14	GU95004206	33.35	12	GU95129130	33.21	22
GU93180050	33.20	8	GU95004206	34.38	27	GU95129130	33.23	29
GU93180080	33.20	16	GU95004206	34.40	11	GU95129180	33.15	21
GU93180080	33.30	30	GU95004206	34.48	16	GU95129180	33.16	19
GU93180111	33.12	45	GU95004206	34.51	43	GU95129180	33.16	7
GU93180216	33.30	43	GU95004208	33.03	15	GU95129180	34.51	16
GU93180220	34.50	22	GU95004208	33.29	26	GU95187006	34.48	10
GU93180245	33.06	32	GU95004208	33.30	37	GU95187008	33.06	22
GU93180245	33.21	35	GU95004208	33.44	12	GU95500222	33.23	24
GU93180245	34.50	36	GU95004210	33.05	23	GU95500222	33.46	19
GU93221315	33.32	35	GU95004210	33.05	8	GU95500222	34.42	17
GU93222020	33.31	21	GU95004210	33.09	8	GU95512081	34.38	8
GU93222020	33.32	28	GU95004210	33.12	3	GU95512081	34.50	9
GU93231606	33.21	7	GU95004210	33.13	3	GU95522508	33.30	32
GU93305008	33.08	13	GU95004217	33.12	7	GU95740175	33.23	28



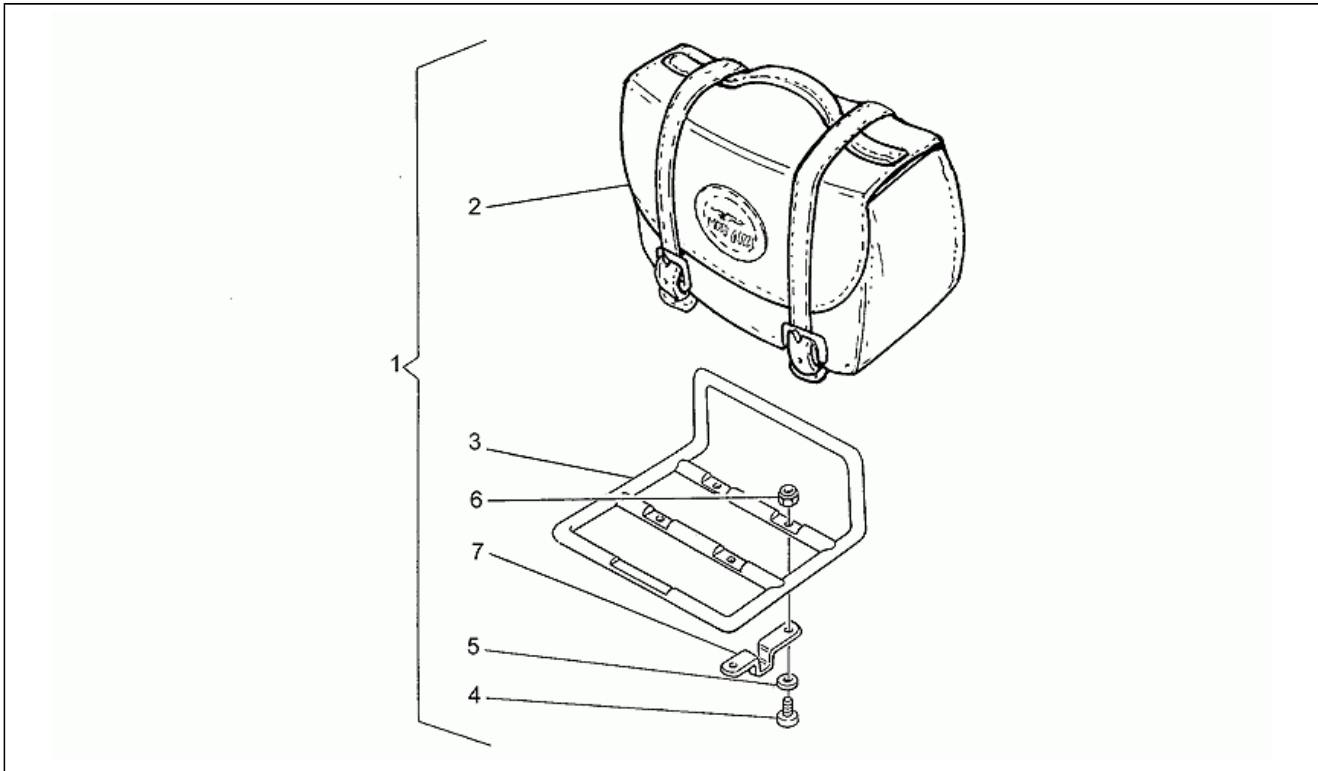
Code	Drawing Nr.	Pos.	Code	Drawing Nr.	Pos.	Code	Drawing Nr.	Pos.
GU95770265	33.23	22	GU98230621	33.01	6	GU98622316	34.43	12
GU95770265	33.46	17	GU98230621	33.02	4	GU98622316	34.50	5
GU95780271	34.42	16	GU98230621	33.10	4	GU98622318	33.31	5
GU95980214	33.06	8	GU98230626	33.27	18	GU98622318	34.41	4
GU95980214	34.50	25	GU98230812	33.30	22	GU98622320	33.22	2
GU95980610	34.50	32	GU98230816	33.09	19	GU98622320	33.32	5
GU95985223	33.11	18	GU98230816	33.20	4	GU98622325	33.35	11
GU95990028	33.15	11	GU98230816	33.23	15	GU98622325	34.38	18
GU95990028	33.16	4	GU98230816	33.28	15	GU98622325	34.40	10
GU95990028	33.23	32	GU98230816	33.29	15	GU98622325	34.50	16
GU95990037	34.48	24	GU98230816	33.29	17	GU98622325	34.51	4
GU96506039	33.35	13	GU98230816	33.46	4	GU98622420	33.30	40
GU96506039	34.40	14	GU98230816	33.47	4	GU98622425	33.12	33
GU96506051	33.30	26	GU98230830	33.28	8	GU98622430	33.26	16
GU96508042	34.51	41	GU98230835	33.27	14	GU98622430	34.48	7
GU96508045	33.06	3	GU98230835	33.44	18	GU98622525	33.12	27
GU96508066	34.38	3	GU98230841	33.27	14	GU98622525	33.15	20
GU96508075	34.38	4	GU98230841	33.44	18	GU98622525	33.16	18
GU98052235	33.07	24	GU98230845	33.30	8	GU98622525	33.16	6
GU98052325	33.46	24	GU98231022	33.21	38	GU98623635	33.21	27
GU98052325	33.47	22	GU98231023	33.09	9	GU98660435	33.18	18
GU98052390	34.38	26	GU98231035	33.19	11	GU98820545	33.12	26
GU98052435	33.21	10	GU98231045	33.19	18	GU98822314	33.20	6
GU98052435	34.33	39	GU98250820	34.38	40	GU98822316	34.50	21
GU98052440	33.05	28	GU98280410	33.16	28	GU98822325	34.50	35
GU98052475	34.45	10	GU98310610	33.35	9	GU99210210	33.07	16
GU98052480	33.25	15	GU98310610	34.40	12	GU99210422	33.10	18
GU98052535	33.13	2	GU98310630	34.38	14			
GU98052545	33.05	7	GU98326016	33.27	7			
GU98052550	33.05	34	GU98326021	33.19	14			
GU98053660	33.46	13	GU98326021	33.19	2			
GU98054116	33.32	40	GU98450108	33.12	43			
GU98054210	33.11	20	GU98470206	33.12	44			
GU98054216	33.05	19	GU98610110	33.32	30			
GU98054230	33.07	24	GU98612110	34.40	23			
GU98054312	33.26	26	GU98612312	34.41	17			
GU98054312	33.30	29	GU98612320	33.09	27			
GU98054314	33.21	21	GU98612325	33.19	7			
GU98054316	33.30	15	GU98612422	33.03	9			
GU98054316	34.48	9	GU98620222	33.07	39			
GU98054316	34.51	38	GU98620225	33.11	4			
GU98054318	33.23	36	GU98620230	33.11	4			
GU98054320	33.07	23	GU98620265	34.43	6			
GU98054320	34.33	30	GU98620335	33.18	18			
GU98054320	34.48	37	GU98620335	34.38	19			
GU98054322	33.10	5	GU98620335	34.50	17			
GU98054325	33.29	11	GU98620360	34.38	35			
GU98054340	33.18	8	GU98620435	33.12	35			
GU98054412	33.22	5	GU98620440	33.23	6			
GU98054416	33.05	35	GU98620540	33.12	6			
GU98054416	33.30	36	GU98620560	33.12	2			
GU98054418	33.05	26	GU98621650	33.21	28			
GU98054420	34.33	12	GU98621650	33.30	4			
GU98054425	33.04	5	GU98622125	33.31	18			
GU98054425	33.06	20	GU98622125	33.32	25			
GU98054425	34.38	11	GU98622210	33.31	14			
GU98074312	33.19	10	GU98622210	33.32	17			
GU98074345	33.21	34	GU98622218	33.07	7			
GU98107035	33.21	10	GU98622310	33.14	18			
GU98200214	33.15	8	GU98622310	33.22	8			
GU98230612	33.10	13	GU98622310	33.29	28			
GU98230612	33.11	6	GU98622310	33.31	20			
GU98230612	33.28	17	GU98622310	33.32	23			
GU98230615	33.24	14	GU98622312	33.14	4			
GU98230616	33.09	24	GU98622312	33.31	9			
GU98230619	33.24	5	GU98622316	33.12	11			
GU98230620	33.21	5	GU98622316	33.14	13			

Assembly	FRAME
Code	33.01
Description	Top box
Revision	1



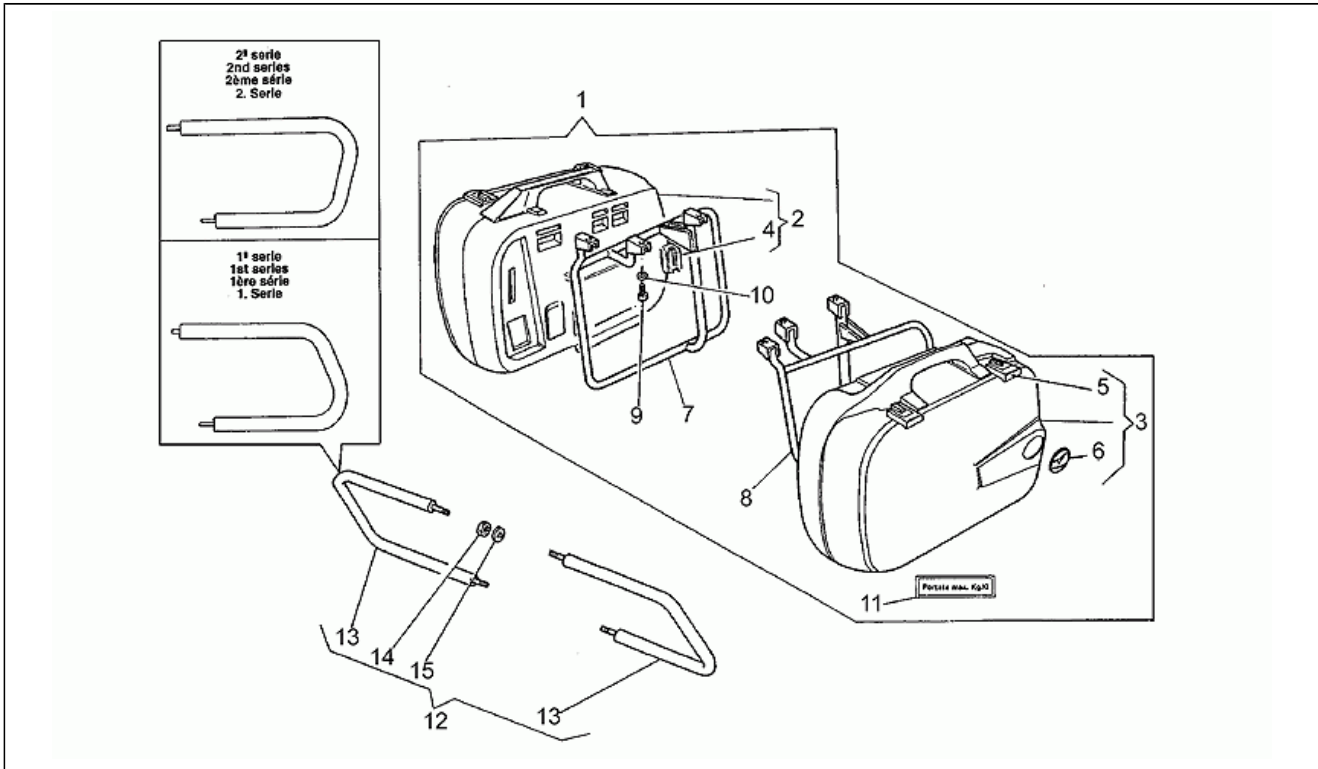
Pos.	Code	Description	Q.ty	Variants
1	GU31487565	Rigid top box kit	1	
2	GU31487665	Top box 40 L	1	
3	GU31482066	Decal "Moto Guzzi"	1	
4	GU31487765	Support plate	1	
5	GU31487865	RH clamp	1	
5	GU31487866	LH clamp	1	
6	GU98230621	Screw M6X20	4	
7	GU95000206	Washer	4	
8	GU92630106	Nut M6x1	4	
9	GU31484066	Cover lock	2	
10	GU31484065	Top box lock	1	

Assembly	FRAME
Code	33.02
Description	Leather top case
Revision	1



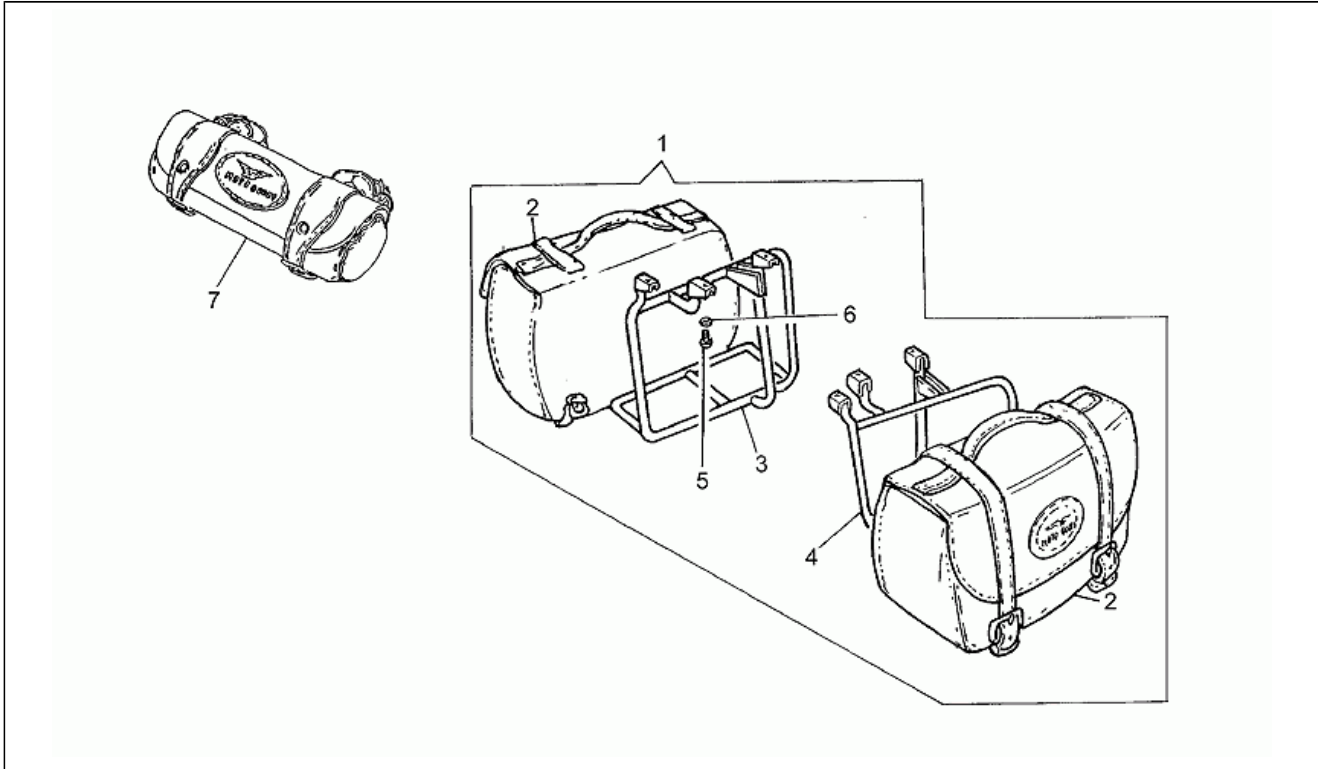
Pos.	Code	Description	Q.ty	Variants
1	GU29487555	Leather top box kit	1	
2	GU29487655	Leather top case	1	
3	GU31487765	Support plate	1	
4	GU98230621	Screw M6X20	4	
5	GU95000206	Washer	1	
6	GU92630106	Nut M6x1	4	
7	GU31487865	RH clamp	1	
7	GU31487866	LH clamp	1	

Assembly	FRAME
Code	33.03
Description	Side cases
Revision	1



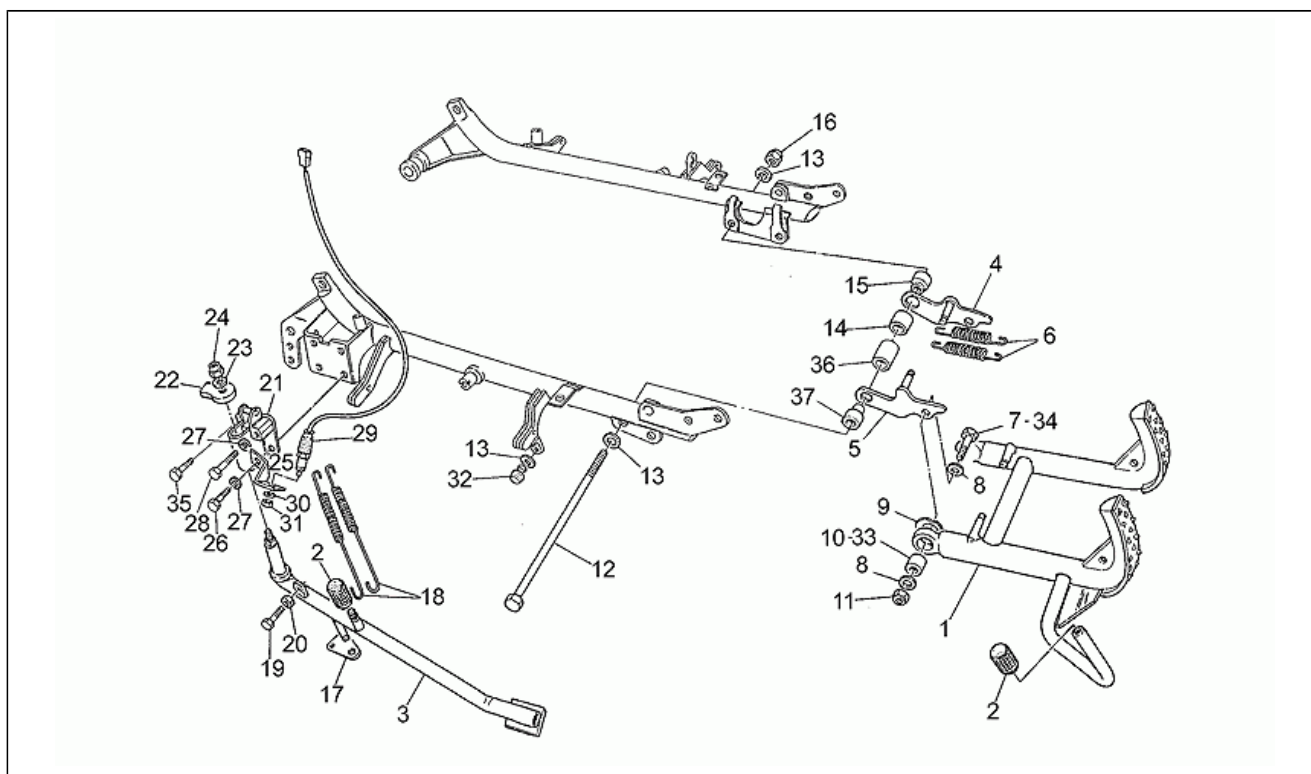
Pos.	Code	Description	Q.ty	Variants
1	GU30480060	Suitcase kit 40 L	1	
1	GU30480061	Suitcase kit 30 L	1	
2	GU30482560	RH suitcase 40 L	1	
2	GU31482565	RH suitcase 30 L	1	
3	GU30485760	LH suitcase 40 L	1	
3	GU31485765	LH suitcase 30 L	1	
4	GU31484065	Top box lock	2	
5	GU31484066	Cover lock	4	
6	GU31482065	Name plate "Moto Guzzi"	2	
7	GU30485060	RH bag support	1	
8	GU30486560	LH bag support	1	
9	GU98612422	Screw	6	
10	GU95007208	Washer	6	
11	GU29482400	Name plate Kg.10	2	
12	GU29459851	Rear bumper kit	1	
13	GU29458251	Rear bumper	2	Technical Specifications: Up to engine KC13839-KD14711[M1]
13	GU30458260	Rear bumper	2	Technical Specifications: From engine KC13840-KD14712[M2]
14	GU92630508	Nut	2	
15	GU95004208	Washer	2	

Assembly	FRAME
Code	33.04
Description	Leather side cases
Revision	1



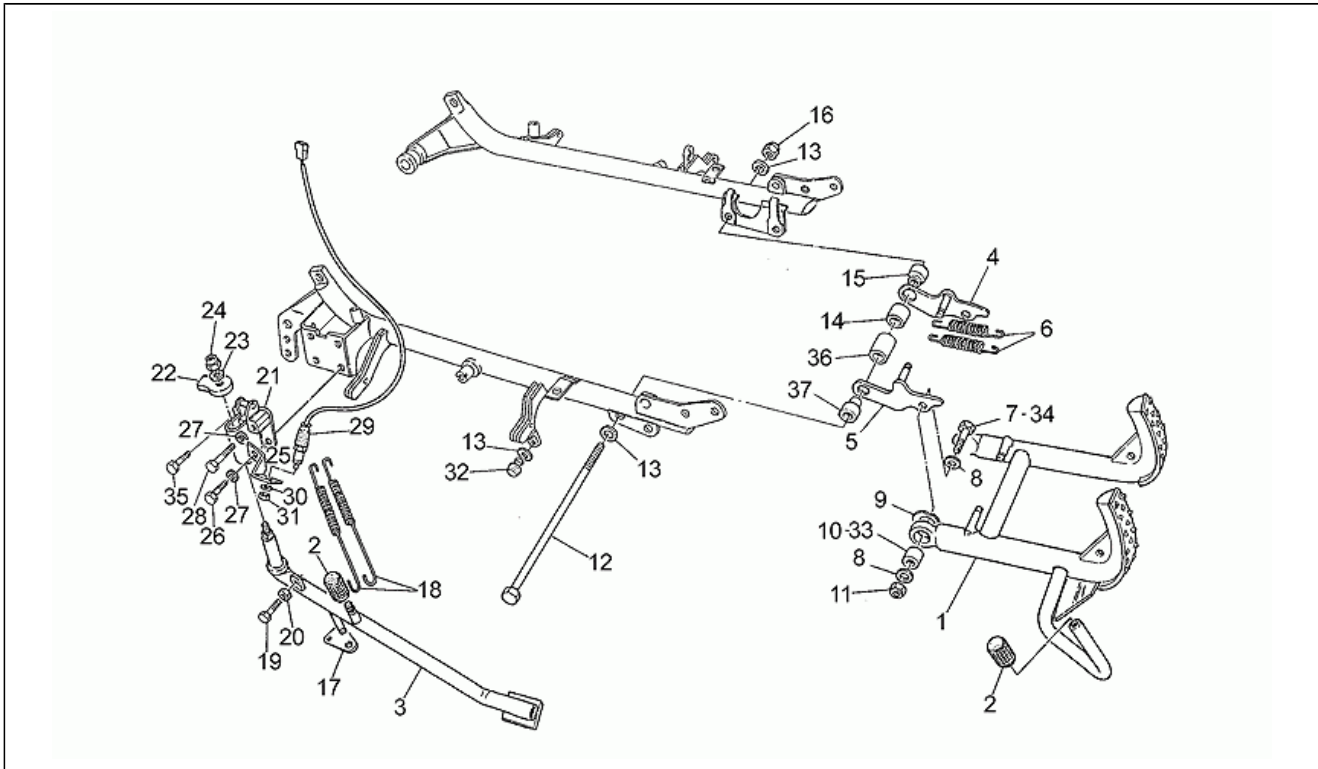
Pos.	Code	Description	Q.ty	Variants
1	GU30480065	Leather cases assy	1	
2	GU29482555	Leather side cases	2	
3	GU30485065	RH support	1	
4	GU30486565	LH support	1	
5	GU98054425	Screw M8X25	6	
6	GU95000208	Washer	6	
7	GU29479555	Toolkit	1	

Assembly	FRAME
Code	33.05
Description	Stands
Revision	1



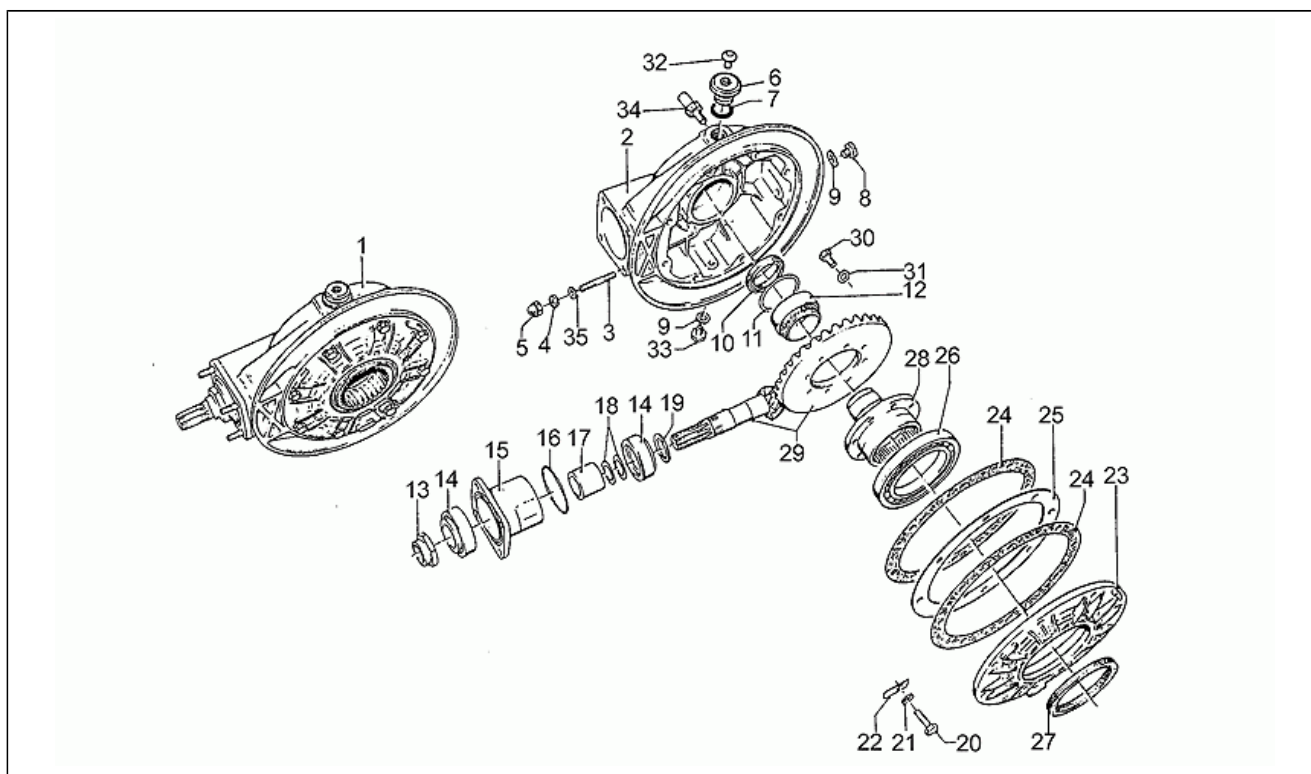
Pos.	Code	Description	Q.ty	Variants
1	GU30430360	Central stand	1	
2	GU13432640	Rubber pedal	2	
3	GU30432060	Lateral stand	1	
4	GU14432900	RH plate	1	
5	GU14433200	LH plate	1	
6	GU18434060	Spring	2	
7	GU98052545	Screw	1	
8	GU95004210	Washer 10,2x18x2	2	
9	GU14433400	Spring washer 19x34x1,5	2	
10	GU14433500	LH bush	1	
11	GU92630110	Nut M10X1,5	2	
12	GU14429600	Screw	1	
13	GU95000213	Washer	3	
14	GU30429960	RH inner spacer	1	
15	GU30429860	RH outer spacer	1	
16	GU92602312	Nut	2	
17	GU18432760	Plate	1	
18	GU14434000	Spring	2	
19	GU98054216	Screw	1	
20	GU92602205	Nut	1	
21	GU13433440	Block	1	
22	GU13432741	Lock	1	
23	GU95004210	Washer 10,2x18x2	1	
24	GU92630110	Nut M10X1,5	1	
25	GU29433850	Clamp	1	
26	GU98054418	Screw	1	
27	GU95021108	Spring washer	4	
28	GU98052440	Screw	1	

Assembly	FRAME
Code	33.05
Description	Stands
Revision	1



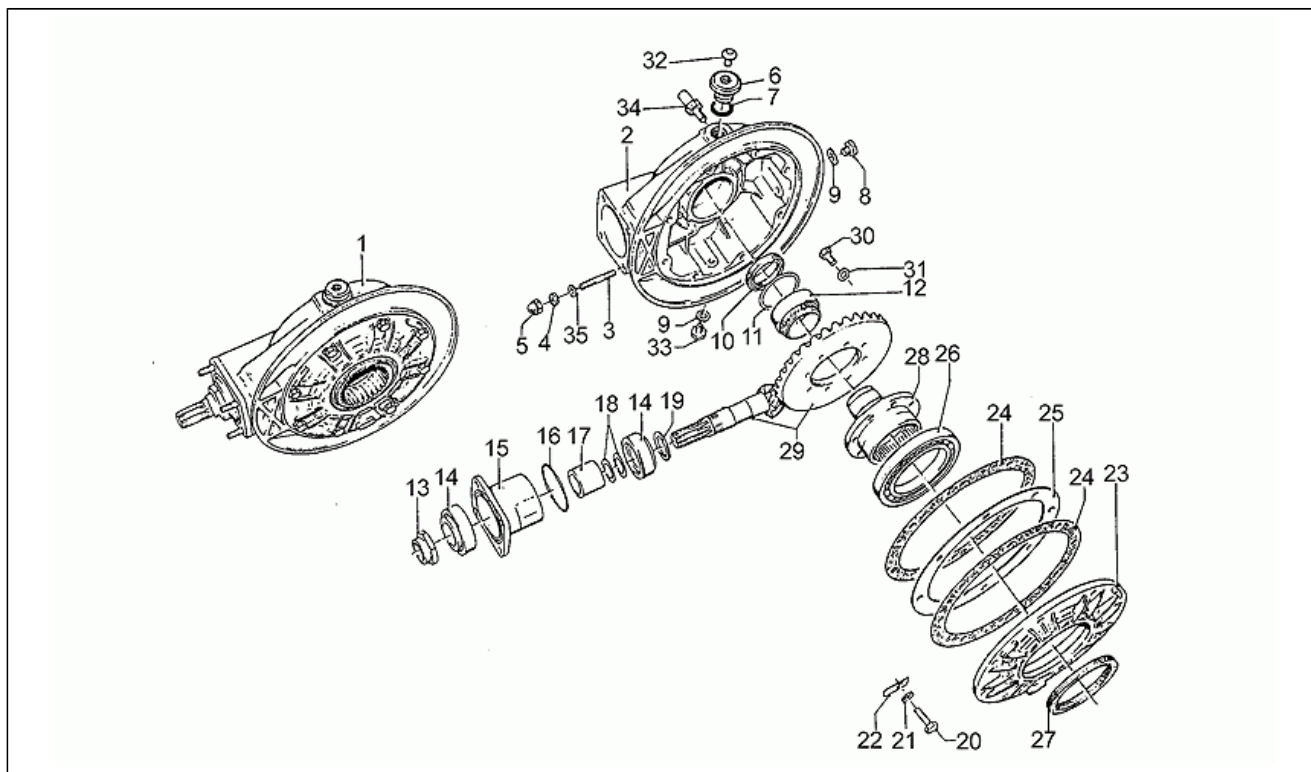
Pos.	Code	Description	Q.ty	Variants
29	GU29759150	Lateral stand switch	1	
30	GU61270300	Spring washer 8x15x0,3	1	
31	GU92602508	Nut M8X1	1	
32	GU12433000	Drift	1	
33	GU30433560	RH bush	1	
34	GU98052550	Screw	1	
35	GU98054416	Hex screw M8X16	2	
36	GU30429760	LH inner spacer	1	
37	GU14429900	LH outer spacer	1	

Assembly	FRAME
Code	33.06
Description	Bevel gear
Revision	1



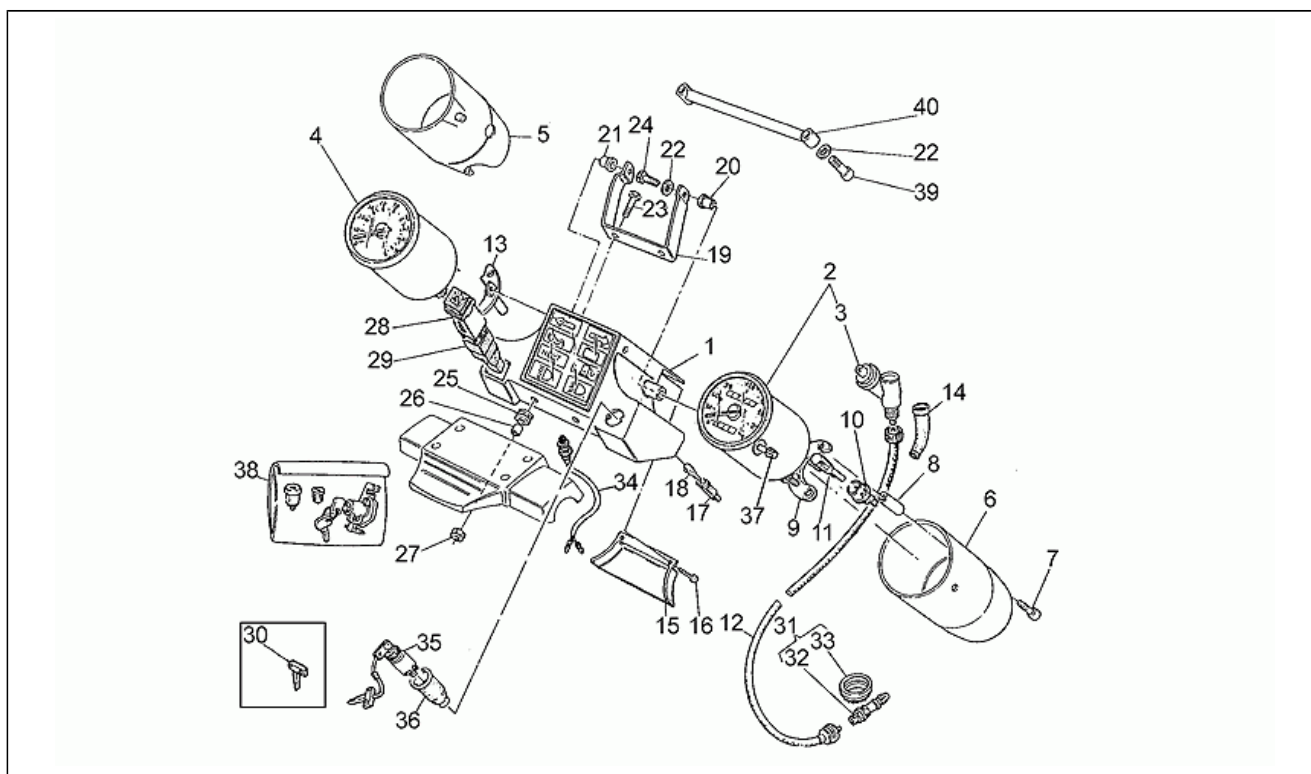
Pos.	Code	Description	Q.ty	Variants
1	GU30350262	Transmission complete 8/33	1	Technical Specifications: California 1100 cc[KC/KD]
1	GU30350285	Transmission complete 7/33	1	Technical Specifications: California 1000 cc[KG/KH]
2	GU30350360	Transmission housing	1	
3	GU96508045	Stud bolt 8x46	4	
4	GU14615901	Washer 8,4X13X0,8	4	
5	GU92781081	Nut	4	
6	GU19351200	Oil plug	1	
7	GU90706203	O-ring 20,24X2,62	1	
8	GU95980214	Oil level plug	1	
9	GU10528900	Gasket	2	
10	GU90403850	Gasket ring	1	
11	GU12351100	Gasket ring	1	
12	GU92254340	Roller bearing 40x55x17	1	
13	GU30356760	Nut	1	
14	GU92249227	Tap.roller bearing 25x5	2	
15	GU18352400	Flange	1	
16	GU90706584	Gasket 58,42x2,62	1	
17	GU18355100	Spacer	1	
18	GU12355202	Shim 0,1 mm	1	
18	GU12355203	Shim 0,15 mm	1	
19	GU19355320	Spacer 1 mm	1	
19	GU19355321	Spacer 1,1 mm	1	
19	GU19355322	Spacer 1,2 mm	1	
19	GU19355323	Spacer 1,3 mm	1	
19	GU19355324	Spacer 1,4 mm	1	
19	GU19355325	Spacer 1,5 mm	1	
19	GU19355326	Spacer 1,6 mm	1	
19	GU19355327	Spacer 1,7 mm	1	

Assembly	FRAME
Code	33.06
Description	Bevel gear
Revision	1



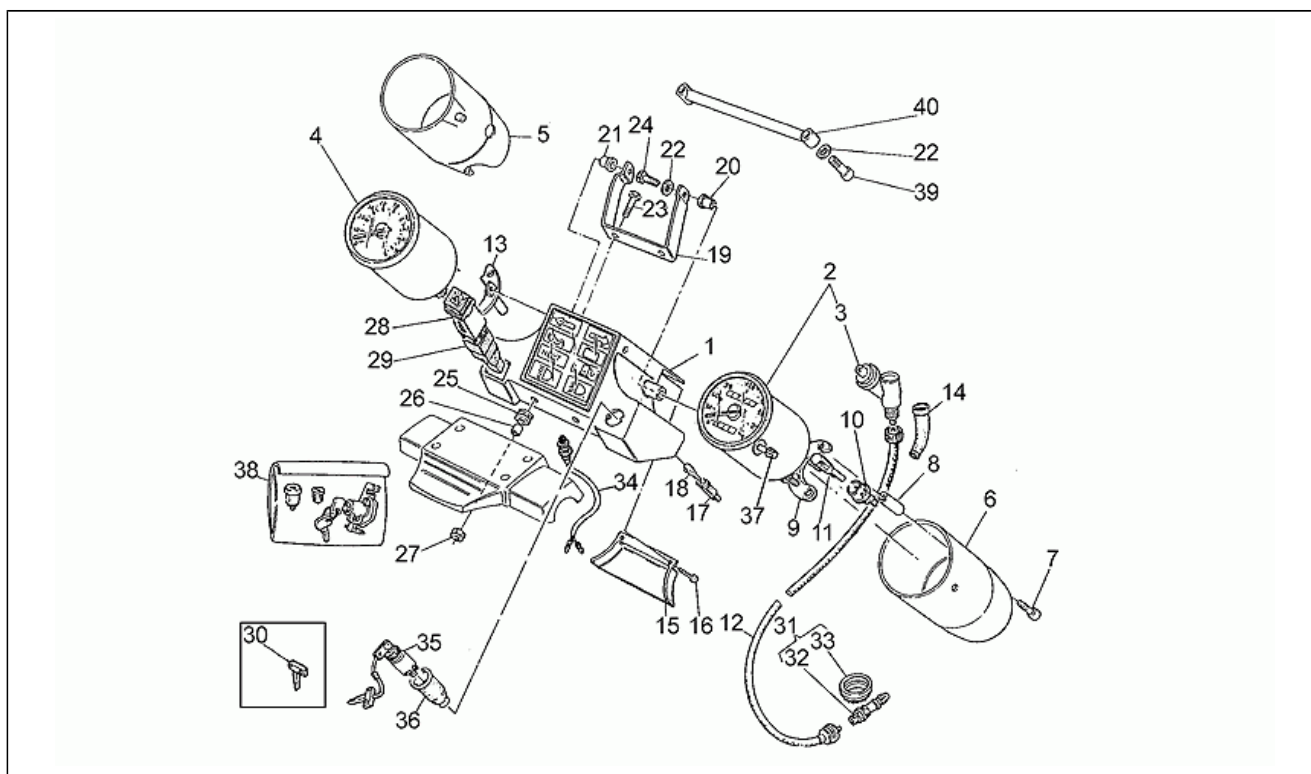
Pos.	Code	Description	Q.ty	Variants
19	GU19355328	Spacer 1,8 mm	1	
19	GU19355329	Spacer 1,9 mm	1	
20	GU98054425	Screw M8X25	8	
21	GU61270300	Spring washer 8x15x0,3	8	
22	GU95187008	Plate	8	
23	GU17350400	Flange	1	
24	GU17350700	Gasket	2	
25	GU17355400	Spacer 0,8 mm	1	
25	GU17355402	Spacer 0,9 mm	1	
25	GU17355404	Spacer 1 mm	1	
25	GU17355406	Spacer 1,1 mm	1	
25	GU17355408	Spacer 1,2 mm	1	
25	GU17355410	Spacer 1,3 mm	1	
25	GU17355412	Spacer 1,5 mm	1	
26	GU92201070	Ball bearing 70x110x13	1	
27	GU90407085	Gasket ring	1	
28	GU17351400	Drive flange	1	
29	GU17354650	Bevel gear Z=7/33	1	Technical Specifications:California 1000 cc[KG/KH]
29	GU30354602	Bevel gear 8/33	1	Technical Specifications:California 1100 cc[KC/KD]
30	GU12356300	Screw	8	
31	GU14615901	Washer 8,4X13X0,8	8	
32	GU93180245	Plug	1	
33	GU31003766	Oil unload plug M10X1	1	
34	GU30555260	Pin	1	
35	GU95007208	Washer	4	

Assembly	FRAME
Code	33.07
Description	Dashboard
Revision	1



Pos.	Code	Description	Q.ty	Variants
1	GU23760010	Dashboard box assy.	1	
2	GU29761550	Odometer gear KMH	1	
2	GU29762450	Speedometer MPH	1	Country:Great Britain[UK], United States of America[USA]
3	GU23768310	Gear 60°	1	
4	GU29767240	Electronic revolution counter	1	Technical Specifications:Carburettor version (KC frame)[VC]
4	GU29767250	Electronic revolution counter	1	Technical Specifications:Injection version (KD frame)[VI]
5	GU30761960	Tachometer support	1	
6	GU30762060	Odometer support	1	
7	GU98622218	Screw	2	
8	GU29765150	Spacer	2	
9	GU30764960	Plate	1	
10	GU14768650	Lampholder	2	
11	GU17762150	Lamp 12V 3W	2	
12	GU12760400	Speedometer transmission	1	
13	GU30766560	Plate	1	
14	GU17762200	Sheath	1	
15	GU29765250	Lower cover	1	
16	GU99210210	Self-tap screw	2	
17	GU19768680	Lampholder	8	
18	GU93450140	Lamp 12V-1,2W	8	
19	GU30764160	U-bolt	1	
20	GU30766961	Spacer	1	
21	GU30766960	Spacer	1	
22	GU95004205	Washer	4	
23	GU98054320	Hex screw M6X20	2	
24	GU98052235	Screw	1	
24	GU98054230	Screw	1	
25	GU91551085	Rubber spacer	2	

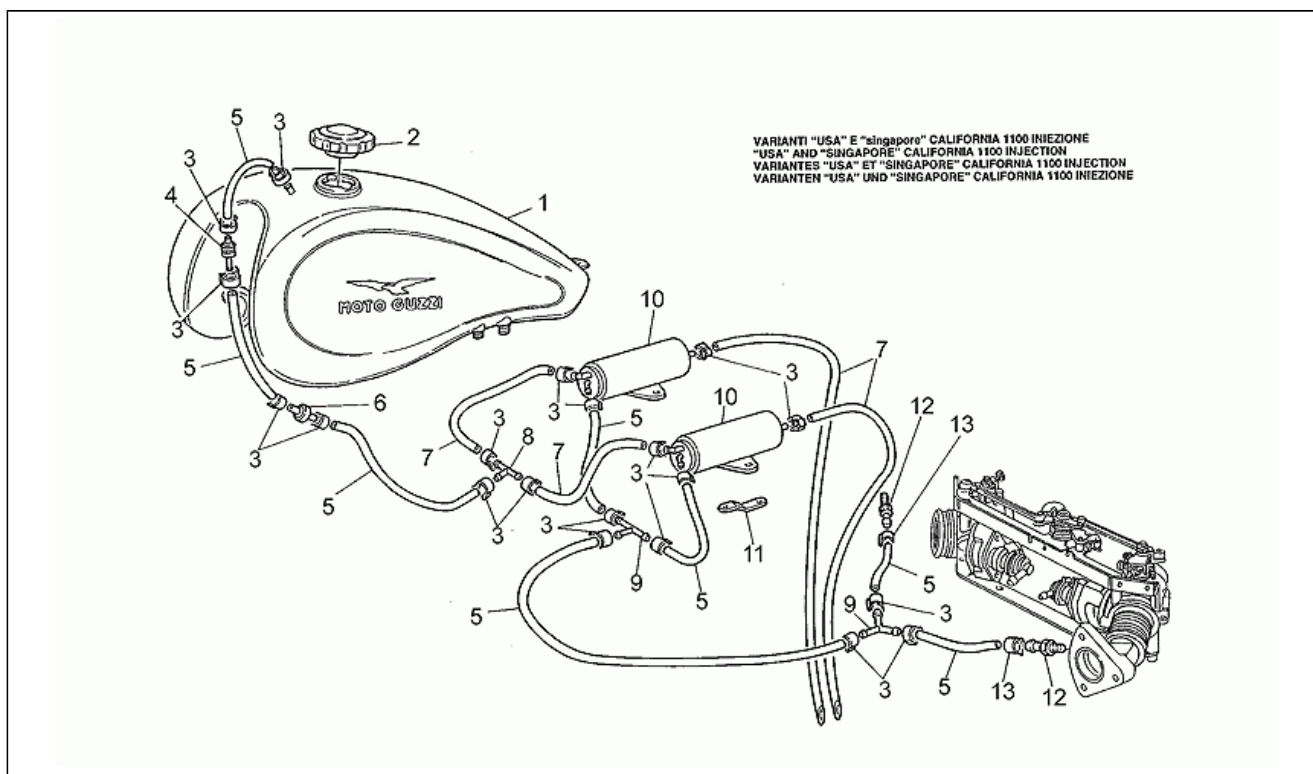
Assembly	FRAME
Code	33.07
Description	Dashboard
Revision	1



Pos.	Code	Description	Q.ty	Variants
26	GU91180607	Spacer	2	
27	GU92630106	Nut M6x1	2	
28	GU28745761	Turn indicator switch	1	
29	GU35755780	Rubber protection	1	
30	GU31735560	Key	1	
31	GU14762510	Gear Z5/11	1	Technical Specifications: California 1000 cc[KG/KH]
31	GU28762540	Odometer gear 5/10	1	Technical Specifications: See technical comm.n.293 of 1995[29395C], California 1100 cc[KC/KD]
32	GU12763310	Gear	1	Technical Specifications: California 1000 cc[KG/KH]
32	GU28763340	Gear	1	Technical Specifications: See technical comm.n.293 of 1995[29395C], California 1100 cc[KC/KD]
33	GU14766110	Chain ring Z11	1	Technical Specifications: California 1000 cc[KG/KH]
34	GU29727860	Led	1	
35	GU31735360	Main switch	1	
36	GU19741336	Ring nut	1	
37	GU28762860	Knob	1	
38	GU30736860	Lock hardware kit	1	
39	GU98620222	Screw	2	
40	GU30763060	Instrument support	1	

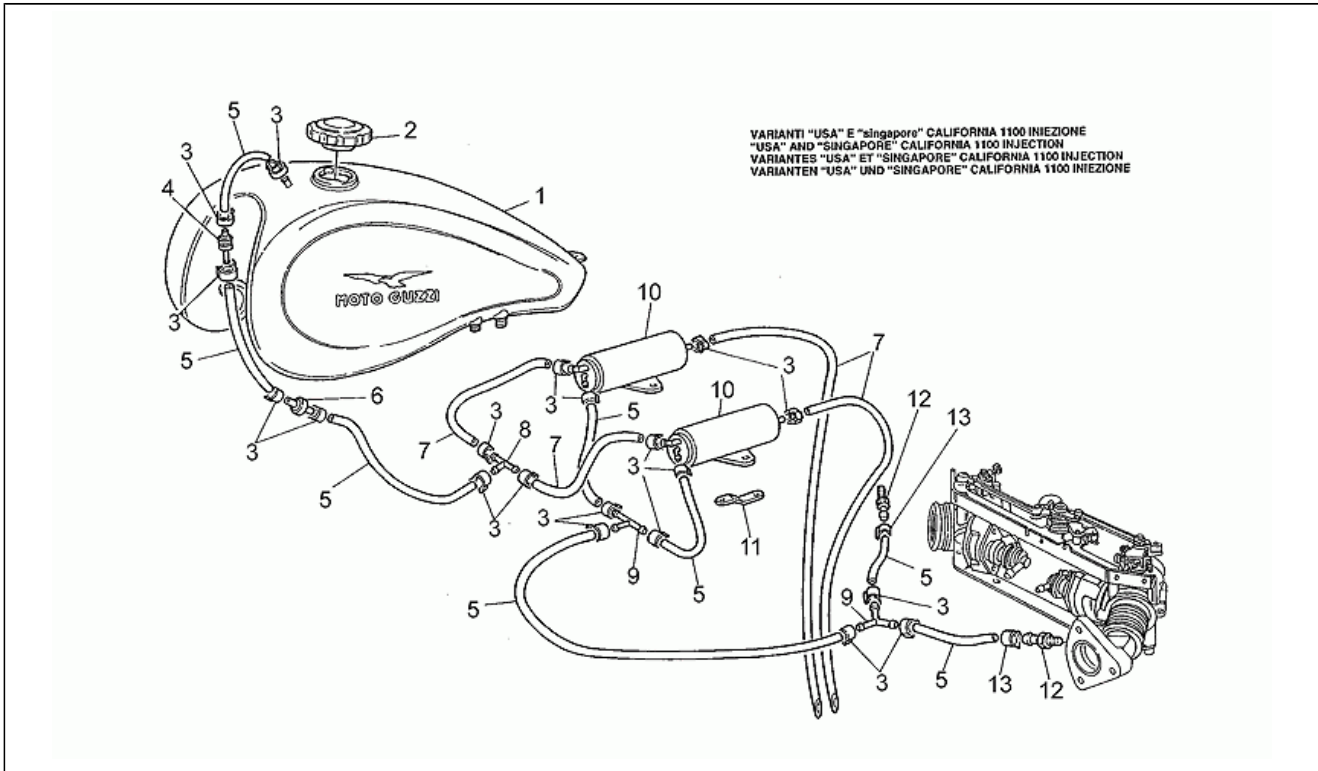


Assembly	FRAME
Code	33.08
Description	Fuel vapour recover system
Revision	1



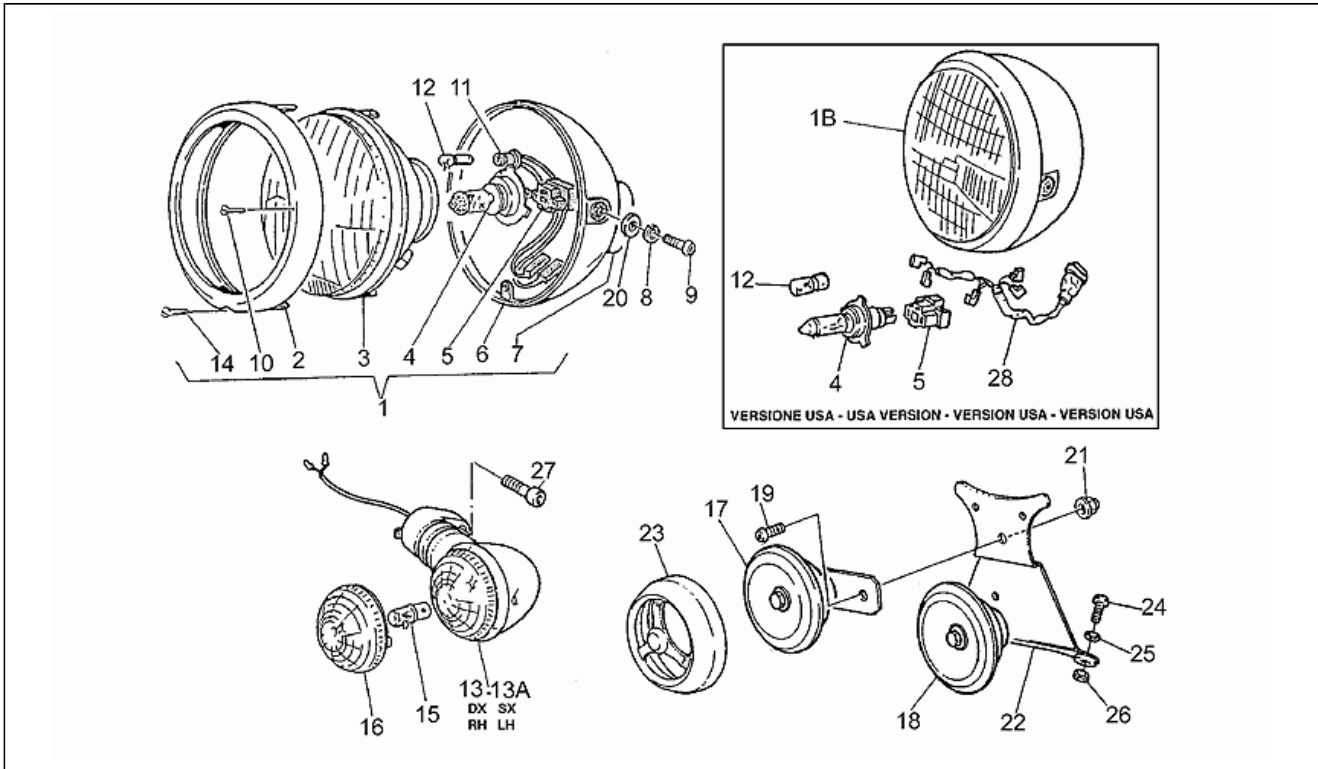
Pos.	Code	Description	Q.ty	Variants
1	GU301002701	Fuel tank	1	Color: Blank[gr.] Country: Singapore[SGP], United States of America[USA]
1	GU30100271	Fuel tank	1	Color: Shiny black 532[l.b.] Country: Singapore[SGP], United States of America[USA]
1	GU30100272	Fuel tank	1	Color: Hot black 525[b.] Country: Singapore[SGP], United States of America[USA] Technical Specifications: With decal gold/red[D2]
1	GU30100273	Fuel tank	1	Color: Cherry red 141[c.r.], Shiny black 532[l.b.] Country: Singapore[SGP], United States of America[USA]
1	GU30100275	Fuel tank	1	Color: Shiny black 532[l.b.], Ginestra Yellow 046[y.] Country: Singapore[SGP], United States of America[USA]
1	GU30100279	Fuel tank, grey/black	1	Color: Hot black 525[b.] Country: Singapore[SGP], United States of America[USA] Technical Specifications: See technical comm.n.305 of 1995[30595C], With decal gold/black[D1]
1	GU30100288	Fuel tank	1	year: 1996[T] Color: Amaranth red 142[a.r.], Cherry red 141[c.r.] Country: Singapore[SGP], United States of America[USA]
1	GU30100289	Fuel tank	1	year: 1996[T] Color: Beige[be.], Night blue 237[n.b.] Country: Singapore[SGP], United States of America[USA]
1	GU30100290	Fuel tank	1	year: 1996[T] Color: Shiny black 532[l.b.], Bright red 112[r.] Country: Singapore[SGP], United States of America[USA]
1	GU30100291	Fuel tank	1	Color: Shiny black 532[l.b.], Metallized green 301[m.g.] Country: Singapore[SGP], United States of America[USA]
1	GU89000165	Fuel tank	1	Color: Metallized grey 301[g.], Bright red 112[r.] Country: Singapore[SGP], United States of America[USA] Technical Specifications: See spare parts comm.n.009 of 1997[00997N], 75° Anniversary[75]
2	GU29103985	Fuel filler cap	1	Country: Singapore[SGP], United States of America[USA]
3	GU29108550	Hose clip 11,5x6	20	Country: Singapore[SGP], United States of America[USA]
4	GU29104985	Oil breather valve	1	Country: Singapore[SGP], United States of America[USA]

Assembly	FRAME
Code	33.08
Description	Fuel vapour recover system
Revision	1



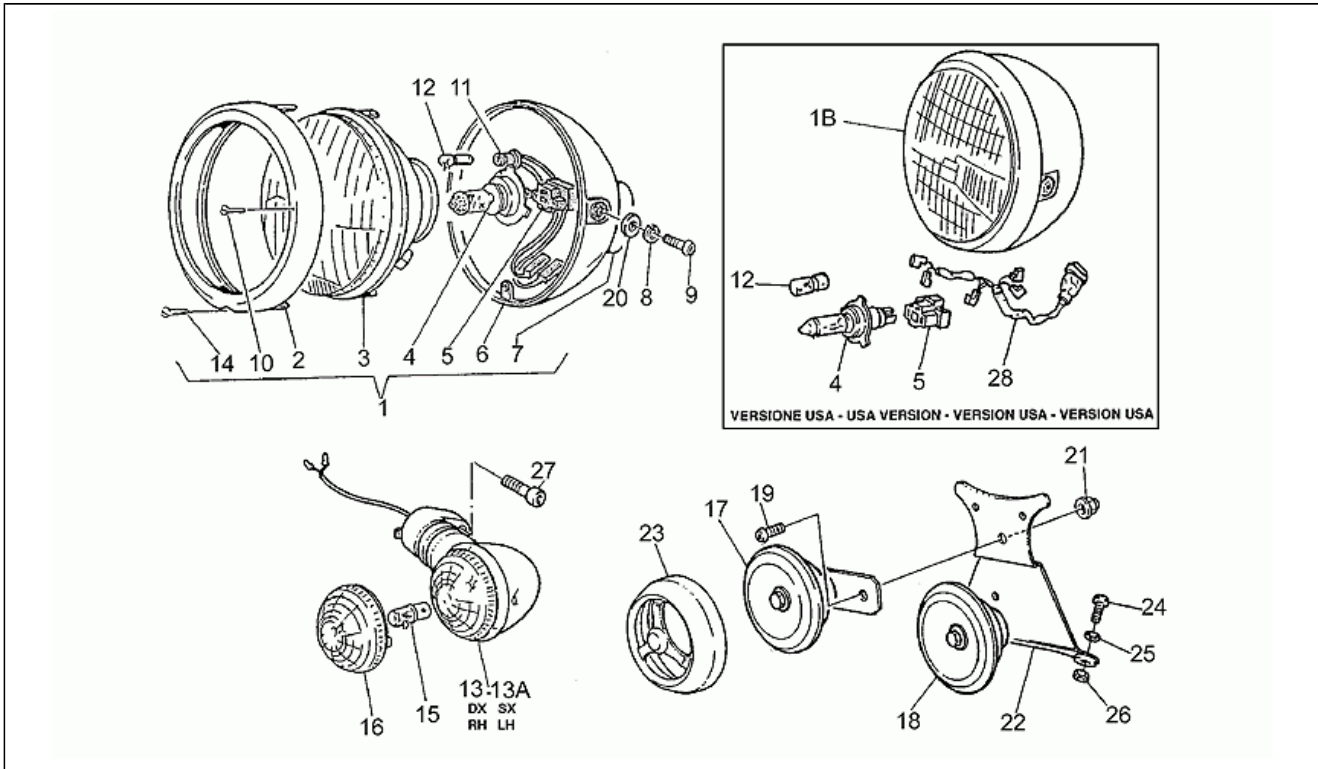
Pos.	Code	Description	Q.ty	Variants
5	GU00823956060	Pipe SAEJ30R76X121/4"	1	Country:Singapore[SGP], United States of America[USA]
6	GU14102570	Valve	1	Country:Singapore[SGP], United States of America[USA]
7	GU00823956080	Rubber pipe 12,5X7,8 5/16"	1	Country:Singapore[SGP], United States of America[USA]
8	GU30106620	3-way union	1	Country:Singapore[SGP], United States of America[USA]
9	GU29106660	3-way union	2	Country:Singapore[SGP], United States of America[USA]
10	GU29116085	RH carbon filter	2	Country:Singapore[SGP], United States of America[USA]
11	GU29127185	Carbon filter support	1	Country:Singapore[SGP], United States of America[USA]
12	GU30115220	Union	2	Country:Singapore[SGP], United States of America[USA]
13	GU93305008	Hose clamp	2	Country:Singapore[SGP], United States of America[USA]

Assembly	FRAME
Code	33.09
Description	Headlight-Horn
Revision	1



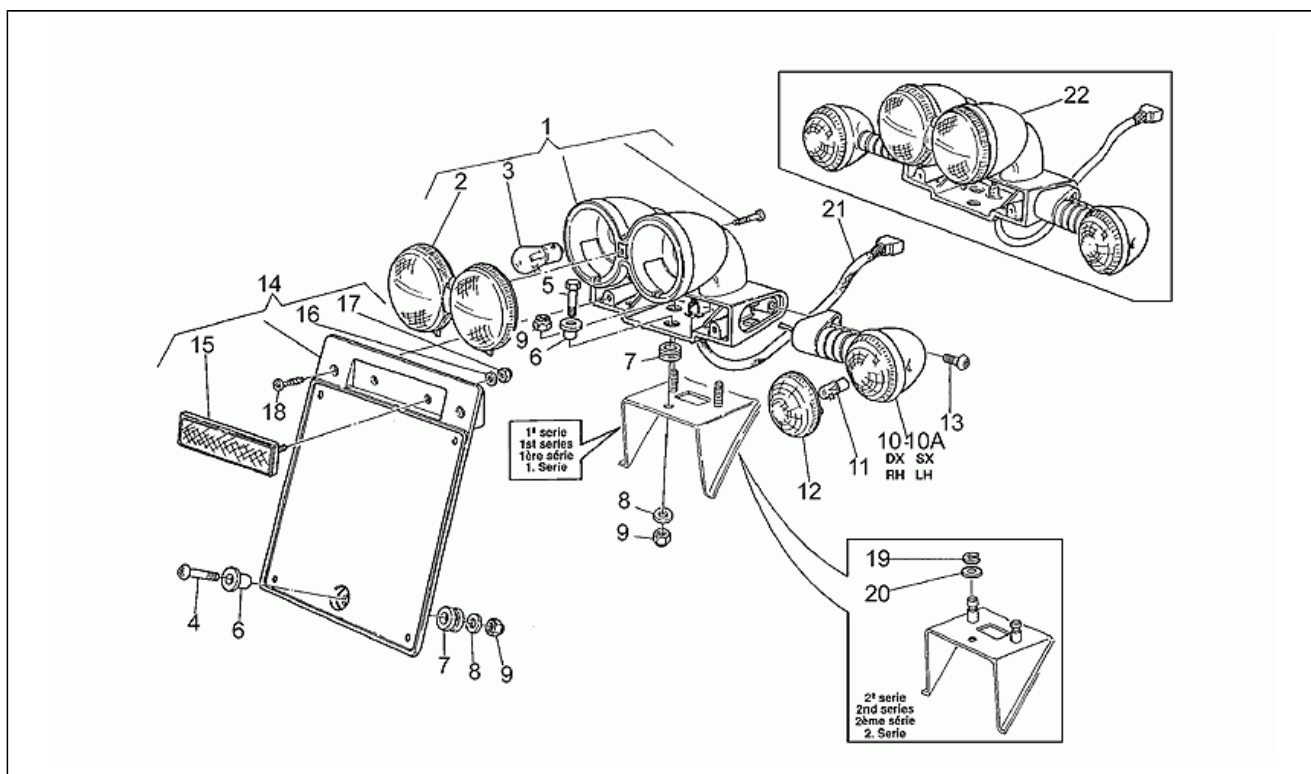
Pos.	Code	Description	Q.ty	Variants
1	GU28740533	Headlight	1	
1	GU29740500	Optical group	1	Country:United States of America[USA]
1	GU31740520	Headlight	1	Country:Australia[AUS], Japan[J], Malaysia[MAL], New Zeland[NZ], Singapore[SGP], Great Britain[UK]
2	GU19740454	Light frame	1	
3	GU18740435	Optical group	1	
3	GU31740420	Optical group	1	Country:Australia[AUS], Japan[J], Malaysia[MAL], New Zeland[NZ], Singapore[SGP], Great Britain[UK]
4	GU93450232	Lamp 12V-55/60W	1	
5	GU14756255	Lampholder	1	
6	GU23740418	Headlight body	1	
7	GU19740404	Rear cap plug	1	
8	GU95004210	Washer 10,2x18x2	2	
9	GU98231023	Screw	2	
10	GU19740303	Adjuster screw	1	
11	GU17740405	Lampholder	1	
12	GU93450119	Lamp 12V-4W	1	
13	GU31750665	RH front turn indicator	1	
13	GU31750666	LH front turn indicator	1	
14	GU19740302	Screw	1	
15	GU93450127	Lamp 12V-10W	2	
16	GU31753765	Turn indicator lens	2	
17	GU31743765	Horn H	1	
18	GU31743766	Horn L	1	
19	GU98230816	Screw	1	
20	GU91181005	Spacer	2	
21	GU92660208	Nut	1	
22	GU31744265	Horn support plate	1	

Assembly	FRAME
Code	33.09
Description	Headlight-Horn
Revision	1



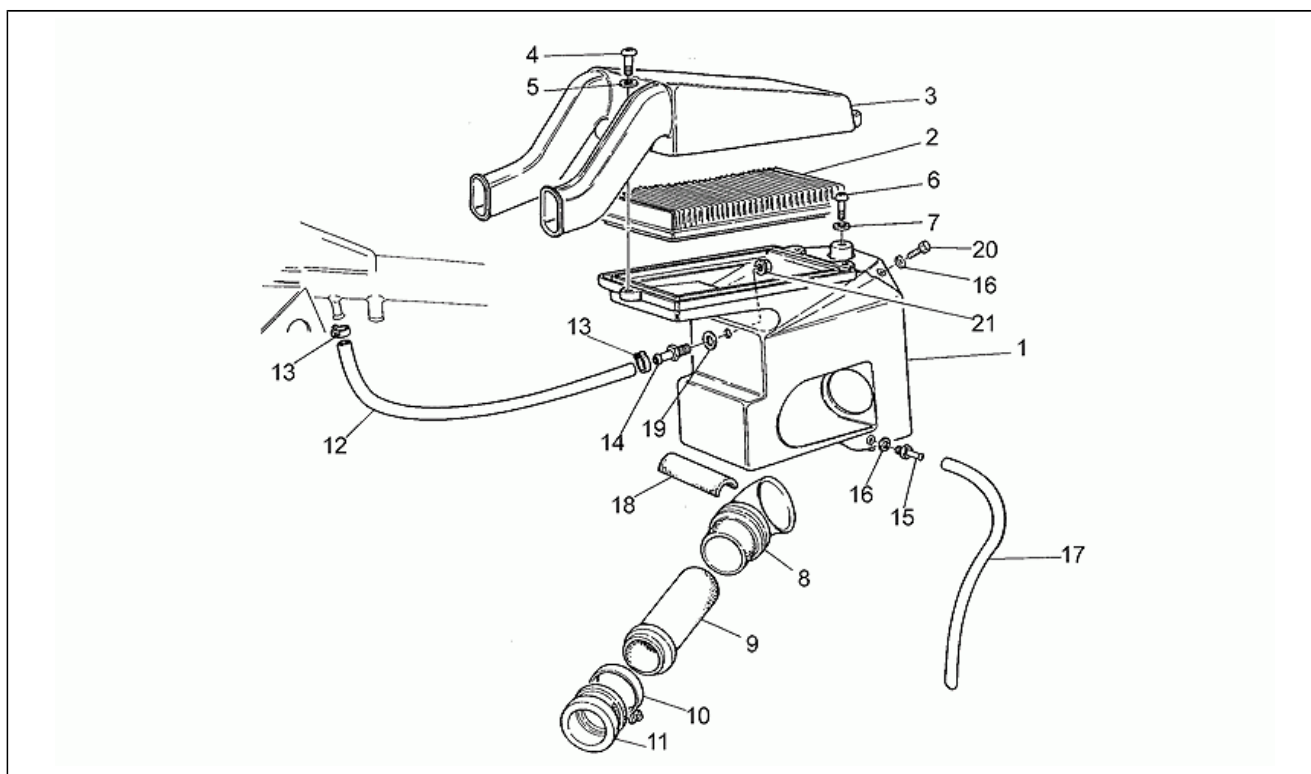
Pos.	Code	Description	Q.ty	Variants
23	GU31744765	Horn mask	2	
24	GU98230616	Screw	2	
25	GU95000206	Washer	2	
26	GU92630106	Nut M6x1	2	
27	GU98612320	Screw	2	
28	GU14747455	Headlight wiring w/harness	1	Country:United States of America[USA]

Assembly	FRAME
Code	33.10
Description	Taillight
Revision	1



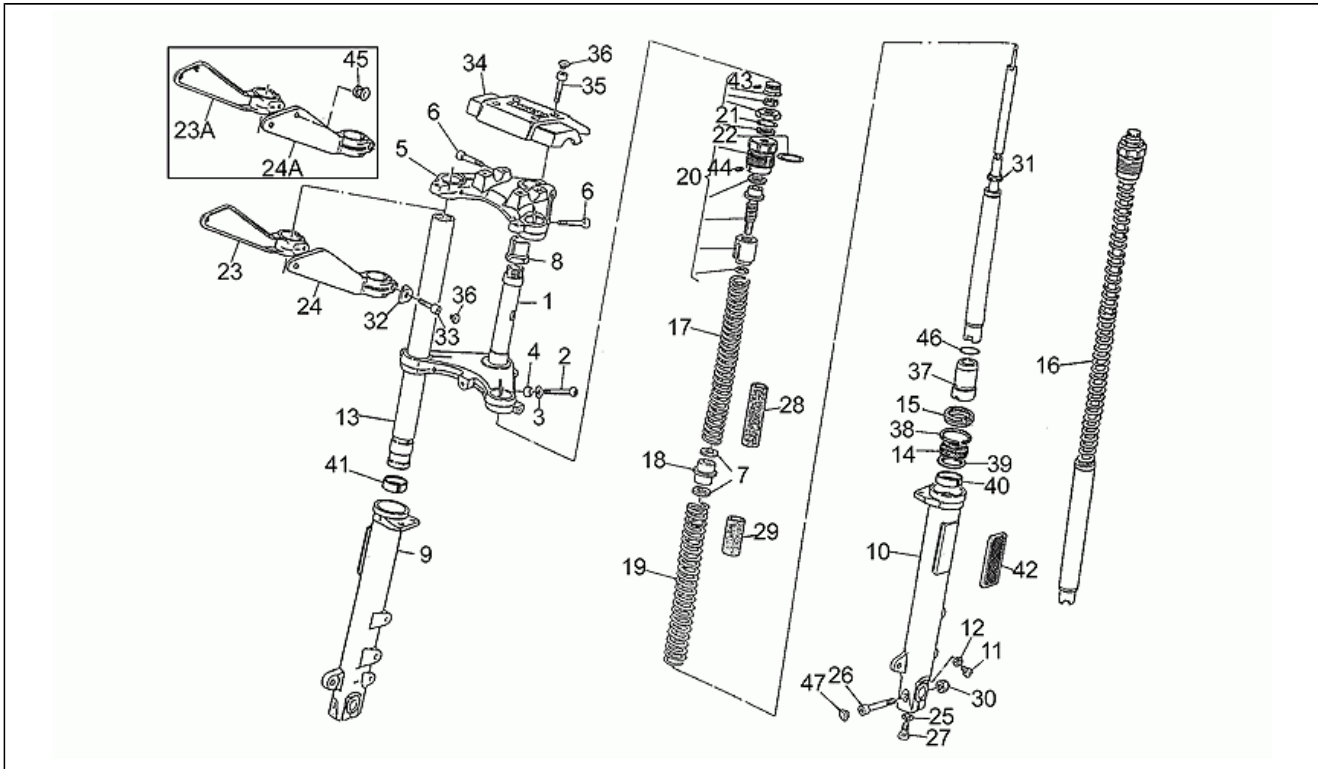
Pos.	Code	Description	Q.ty	Variants
1	GU30740960	Taillight	1	
2	GU30741760	Taillight lens	1	
3	GU93450224	Lamp 12V/5-21W	2	
4	GU98230621	Screw M6X20	1	
5	GU98054322	Hex screw M6X22	1	
6	GU30576100	Spacer D.6,5	2	
7	GU91551010	Rubber spacer	4	
8	GU95100120	Washer	2	
9	GU92630206	Nut M6x1	4	Technical Specifications: First series[1A]
10	GU30751660	Rear RH turn indicator	1	
10	GU30751661	Rear LH turn indicator	1	
11	GU93450127	Lamp 12V-10W	2	
12	GU31753765	Turn indicator lens	2	
13	GU98230612	Screw	2	
14	GU30474660	Number plate holder	1	
15	GU31745865	Reflector	1	
16	GU95000204	Washer	2	
17	GU92630104	Nut M4x0,7	2	
18	GU99210422	Self-tap screw	2	
19	GU90280009	Snap ring	2	Technical Specifications: Second series[2A], See technical comm.n.304 of 1995[30495C]
20	GU95100332	Clearance washer 0,5 mm	4	Technical Specifications: Second series[2A], See technical comm.n.304 of 1995[30495C]
21	GU30753160	Taillight wiring harness.	1	Technical Specifications: See technical comm.n.304 of 1995[30495C]
22	GU30758460	Taillight	1	

Assembly	FRAME
Code	33.11
Description	Air filter
Revision	1



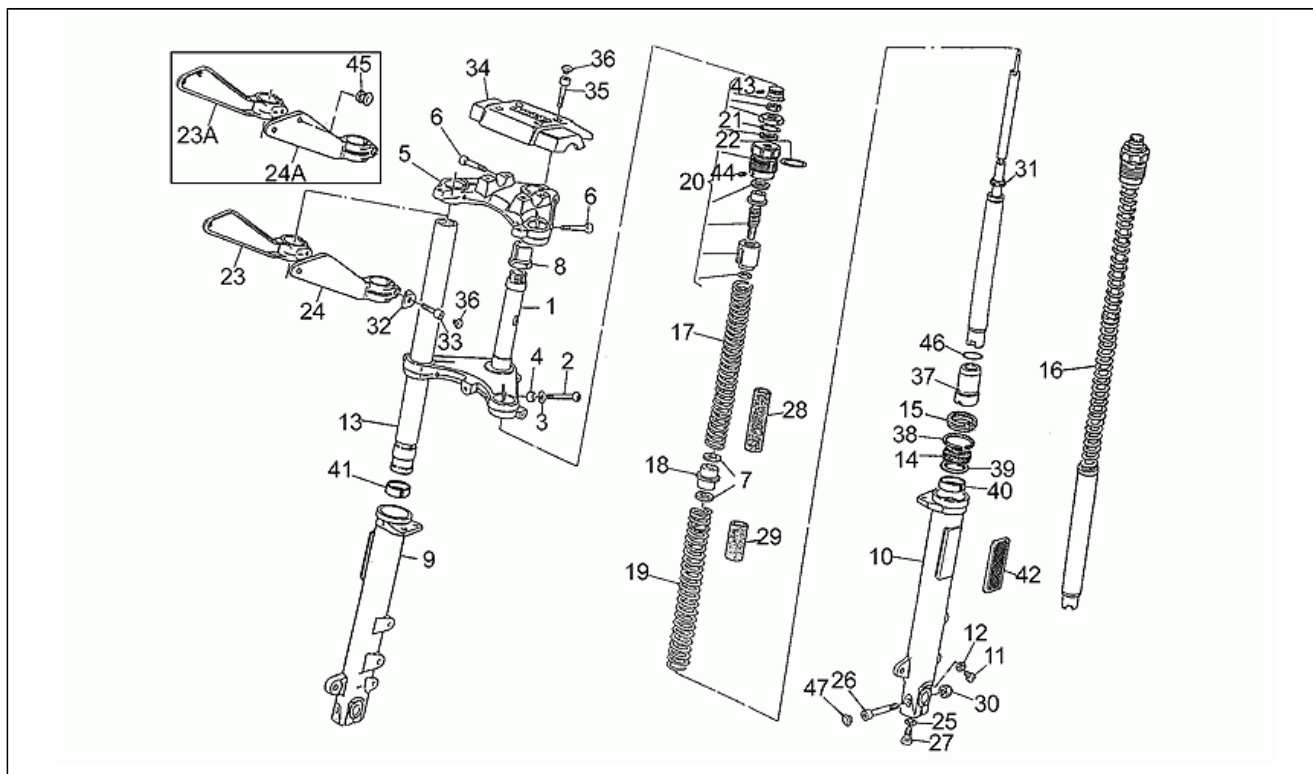
Pos.	Code	Description	Q.ty	Variants
1	GU30114060	Air box	1	
2	GU30113600	Air filter	1	
3	GU30113460	Filter cover	1	
4	GU98620225	Screw M5x25	2	
4	GU98620230	Screw M5X30	1	
5	GU95000205	Washer	3	
6	GU98230612	Screw	1	
7	GU61013800	Special washer	1	
8	GU30114660	Union	2	
9	GU30114560	Hand cone-type	2	
10	GU93305060	Hose clamp 60x62x10	2	
11	GU30114460	Hose	2	Technical Specifications: Carburettor version (KC frame)[VC]
12	GU00823956080	Rubber pipe 12,5X7,8 5/16"	1	
13	GU93305017	Hose clamp	2	
14	GU29116960	Union	1	
15	GU29115860	Union	1	
16	GU90714053	Gasket	1	
17	GU00823944050	Pipe 5X9	1	
18	GU95985223	Rubber half-pipe	1	
19	GU90714082	Gasket	2	
20	GU98054210	Screw	1	
21	GU92660208	Nut	1	

Assembly	FRAME
Code	33.12
Description	Front fork
Revision	1



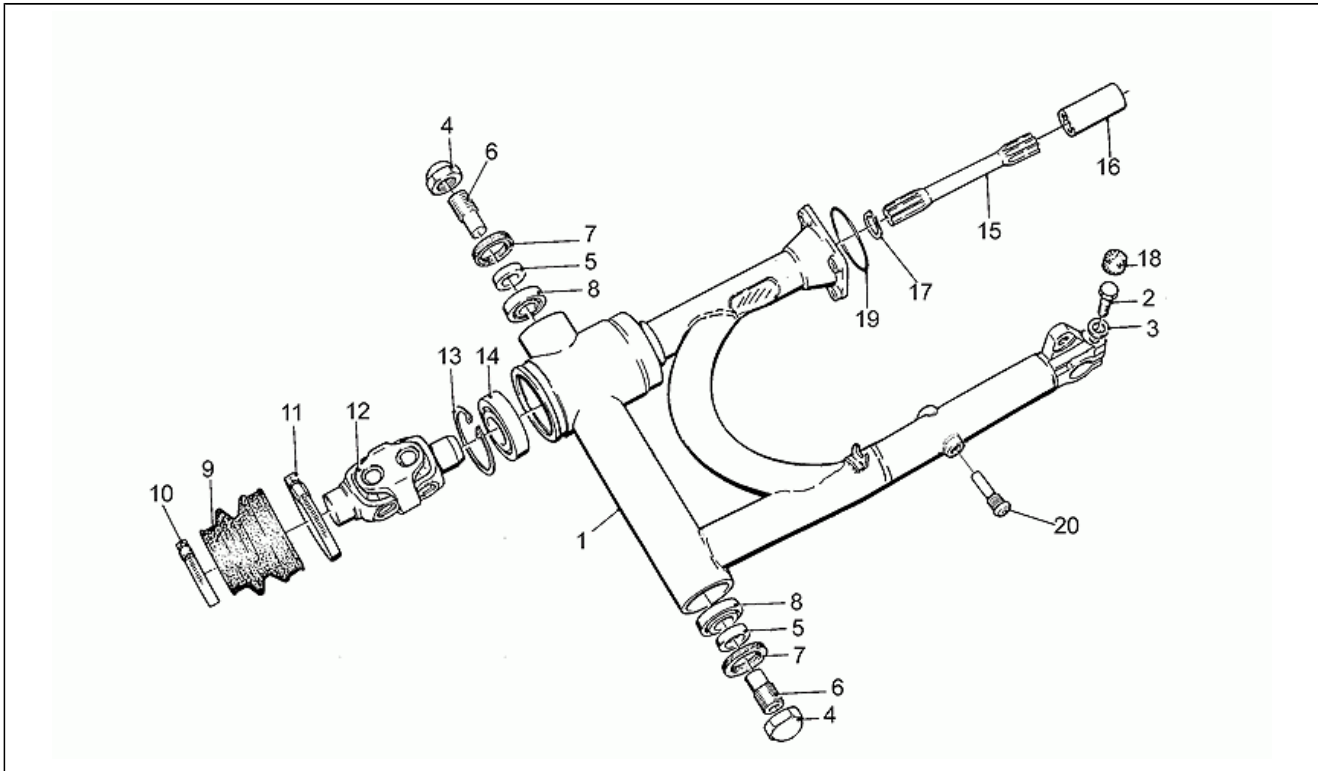
Pos.	Code	Description	Q.ty	Variants
1	GU30494060	Lower plate	1	
2	GU98620560	Hex socket screw M10x60	2	
3	GU95004210	Washer 10,2x18x2	2	
4	GU91181110	Spacer	2	
5	GU29493150	Fork upper plate	1	
6	GU98620540	Screw M10X40	3	
7	GU95004217	Washer 17X27X2	4	
8	GU18516660	Steering lock bush	1	
9	GU30522561	RH sleeve	1	
10	GU30522661	LH sleeve	1	
11	GU98622316	Hex socket screw M6X16	1	
12	GU95100116	Washer 6,25x10x1,5	1	
13	GU30525461	Sleeve	1	
14	GU30532861	Gasket ring	1	
15	GU29524550	Dust cover	1	
16	GU29525360	Front shock absorber	1	
17	GU29526960	Spring	1	
18	GU29527960	Bush	1	
19	GU29526650	Return spring	1	
20	GU28999590	Adjustment kit	1	
21	GU90706235	O-ring 23,52x1,78	1	
22	GU90706282	Gasket ring	1	
23	GU29496150	RH headlight support	1	Technical Specifications: See technical comm.n.293 of 1995[29395C], Second series[2A], With hole windshield[F]
23	GU30496160	RH headlight support	1	Technical Specifications: First series[1A]
24	GU29496250	LH headlight support	1	Technical Specifications: See technical comm.n.293 of 1995[29395C], Second series[2A], With hole windshield[F]
24	GU30496260	LH headlight support	1	Technical Specifications: First series[1A]

Assembly	FRAME
Code	33.12
Description	Front fork
Revision	1



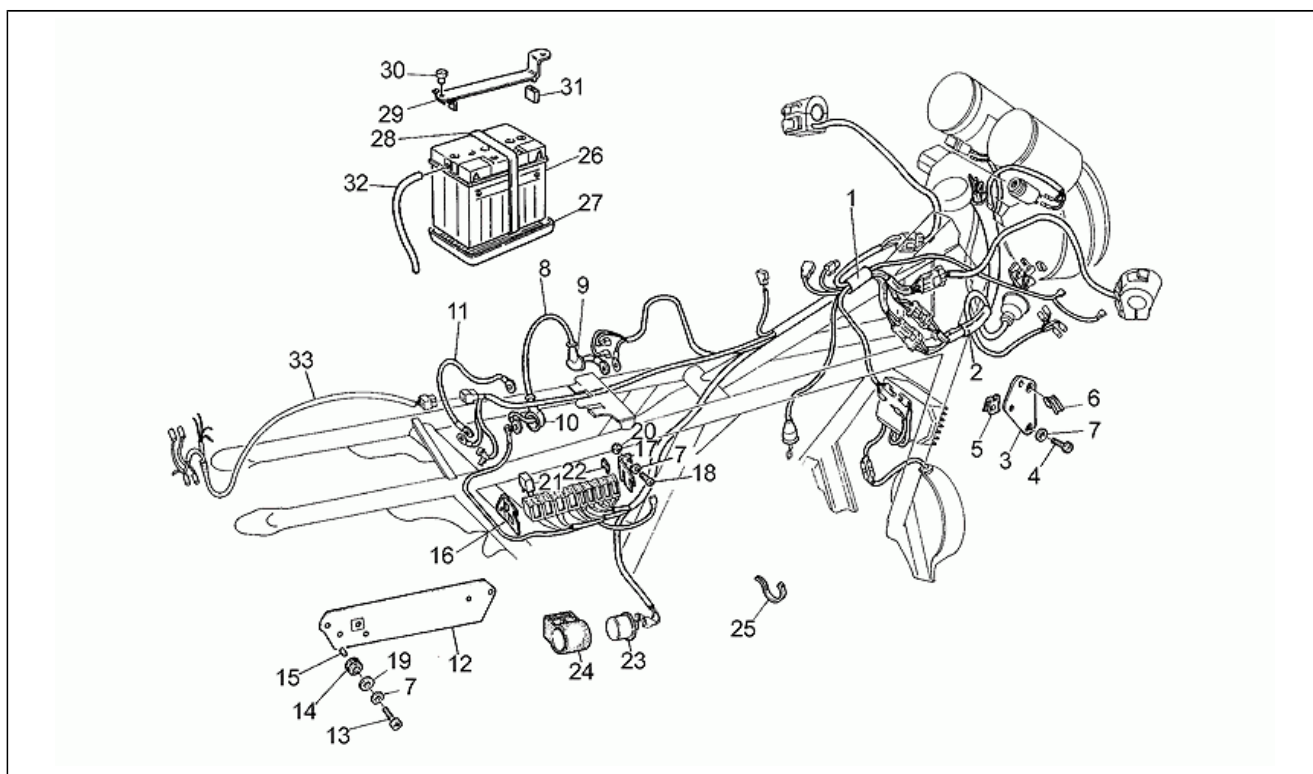
Pos.	Code	Description	Q.ty	Variants
25	GU10528900	Gasket	1	
26	GU98820545	Screw	1	
27	GU98622525	Screw 25 mm	1	
28	GU29526360	Upper anti-rubbing pipe	1	
29	GU29526361	Lower anti-rubbing pipe	1	
30	GU92602210	Nut	1	
31	GU28526590	Nylon washer	1	
32	GU23497910	Spacer	1	
33	GU98622425	Hex socket screw M8X25	1	
34	GU23500210	Handlebar fixing plate	1	
35	GU98620435	Screw M8X35	1	
36	GU23943410	Plug	1	
37	GU28527633	Drift	1	Technical Specifications: See technical comm.n.315 of 1995[31595C]
38	GU30526261	Stop ring	1	
39	GU30528161	Spacer	1	
40	GU30526761	Upper bush	1	
41	GU30525861	Lower bush	1	
42	GU31781665	Reflector, amber	1	
43	GU98450108	Dowel	1	
44	GU98470206	Dowel	1	
45	GU93180111	Plug 15 mm	1	
46	GU90706298	O-ring	1	Technical Specifications: See technical comm.n.315 of 1995[31595C]
47	GU23943510	Plug	1	

Assembly	FRAME
Code	33.13
Description	Swing arm
Revision	1



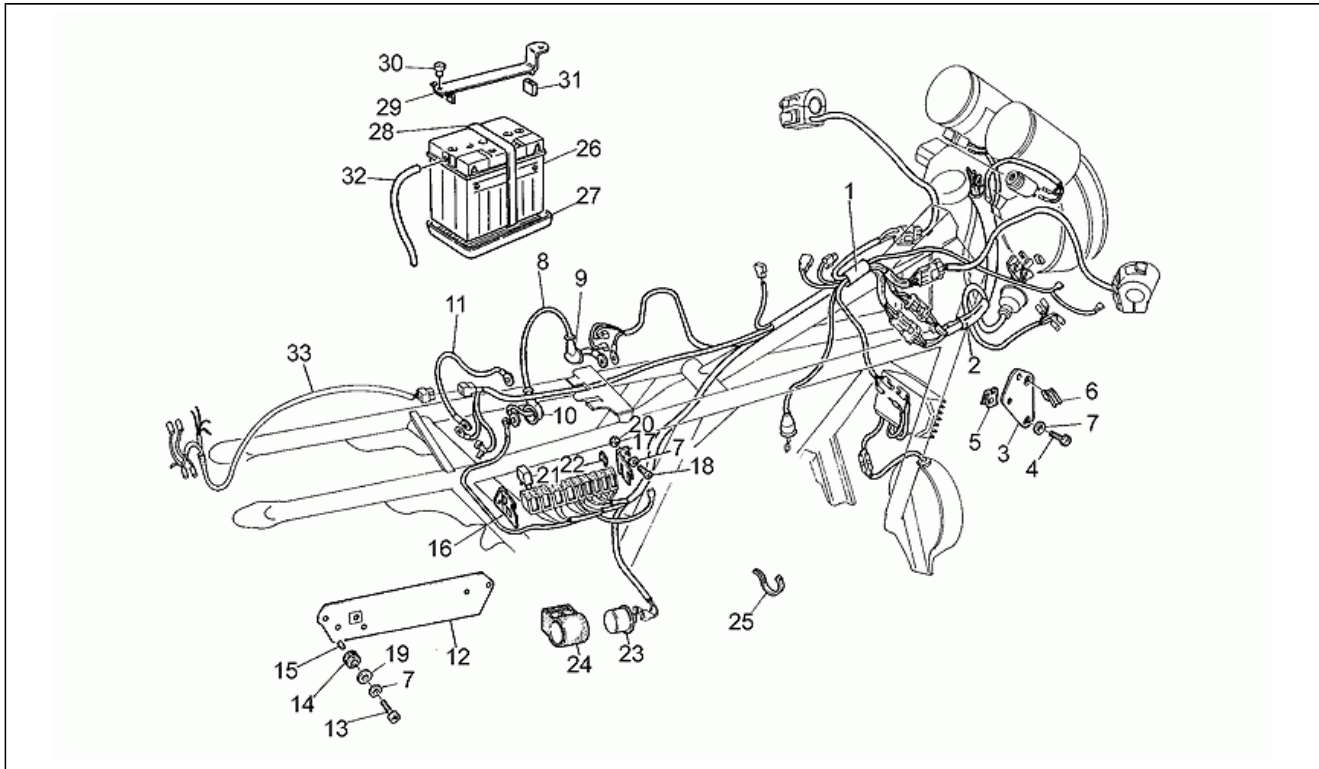
Pos.	Code	Description	Q.ty	Variants
1	GU30540260	Swing arm	1	
2	GU98052535	Screw	1	
3	GU95004210	Washer 10,2x18x2	1	
4	GU30547860	Cap nut	2	
5	GU12547200	Spacer	2	
6	GU30547060	Pin	2	
7	GU90403040	Gasket ring	2	
8	GU92249217	Bearing	2	
9	GU18548000	Protection collar	1	
10	GU93305060	Hose clamp 60x62x10	1	
11	GU93305078	Clamp	1	
12	GU30328031	Coupling	1	
13	GU90272062	Circlip	1	
14	GU92204230	Ball bearing 30x62x16	1	
15	GU29326300	Drive shaft	1	
16	GU12327700	Hose	1	
17	GU90271020	Snap ring	3	
18	GU14498550	Plug	1	
19	GU90706584	Gasket 58,42x2,62	1	
20	GU30638660	Pin	1	

Assembly	FRAME
Code	33.14
Description	Electrical system
Revision	1



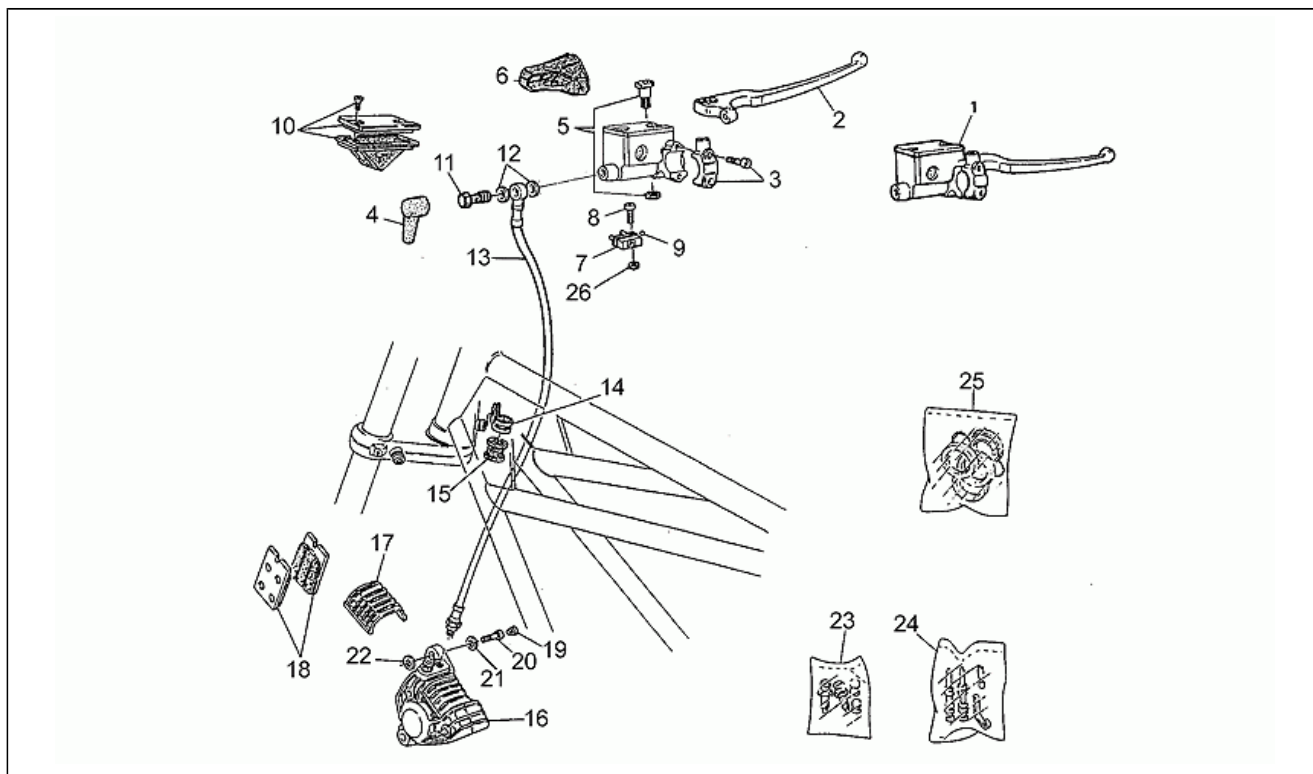
Pos.	Code	Description	Q.ty	Variants
1	GU30747160	Electrical system	1	
2	GU30747260	Dashboard cable	1	
2	GU30747272	Dashboard cable	1	Country:Singapore[SGP], United States of America[USA]
3	GU30749760	Plate	1	
4	GU98622312	Screw	2	
5	GU28576590	Clip	2	
6	GU30922260	Clip	4	
7	GU61013800	Special washer	8	
8	GU29748460	Wire	1	
9	GU19707100	Cap	1	
10	GU23707100	Cap	1	
11	GU19748400	Ground-battery lead	1	
12	GU30746360	Plate	1	
13	GU98622316	Hex socket screw M6X16	2	
14	GU91551080	Rubber spacer	2	
15	GU91180607	Spacer	2	
16	GU30477101	RH clamp	1	
17	GU30477200	LH plate	1	
18	GU98622310	Screw	2	
19	GU95100118	Washer 6,2X18X1	4	
20	GU92630206	Nut M6x1	2	
21	GU30732560	Relay Siemens A302/B1008	4	
22	GU28742560	Fuse 15A	4	
23	GU17750520	Flasher unit	1	
24	GU17751200	Block	1	
25	GU14609650	Hose clamp 3,6x20,6	56	
26	GU28704545	Battery VARTA 530.30 12V-30A	1	
27	GU28707050	Battery holder	1	

Assembly	FRAME
Code	33.14
Description	Electrical system
Revision	1



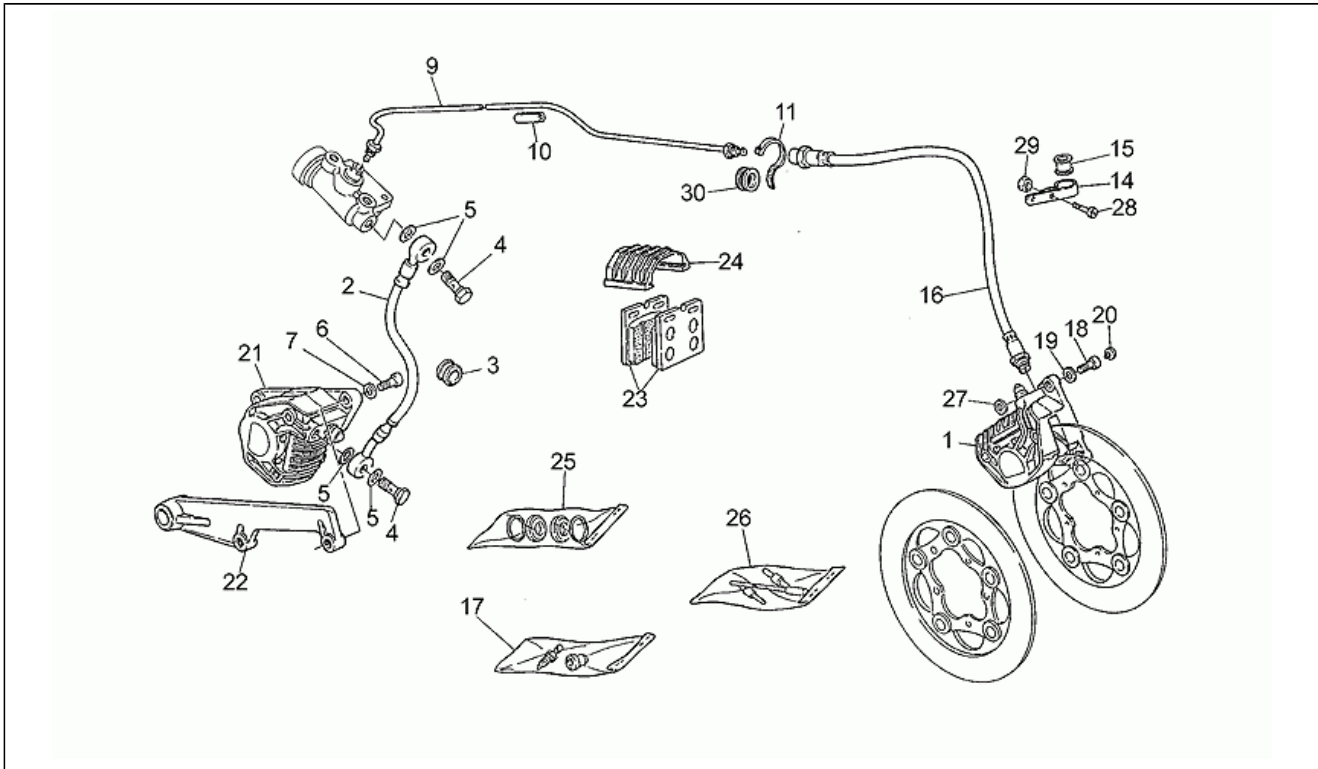
Pos.	Code	Description	Q.ty	Variants
28	GU28704900	Battery fixing snap	1	
29	GU30705061	Battery fixing plate	1	
30	GU12433000	Drift	1	
31	GU14461400	Rubber spacer	3	
32	GU00823945060	Pipe Vipla 3X5,5	1	
33	GU30753160	Taillight wiring harness.	1	

Assembly	FRAME
Code	33.15
Description	RH Front brake system
Revision	1



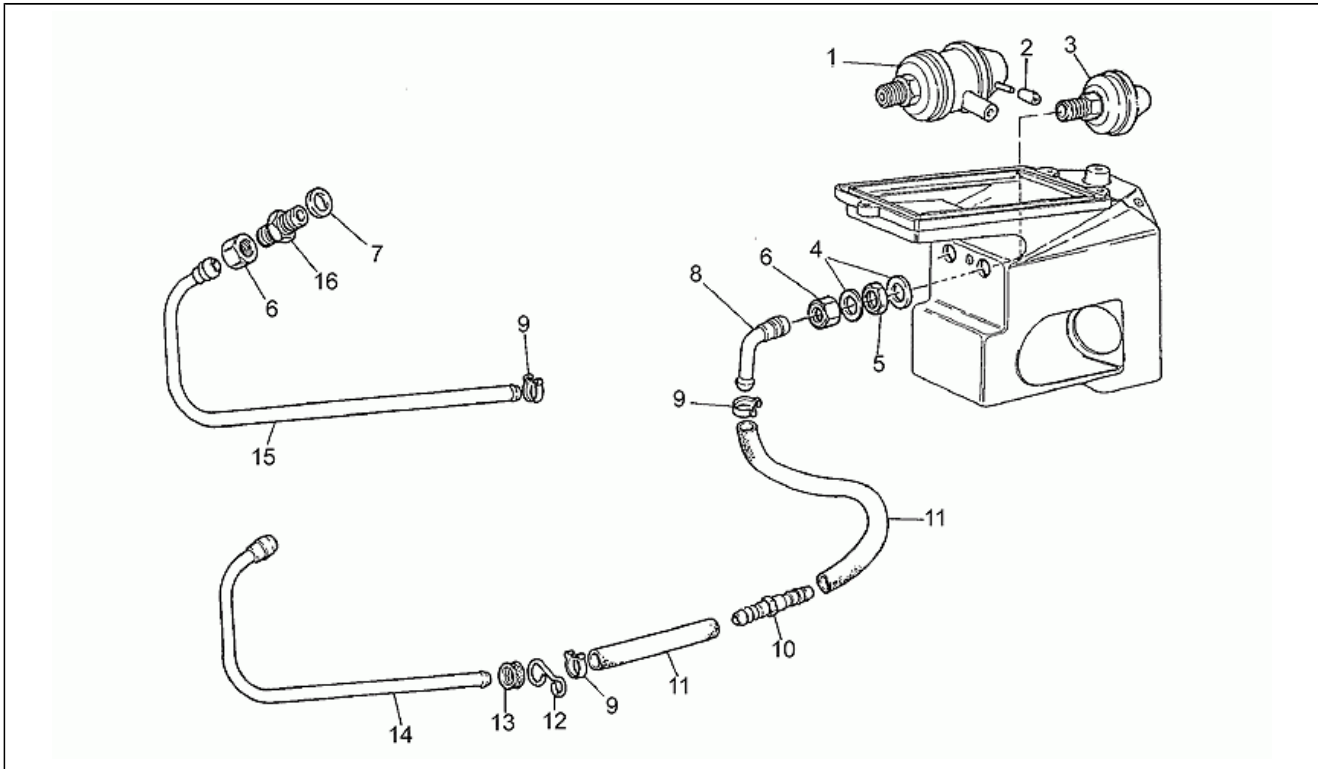
Pos.	Code	Description	Q.ty	Variants
1	GU30660160	Front master cilinder	1	
2	GU30605680	Brake lever	1	
3	GU27664075	Bracket	1	
4	GU39663801	Cap	1	
5	GU27604815	Pin	1	
6	GU27663615	Cap	1	
7	GU30749860	Microswitch	1	
8	GU98200214	Screw	2	
9	GU92295708	Ball	1	
10	GU27661115	Pump cover	1	
11	GU95990028	Oil pipe screw *	1	
12	GU25656100	Gasket	2	
13	GU28657140	Front brake hose	1	
14	GU17658460	Hose clamp	1	
15	GU17658260	Ring	1	
16	GU28653001	RH front brake caliper	1	
17	GU17654760	Brake caliper cover	1	
18	GU28654601	Pads (pair) Frendo 222	1	
19	GU23943510	Plug	4	
20	GU98622525	Screw 25 mm	2	
21	GU95129180	Washer 10,5X18X0,8	2	
22	GU95100332	Clearance washer 0,5 mm	0	
22	GU95100333	Clearance washer 0,8 mm	0	
23	GU17659260	Bleeder+cap	1	
24	GU14659100	Pins+Caliper springs	1	
25	GU14659000	Brake caliper rev. kit	1	
26	GU92601002	Nut	2	

Assembly	FRAME
Code	33.16
Description	Front/rear brake system
Revision	1



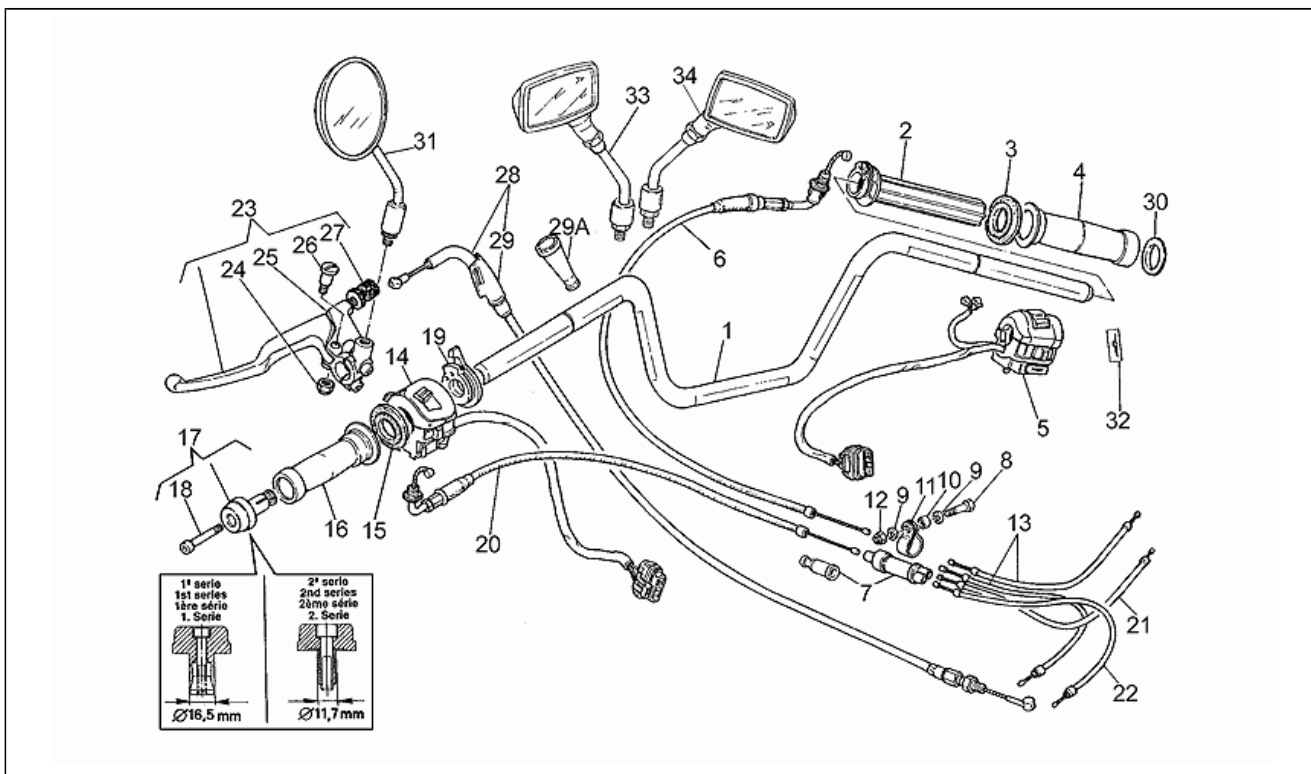
Pos.	Code	Description	Q.ty	Variants
1	GU28652301	Brake caliper	1	
2	GU28657501	Calliper-divider pipe	1	
3	GU91551131	Rubber spacer	1	
4	GU95990028	Oil pipe screw *	2	
5	GU25656100	Gasket	4	
6	GU98622525	Screw 25 mm	2	
7	GU95129180	Washer 10,5X18X0,8	2	
9	GU30658760	Pipe	1	
10	GU17659650	Piston ring	1	
11	GU14609650	Hose clamp 3,6x20,6	1	
14	GU17658360	Hose clamp	1	
15	GU17658260	Ring	1	
16	GU17658860	Brake hose	1	
17	GU17659260	Bleeder+cap	2	
18	GU98622525	Screw 25 mm	2	
19	GU95129180	Washer 10,5X18X0,8	2	
20	GU23943510	Plug	4	
21	GU28653001	RH front brake caliper	1	
22	GU28635800	Rear brake caliper support	1	
23	GU28654601	Pads (pair) Frendo 222	2	
24	GU17654760	Brake caliper cover	2	
25	GU14659000	Brake caliper rev. kit	2	
26	GU14659100	Pins+Caliper springs	2	
27	GU95100332	Clearance washer 0,5 mm	1	
27	GU95100333	Clearance washer 0,8 mm	1	
28	GU98280410	Screw	1	
29	GU92630104	Nut M4x0,7	1	
30	GU91551120	Ring	1	

Assembly	FRAME
Code	33.17
Description	Pierburg valve system
Revision	1



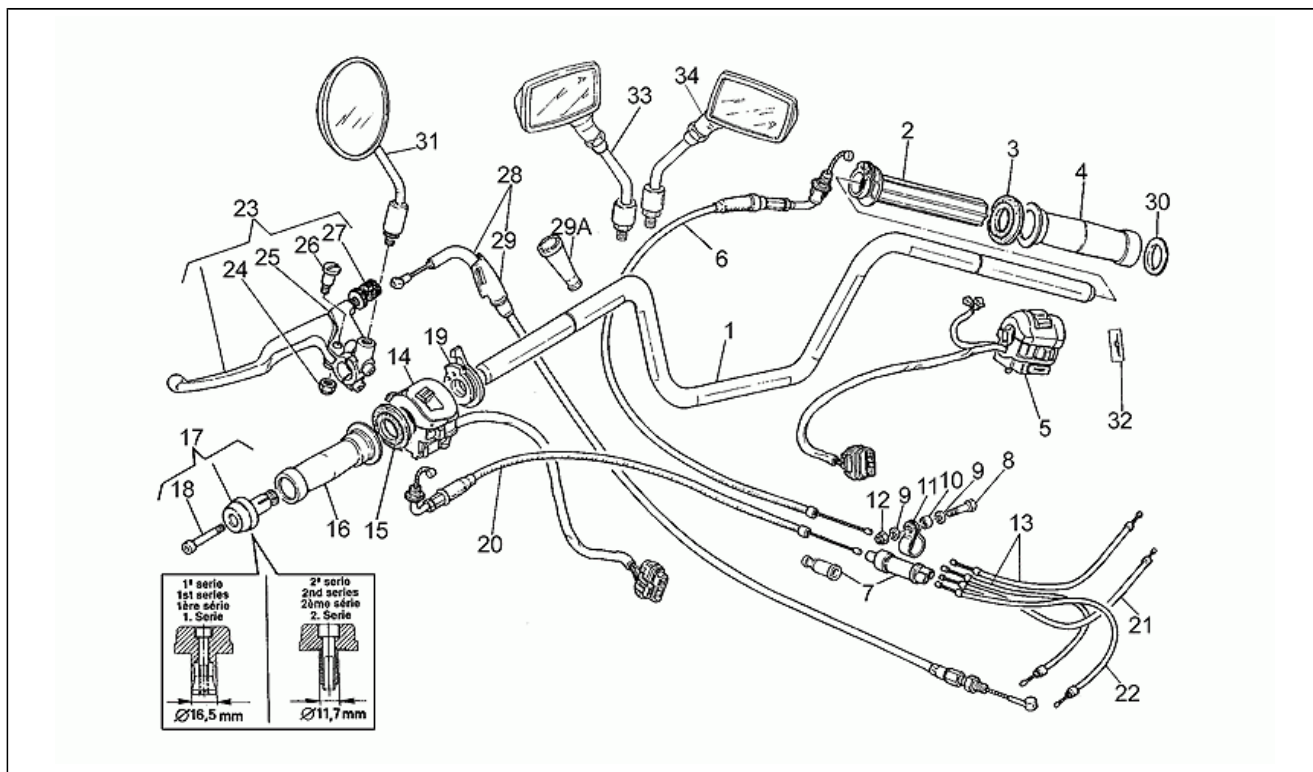
Pos.	Code	Description	Q.ty	Variants
1	GU29116022	RH valve Pierburg	1	
2	GU39094200	Plug	1	
3	GU29116023	LH valve Pierburg	1	
4	GU95100628	Washer	4	
5	GU92602516	Nut M16X1,5	2	
6	GU29119822	Nut	4	
7	GU10154200	Gasket	2	
8	GU29116922	90° union	2	
9	GU28157950	Hose clip 12,5x8	6	
10	GU29119222	2-way union	2	
11	GU00823941095	Pipe	1	
12	GU29655722	Cable-guide	2	
13	GU91551120	Ring	2	
14	GU29119122	LH pipe	1	
15	GU29119022	RH pipe	1	
16	GU29115822	Union	2	

Assembly	FRAME
Code	33.18
Description	Handlebar - Controls
Revision	1



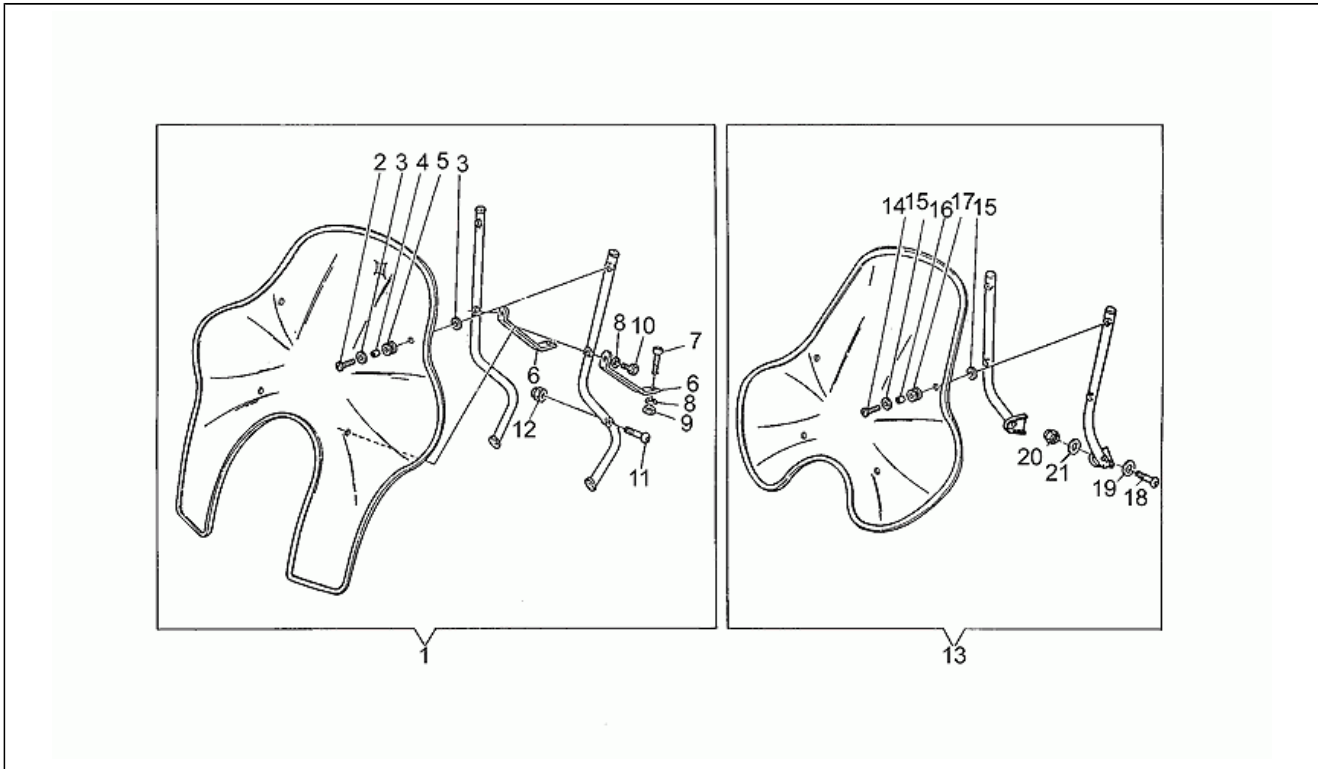
Pos.	Code	Description	Q.ty	Variants
1	GU30600360	Handlebar	1	Technical Specifications: First series[1A], Stabilizing hole 18[E1]
1	GU30600361	Handlebar	1	Technical Specifications: Second series[2A], Stabilizing hole 12[E2]
2	GU30603800	Throttle pipe w/out hand grip	1	
2	GU30603804	Throttle	1	Country: Switzerland[CH] Technical Specifications: Carburettor version (KC frame)[VC]
3	GU27603620	Ring	1	
4	GU27603520	RH hand grip	1	
5	GU30738860	RH lights selector	1	
5	GU30738873	RH lights selector	1	Country: Australia[AUS], Japan[J], Singapore[SGP], United States of America[USA]
6	GU30117560	Throttle cable	1	Technical Specifications: Carburettor version (KC frame)[VC]
7	GU30607910	Splitter	2	
8	GU98054340	Screw	1	
9	GU95000206	Washer	4	
10	GU91180607	Spacer	2	
11	GU19133400	Hose clamp	2	
12	GU92630106	Nut M6x1	1	
13	GU29117750	Throttle cable w/ splitter	2	
14	GU30738060	LH lights selector	1	
15	GU27603120	Ring	1	
16	GU27603020	LH hand grip	1	
17	GU29602760	H.bars anti.v weight	2	Technical Specifications: First series[1A], Stabilizing hole 18[E1]
17	GU30602761	H.bars anti.v weight	2	Technical Specifications: Second series[2A], Stabilizing hole 12[E2]
18	GU98620335	Screw M6X35	2	Technical Specifications: First series[1A], Stabilizing hole 18[E1]

Assembly	FRAME
Code	33.18
Description	Handlebar - Controls
Revision	1



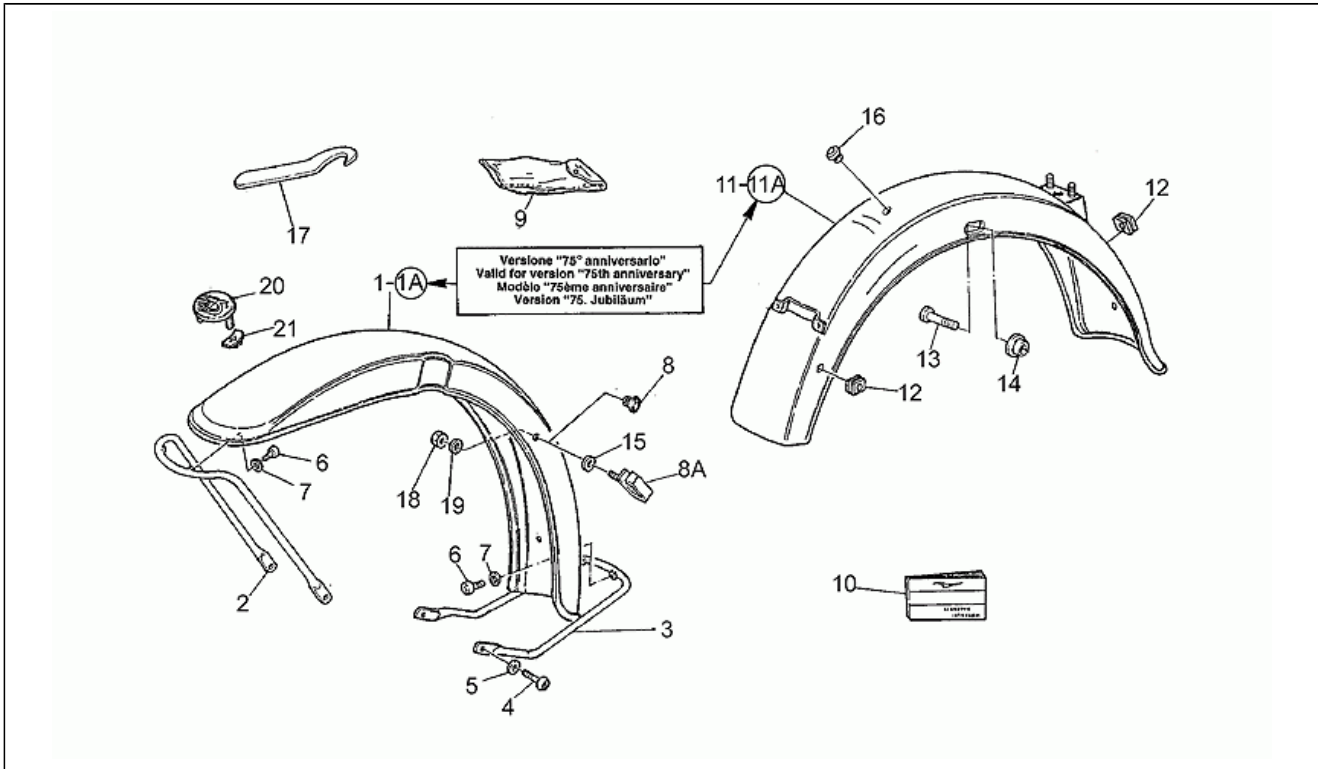
Pos.	Code	Description	Q.ty	Variants
18	GU98660435	Screw	2	Technical Specifications: Second series[2A], Stabilizing hole 12[E2]
19	GU30135200	Choke control	1	Technical Specifications: Carburettor version (KC frame)[VC]
20	GU30132860	Choke cable	1	
21	GU30133560	RH choke cable	1	
22	GU30134060	LH choke cable	1	
23	GU30605560	Clutch lever cpl.	1	
24	GU92602206	Nut	1	
25	GU30601800	Bear clutch lever supp.	1	
26	GU30530528	Lever pin	1	
27	GU30602500	Register	1	
28	GU30093060	Clutch cable	1	
29	GU23093870	Bellows	1	Technical Specifications: First series[1A]
29	GU30093860	Bellows	1	Technical Specifications: Second series[2A]
30	GU29606970	Nylon washer	1	
31	GU31769465	Rearview mirror	2	
32	GU28769550	Decal "Aquila"	1	Country: Australia[AUS], Japan[J], Singapore[SGP], United States of America[USA]
33	GU14769870	RH rearview mirror	1	Country: Australia[AUS]
34	GU14769470	LH rearview mirror	1	Country: Australia[AUS]

Assembly	FRAME
Code	33.19
Description	Windscreen
Revision	1



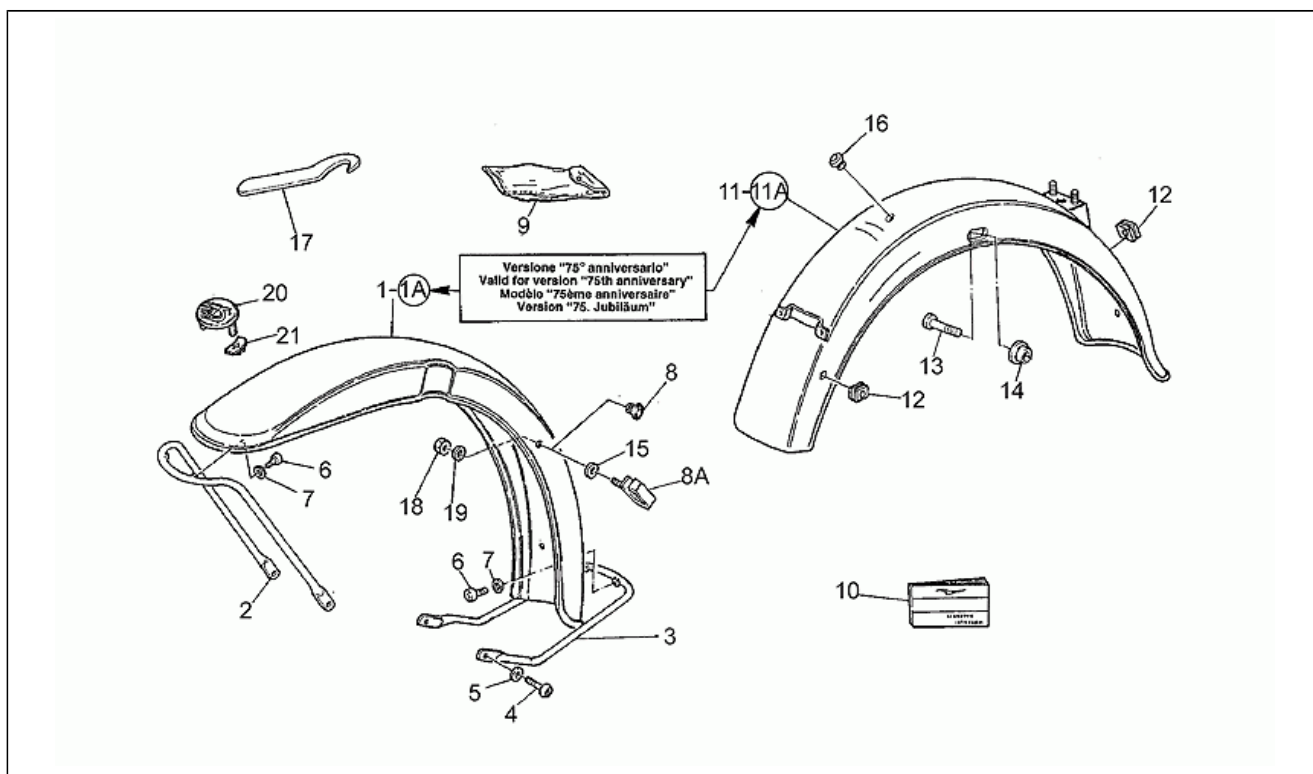
Pos.	Code	Description	Q.ty	Variants
1	GU29575150	Windscreen cpl.	1	
2	GU98326021	Screw	4	Technical Specifications: See technical comm.n.304 of 1995[30495C]
3	GU95100144	Flat washer	8	
4	GU91180806	Spacer	4	
5	GU91551010	Rubber spacer	4	Technical Specifications: See technical comm.n.304 of 1995[30495C]
6	GU29506850	Clamp	2	
7	GU98612325	Screw M6x25	2	
8	GU61013800	Special washer	4	
9	GU92601206	Nut	2	
10	GU98074312	Screw	2	
11	GU98231035	Screw M10X35	2	
12	GU92630110	Nut M10X1,5	2	
13	GU31575161	Windscreen cpl.	1	
14	GU98326021	Screw	4	Technical Specifications: See technical comm.n.304 of 1995[30495C]
15	GU95100144	Flat washer	8	
16	GU91180806	Spacer	4	Technical Specifications: See technical comm.n.304 of 1995[30495C]
17	GU91551010	Rubber spacer	4	Technical Specifications: See technical comm.n.304 of 1995[30495C]
18	GU98231045	Screw	2	
19	GU19149800	Washer 10,5x16x1	2	
20	GU92630110	Nut M10X1,5	2	
21	GU95000210	Washer	2	

Assembly	FRAME
Code	33.20
Description	Front/Rear mudguard
Revision	1



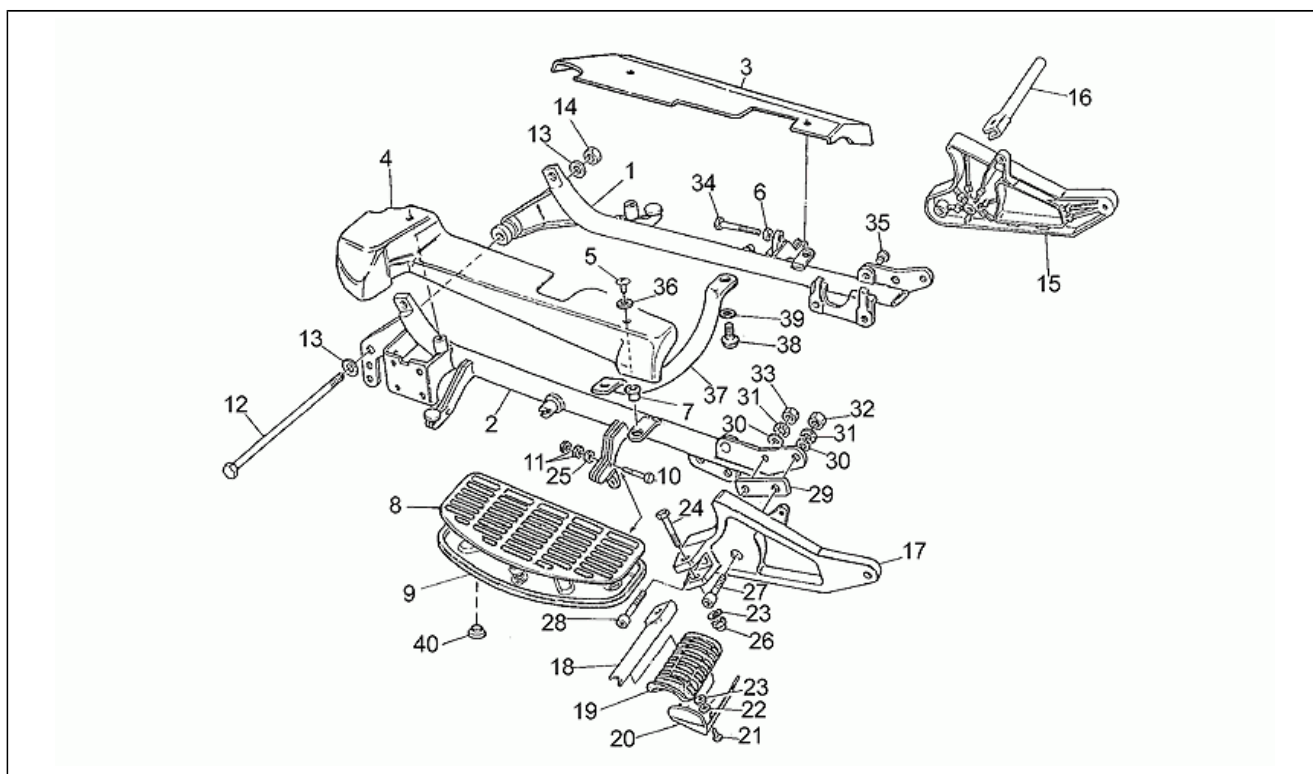
Pos.	Code	Description	Q.ty	Variants
1	GU294343602	Front mudguard	1	Color:Blank[gr.]
1	GU30434361	Front mudguard, black/chrome	1	
1	GU30434362	Front mudguard	1	Color:Hot black 525[b.], Metallized grey 301[g.]
1	GU30434363	Front mudguard	1	Color:Cherry red 141[c.r.], Shiny black 532[l.b.]
1	GU30434364	Front mudguard	1	Color:Shiny black 532[l.b.], Ginestra Yellow 046[y.]
1	GU30434369	Front mudguard, blue/gold	1	Country:Holland[NL]
1	GU30434379	Front mudguard	1	year: 1996[T] Color:Amaranth red 142[a.r.], Cherry red 141[c.r.]
1	GU30434385	Front mudguard	1	year: 1996[T] Color:Beige[be.], Night blue 237[n.b.]
1	GU30434386	Front mudguard	1	year: 1996[T] Color:Shiny black 532[l.b.], Bright red 112[r.]
1	GU30434387	Front mudguard	1	year: 1996[T] Color:Shiny black 532[l.b.], Metallized green 301[m.g.]
1	GU30434388	Front mudguard, chrome	1	
1	GU89000124	Front mudguard	1	Color: Metallized grey 301[g.], Bright red 112[r.] Technical Specifications:75° Anniversary[75]
2	GU30435760	Top mudguard support	1	
3	GU30435960	Bottom mudguard support	1	
4	GU98230816	Screw	4	
5	GU61270300	Spring washer 8x15x0,3	4	
6	GU98822314	Screw	4	
7	GU95000206	Washer	4	
8	GU29436550	Fairlead	2	Technical Specifications:See technical comm.n.304 of 1995[30495C]
8	GU93180050	Rubber spacer	2	
9	GU28929940	Toolkit	1	
10	GU30900060	Operator's handbook	1	Country:Germany[D], France[F], Italy[I], Great Britain[UK]
11	GU304370602	Rear mudguard blank	1	Color:Blank[gr.]

Assembly	FRAME
Code	33.20
Description	Front/Rear mudguard
Revision	1



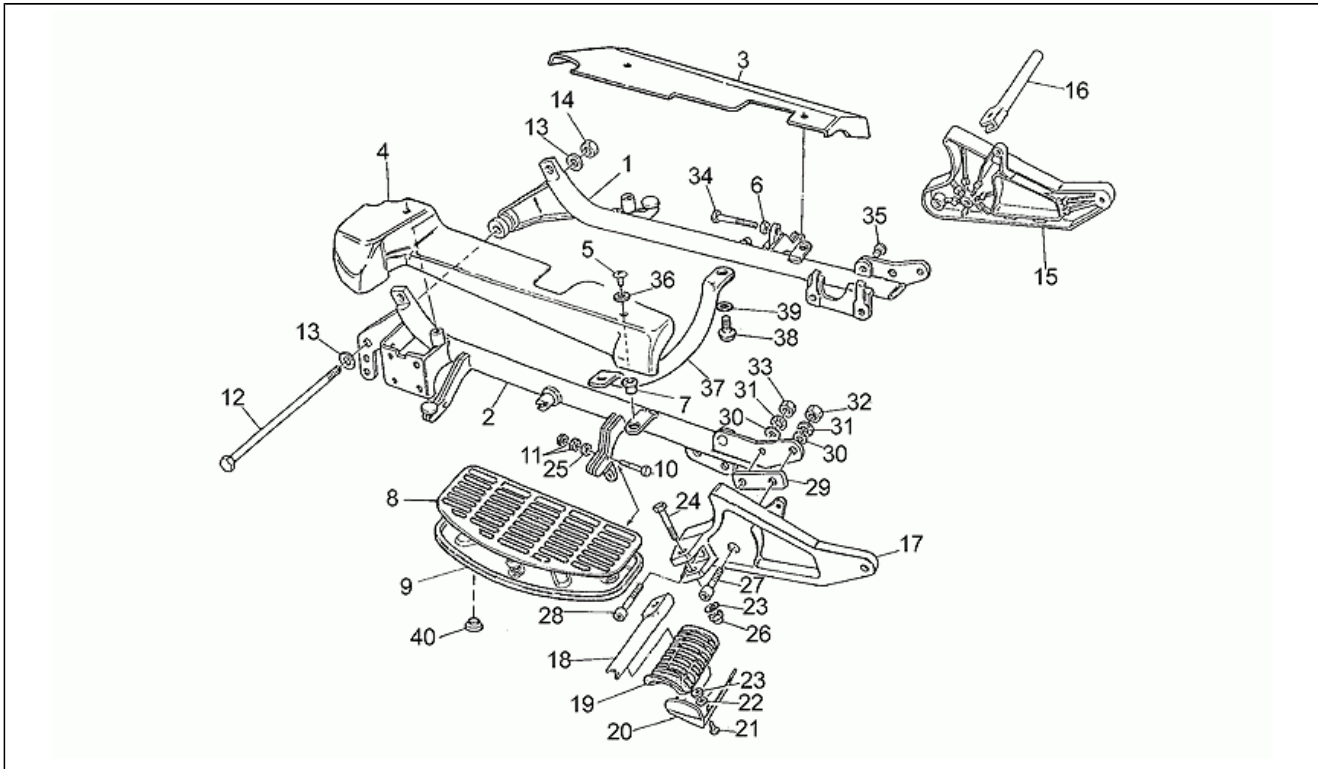
Pos.	Code	Description	Q.ty	Variants
11	GU30437061	Rear mudguard, black/chrome	1	
11	GU30437062	Rear mudguard	1	Color:Hot black 525[b.], Metallized grey 301[g.]
11	GU30437063	Rear mudguard	1	Color:Cherry red 141[c.r.], Shiny black 532[l.b.]
11	GU30437064	Rear mudguard	1	Color:Shiny black 532[l.b.], Ginestra Yellow 046[y.]
11	GU30437069	Rear mudguard, blue/gold	1	Country:Holland[NL]
11	GU30437079	Rear mudguard	1	year: 1996[T] Color:Amaranth red 142[a.r.], Cherry red 141[c.r.]
11	GU30437085	Rear mudguard	1	year: 1996[T] Color:Beige[be.], Night blue 237[n.b.]
11	GU30437086	Rear mudguard	1	year: 1996[T] Color:Shiny black 532[l.b.], Bright red 112[r.]
11	GU30437087	Rear mudguard	1	year: 1996[T] Color:Shiny black 532[l.b.], Metallized green 301[m.g.]
11	GU30437088	Rear mudguard, chrome	1	
11	GU89000122	Rear mudguard	1	Color: Metallized grey 301[g.], Bright red 112[r.] Technical Specifications:75° Anniversary[75]
12	GU91551099	Rubber spacer	2	
13	GU30439060	Screw	2	
14	GU30435560	Spacer	2	
15	GU30577800	Nylon washer 5,5X12X1	2	Technical Specifications:See technical comm.n.304 of 1995[30495C]
16	GU93180080	Plug	1	
17	GU31912760	Shock-absorbersadjustment key	1	
18	GU92630205	Nut	2	Technical Specifications:See technical comm.n.304 of 1995[30495C]
19	GU95000205	Washer	2	Technical Specifications:See technical comm.n.304 of 1995[30495C]
20	GU30930676	Name plate 75	1	
21	GU39922200	Plate	2	

Assembly	FRAME
Code	33.21
Description	Foot rests
Revision	1



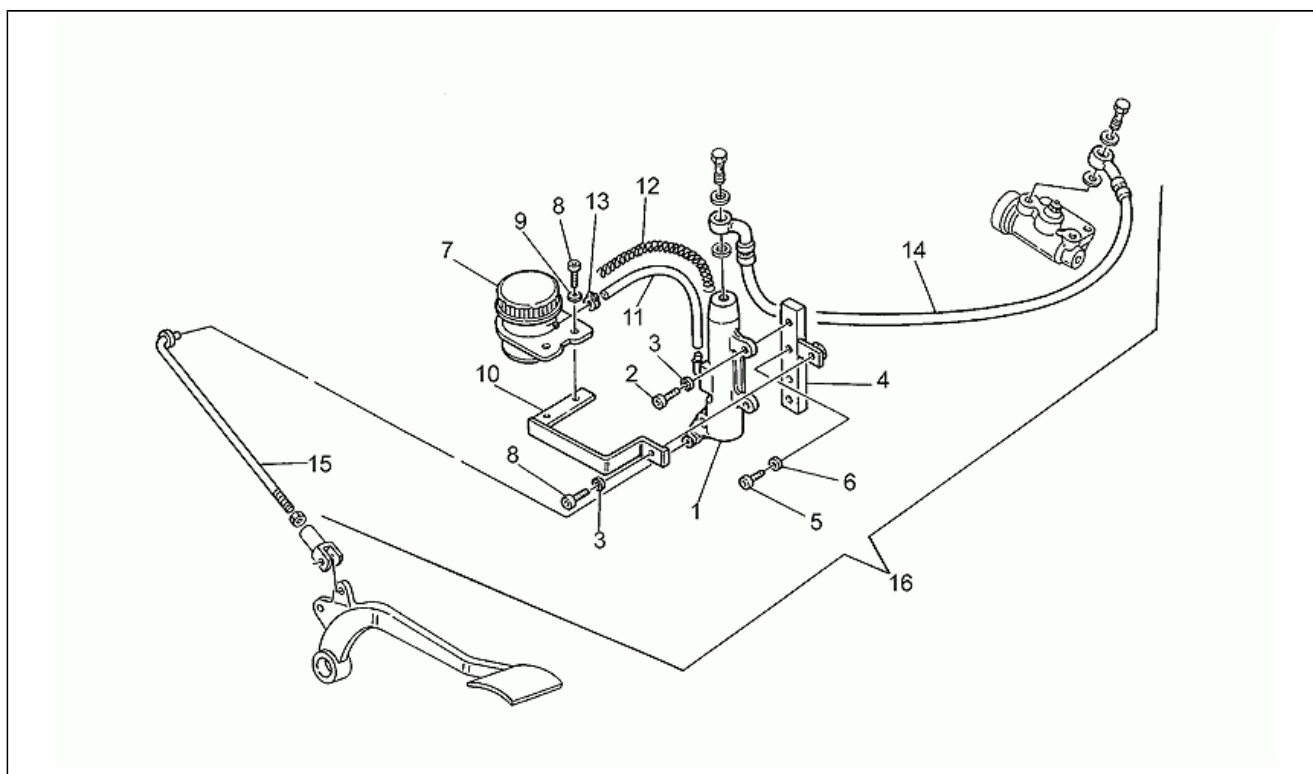
Pos.	Code	Description	Q.ty	Variants
1	GU30420360	RH cradle arms conn.crosspiece	1	
2	GU30422160	LH cradle arms conn.crosspiece	1	
3	GU30446960	RH cover	1	
4	GU30447460	LH cover	1	
5	GU98230620	Screw	5	
6	GU92602206	Nut	1	
7	GU93231606	Antivibration bush M6	5	
8	GU30447060	Mat	2	
9	GU29443501	Foot rest	2	
10	GU98052435	Hex screw M8X35	4	Technical Specifications:Second series[2A]
10	GU98107035	Screw	4	Technical Specifications:First series[1A]
11	GU92630108	Nut	4	Technical Specifications:Second series[2A]
11	GU92700073	Nut	8	Technical Specifications:First series[1A]
12	GU14429500	Pin	1	
13	GU95000213	Washer	2	
14	GU92602312	Nut	1	
15	GU29443550	RH foot rest support polished	1	
16	GU23440710	RH front foot rest pipe	1	
17	GU29446050	LH footrest support polished	1	
18	GU23441810	LH front foot rest pipe	1	
19	GU23443210	Rubber pedal	2	
20	GU23441210	Plate	2	
21	GU98054314	Screw	2	
22	GU95129130	Spring washer	2	
23	GU91180602	Spacer	2	
24	GU29442250	Screw	2	
25	GU61270300	Spring washer 8x15x0,3	6	
26	GU92781081	Nut	2	

Assembly	FRAME
Code	33.21
Description	Foot rests
Revision	1



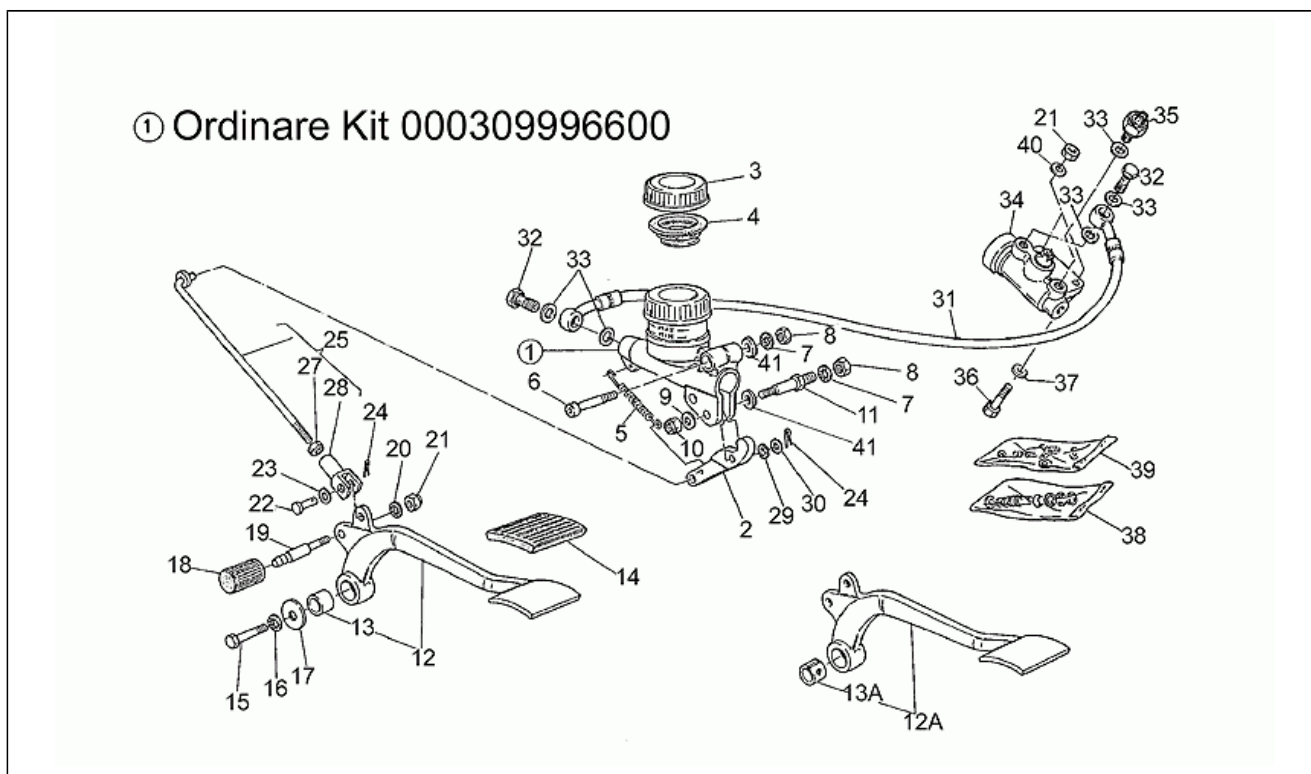
Pos.	Code	Description	Q.ty	Variants
27	GU98623635	Screw M12X35	2	
28	GU98621650	Screw M12X50	2	
29	GU17444250	Plate	2	
30	GU95100414	Washer	4	
31	GU95021112	Notched washer	4	
32	GU92602512	Low nut M12x1,25	1	
33	GU92602312	Nut	3	
34	GU98074345	Adjuster screw	1	
35	GU93180245	Plug	1	
36	GU95001206	Washer	5	
37	GU30425260	Cradle arms conn.crosspiece	1	
38	GU98231022	Screw	2	
39	GU95021110	Notched washer	2	
40	GU29447150	Drift	4	

Assembly	FRAME
Code	33.22
Description	Rear brake m.cylinder I
Revision	1



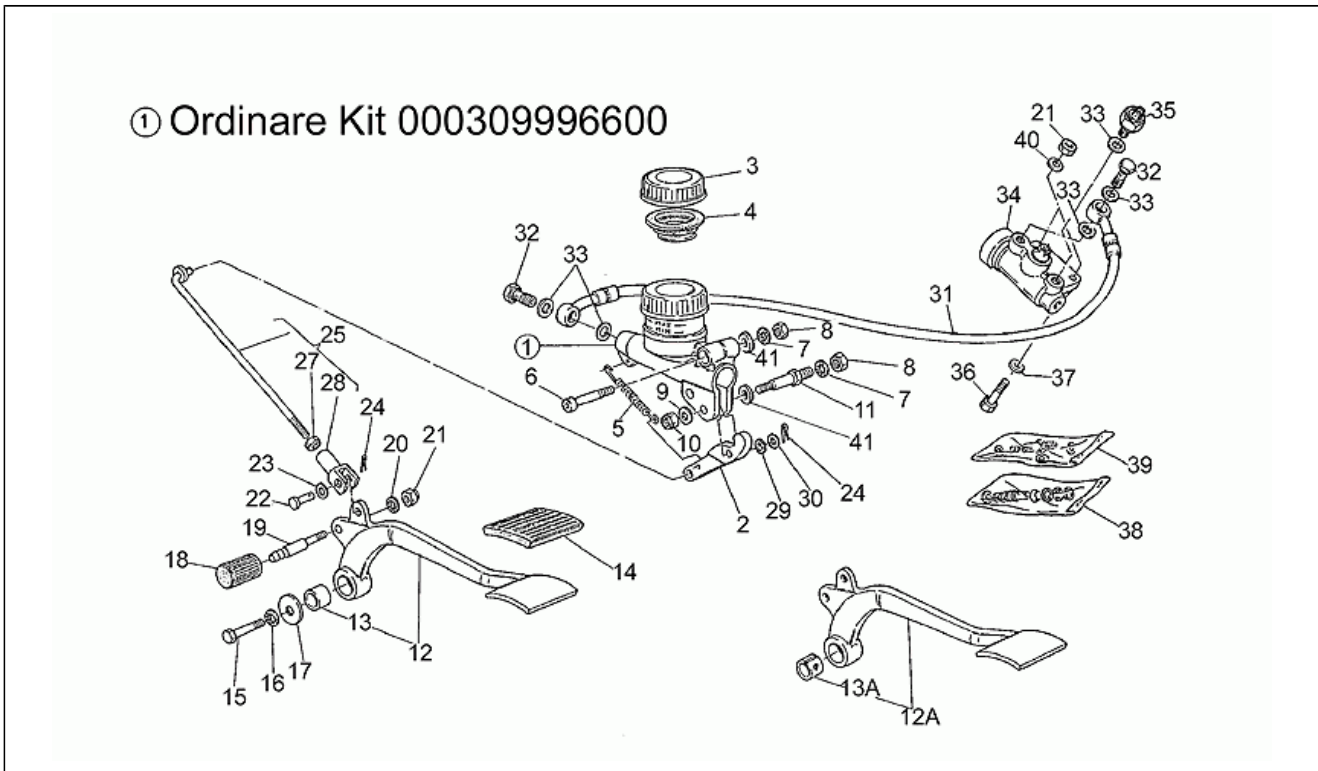
Pos.	Code	Description	Q.ty	Variants
1	GU30666960	Rear master cylinder	1	Technical Specifications: See technical comm.n.307 of 1995[30795C], From frame KC12446-KD12178[T2]
2	GU98622320	Screw	2	Technical Specifications: See technical comm.n.307 of 1995[30795C], From frame KC12446-KD12178[T2]
3	GU14217901	Washer 6,4x10x0,7	3	Technical Specifications: See technical comm.n.307 of 1995[30795C], From frame KC12446-KD12178[T2]
4	GU30666760	Support plate	1	Technical Specifications: See technical comm.n.307 of 1995[30795C], From frame KC12446-KD12178[T2]
5	GU98054412	Screw	2	Technical Specifications: See technical comm.n.307 of 1995[30795C], From frame KC12446-KD12178[T2]
6	GU14615901	Washer 8,4X13X0,8	2	Technical Specifications: See technical comm.n.307 of 1995[30795C], From frame KC12446-KD12178[T2]
7	GU65663500	Brake oil tank	1	Technical Specifications: See technical comm.n.307 of 1995[30795C], From frame KC12446-KD12178[T2]
8	GU98622310	Screw	3	Technical Specifications: See technical comm.n.307 of 1995[30795C], From frame KC12446-KD12178[T2]
9	GU95000206	Washer	2	Technical Specifications: See technical comm.n.307 of 1995[30795C], From frame KC12446-KD12178[T2]
10	GU30666060	Oil tank plate	1	Technical Specifications: See technical comm.n.307 of 1995[30795C], From frame KC12446-KD12178[T2]
11	GU00823950050	Oil pipe	1	Technical Specifications: See technical comm.n.307 of 1995[30795C], From frame KC12446-KD12178[T2]
12	GU30665860	Spring	1	Technical Specifications: See technical comm.n.307 of 1995[30795C], From frame KC12446-KD12178[T2]
13	GU19157800	Hose clamp	2	Technical Specifications: See technical comm.n.307 of 1995[30795C], From frame KC12446-KD12178[T2]
14	GU30658561	Rear brake hose	1	Technical Specifications: See technical comm.n.307 of 1995[30795C], From frame KC12446-KD12178[T2]
15	GU30675160	Tie rod	1	Technical Specifications: See technical comm.n.307 of 1995[30795C], From frame KC12446-KD12178[T2]
16	GU30999660	Rear brake master cyl.kit	1	Technical Specifications: See technical comm.n.307 of 1995[30795C], From frame KC12446-KD12178[T2]

Assembly	FRAME
Code	33.23
Description	Rear brake m.cylinder II
Revision	1



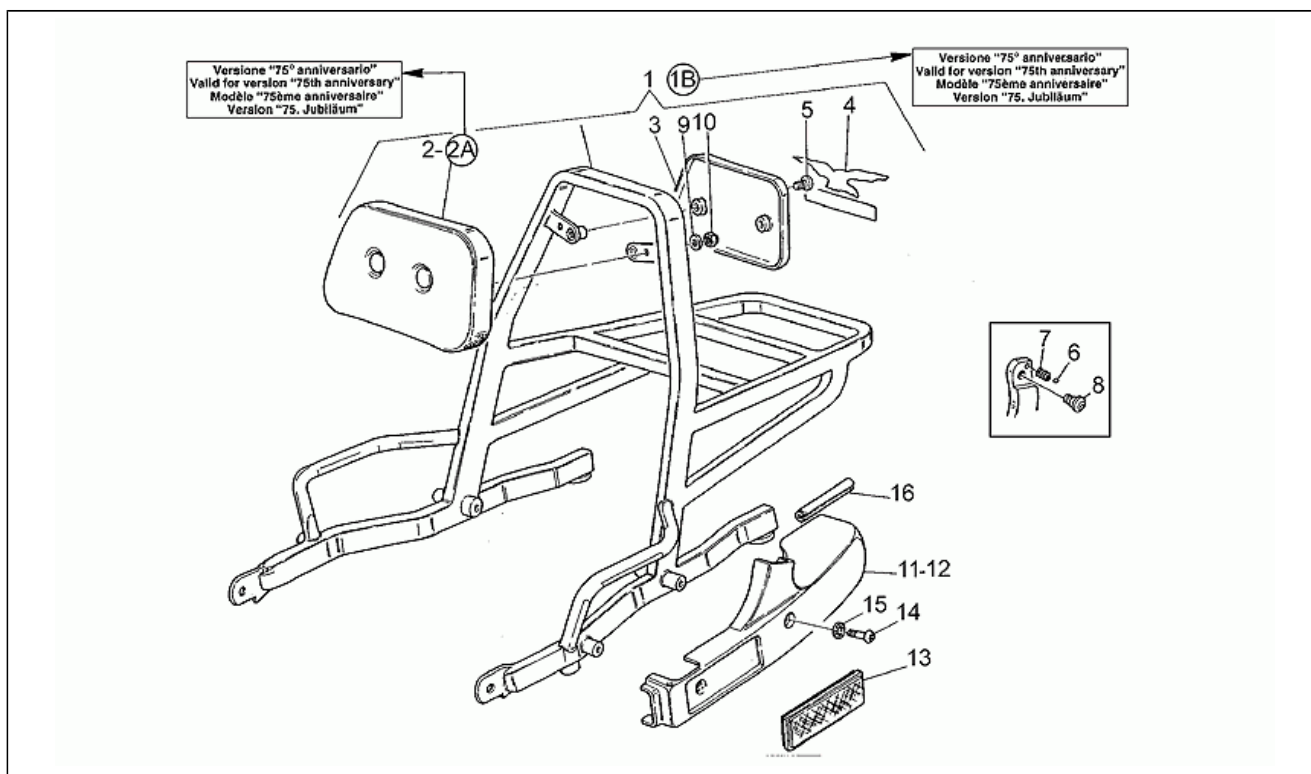
Pos.	Code	Description	Q.ty	Variants
1	GU29667000	Rear master cylinder	1	Technical Specifications: Exhausted[E], Order kit 30999660[O1], Up to frame >KC12446->KD12178[T1]
2	GU17667550	Pump control lever	1	
3	GU14661100	Cover	1	
4	GU14661300	Diaphragm	1	
5	GU17667650	Spring	1	
6	GU98620440	Screw M8X40	1	
7	GU95021108	Spring washer	2	
8	GU92602208	Nut M8X1,25	2	
9	GU95000206	Washer	2	
10	GU92630206	Nut M6x1	2	
11	0000000	Tyre 110/90"	1	
12	GU30675960	Brake lever	1	
13	GU30678160	Bush	1	
14	GU43262180	Rubber pedal	1	
15	GU98230816	Screw	1	
16	GU61270300	Spring washer 8x15x0,3	1	
17	GU18259151	Washer	1	
18	GU13432640	Rubber pedal	1	
19	GU18678350	Pin	1	
20	GU61013800	Special washer	1	
21	GU92602206	Nut	3	
22	GU95770265	Pin	1	
23	GU95129110	Washer	1	
24	GU95500222	Split pin	2	
25	GU18675052	Change gear tie rod compl.	1	
27	GU92690073	Nut	1	
28	GU95740175	Fork	1	

Assembly	FRAME
Code	33.23
Description	Rear brake m.cylinder II
Revision	1



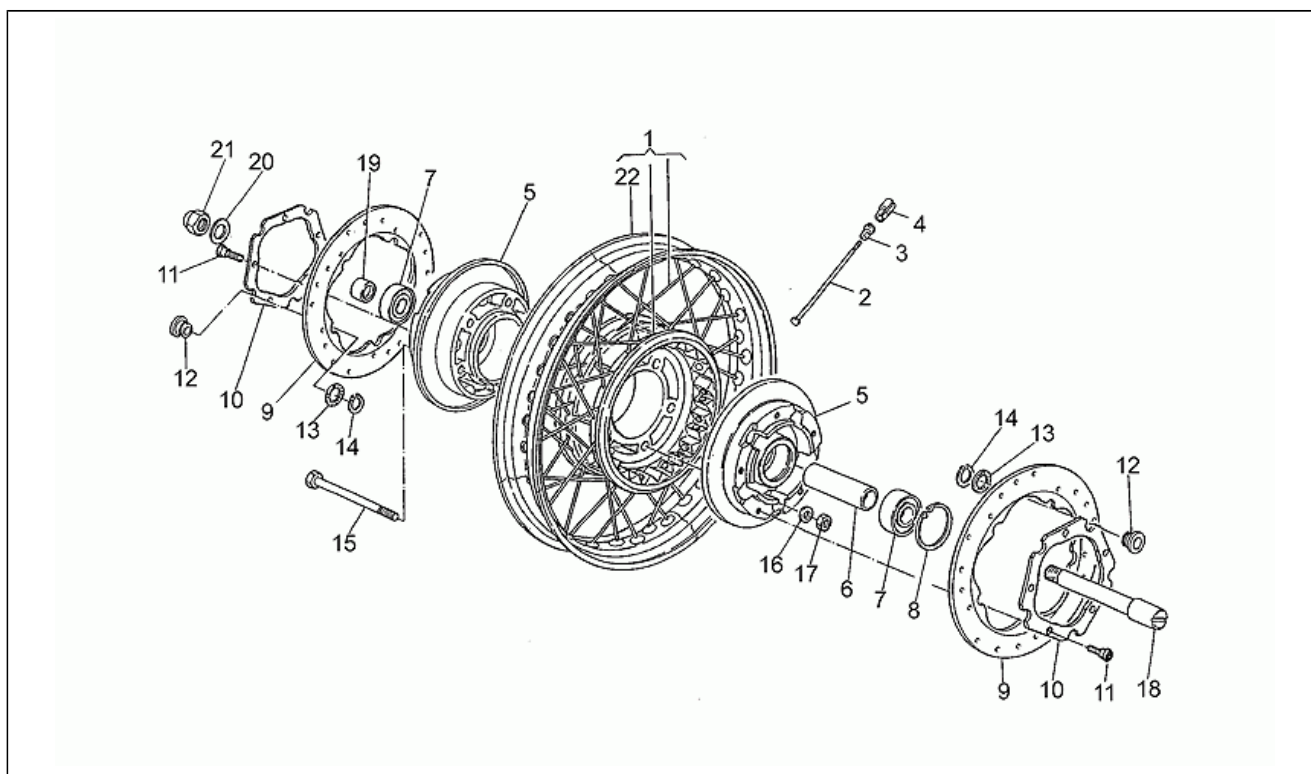
Pos.	Code	Description	Q.ty	Variants
29	GU95129130	Spring washer	1	
30	GU95100173	Washer 7,5x13x1	1	
31	GU30658560	Pipe	1	
32	GU95990028	Oil pipe screw *	2	
33	GU25656100	Gasket	5	
34	GU27668561	Valve	1	
35	GU63657000	Switch	1	
36	GU98054318	Screw	2	
37	GU61013800	Special washer	2	
38	GU17659350	Pump revision kit	1	
39	GU14659450	Pads kit	1	
40	GU95004206	Washer 6,15x11x0,8	2	
41	GU95100253	Washer 8,4x15x1,8	2	

Assembly	FRAME
Code	33.24
Description	Luggage rack
Revision	1



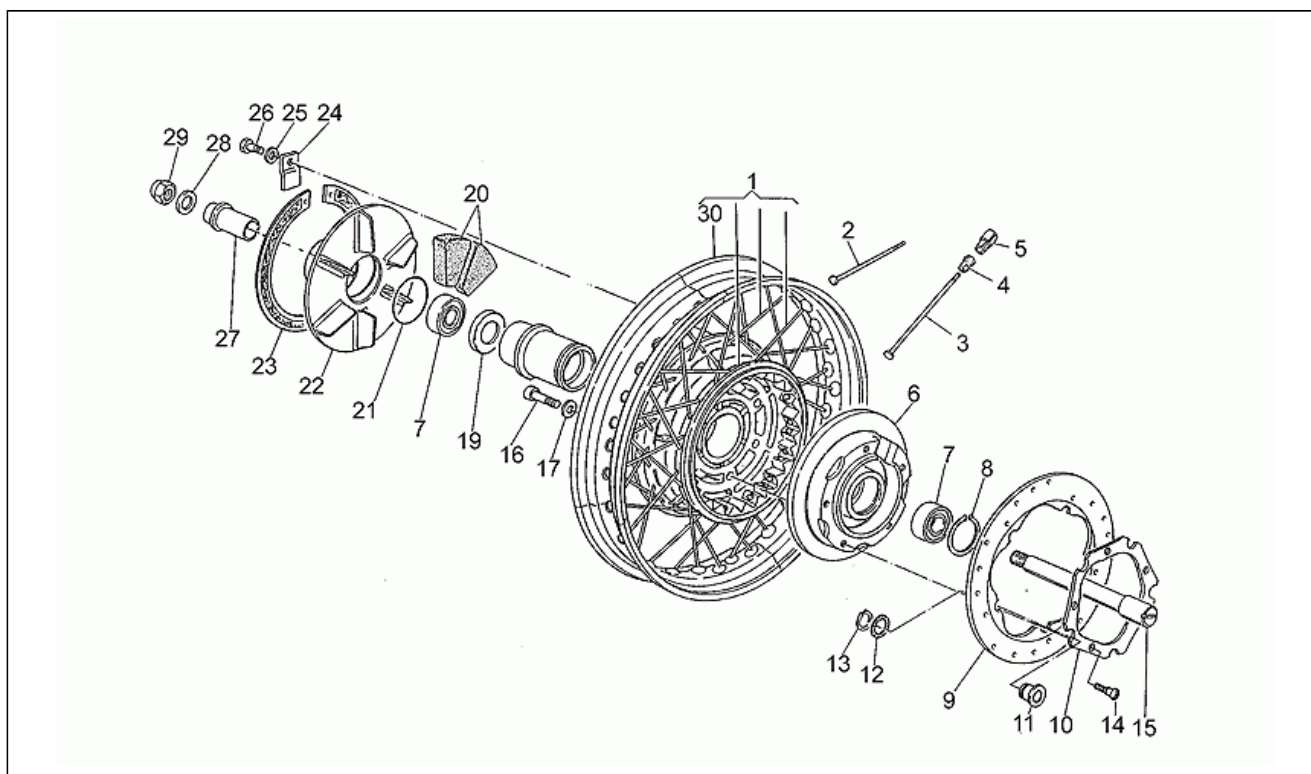
Pos.	Code	Description	Q.ty	Variants
1	GU30466562	Tilting luggage rack assy	1	Country:Germany[D]
1	GU30466564	Fixed luggage rack assy	1	
1	GU30466576	Fixed luggage rack assy	1	Technical Specifications:75° Anniversary[75]
2	GU30468076	Leather cushion Waterproof	1	Technical Specifications:75° Anniversary[75]
2	GU31468065	Seat cushion	1	
3	GU31468265	Seat cushion	1	
4	GU30942300	Decal "Moto Guzzi"	1	year: 1996[T] Technical Specifications:With decal gold/black[D1]
4	GU30942301	Decal "Moto Guzzi"	1	year: 1996[T] Technical Specifications:With decal gold/red[D2]
5	GU98230619	Hex socket screw M6x18	2	
6	GU92295704	Ball	1	Technical Specifications:Back[SR]
7	GU94321007	Spring	1	Technical Specifications:Back[SR]
8	GU31468165	Screw	2	Technical Specifications:Back[SR]
9	GU95001206	Washer	2	
10	GU92601206	Nut	2	
11	GU30466961	RH protection	1	Technical Specifications:See spare parts comm.n.035 of 1999[03599N]
12	GU30467361	LH protection	1	Technical Specifications:See spare parts comm.n.035 of 1999[03599N]
13	GU31781565	Reflector	2	Color: Bright red 112[r.] Country:United States of America[USA]
13	GU31781665	Reflector, amber	2	
14	GU98230615	Screw	2	
15	GU61013800	Special washer	2	
16	GU00823931080	Gasket PVC	1	

Assembly	FRAME
Code	33.25
Description	Front wheel
Revision	1



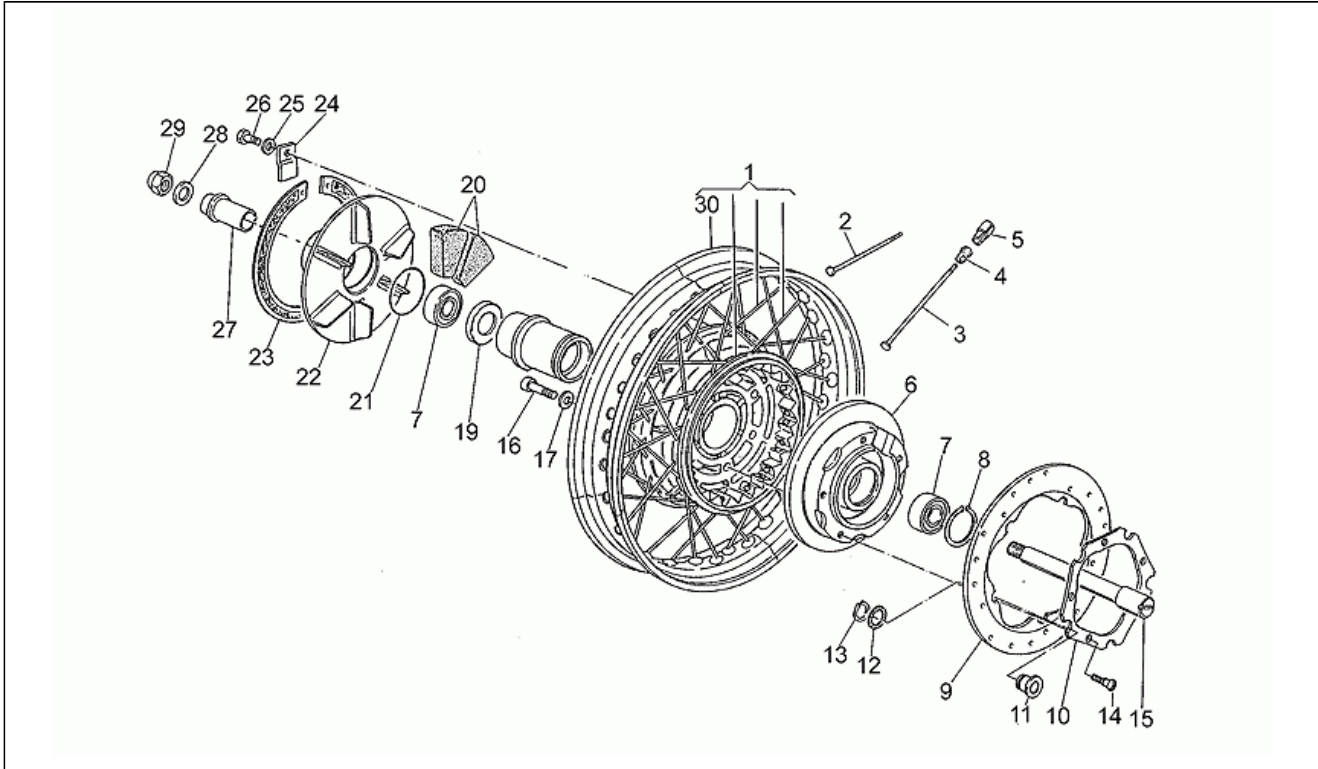
Pos.	Code	Description	Q.ty	Variants
1	GU30610360	Front wheel	1	
2	GU28611633	Long spoke	40	
3	GU28611733	Nipple	40	
4	GU12616101	Counterweight 15 gr.	1	
4	GU12616102	Counterweight 20 gr.	1	
4	GU12616103	Counterweight 30 gr.	1	
5	GU30620360	Flange	2	
6	GU29615260	Spacer	1	
7	GU92204220	Ball bearing 20X47X14	2	
8	GU90272047	Circlip 47X50,5	1	
9	GU30613660	Front brake disc	2	
10	GU30613760	Flange	2	
11	GU30611460	Screw	10	
12	GU28613560	Bush	10	
13	GU28618860	Belleville spring	10	
14	GU90271022	Circlip	10	
15	GU98052480	Screw	5	
16	GU14615901	Washer 8,4X13X0,8	5	
17	GU92630508	Nut	1	
18	GU29614160	Front wheel spindle	1	
19	GU29615660	Spacer	1	
20	GU95004217	Washer 17X27X2	1	
21	GU29616450	Nut	1	
22	GU30610860	Front wheel	1	

Assembly	FRAME
Code	33.26
Description	Rear wheel
Revision	1



Pos.	Code	Description	Q.ty	Variants
1	GU30630660	Rear wheel	1	
2	GU30631160	Short spoke	20	
3	GU30631430	Long spoke	20	
4	GU27611710	Nipples	40	
5	GU12616101	Counterweight 15 gr.	1	
5	GU12616102	Counterweight 20 gr.	1	
5	GU12616103	Counterweight 30 gr.	1	
6	GU30632460	Flange	1	
7	GU92204220	Ball bearing 20X47X14	2	
8	GU90272047	Circlip 47X50,5	1	
9	GU30635860	Brake disc	1	
10	GU30613760	Flange	1	
11	GU28613560	Bush	5	
12	GU28618860	Belleville spring	5	
13	GU90271022	Circlip	5	
14	GU30611460	Screw	5	
15	GU30633360	Rear wheel spindle	1	
16	GU98622430	Screw M8X30	6	
17	GU14615901	Washer 8,4X13X0,8	6	
19	GU17633550	Cup	1	
20	GU01336800	Rubber cush drive hub	12	
21	GU90706490	O-ring	1	
22	GU30335260	Flexible coupling disc	1	
23	GU14335303	Snap ring	1	
24	GU17335950	Plate	1	
25	GU61013800	Special washer	1	
26	GU98054312	Screw	1	
27	GU30634160	Spacer	1	

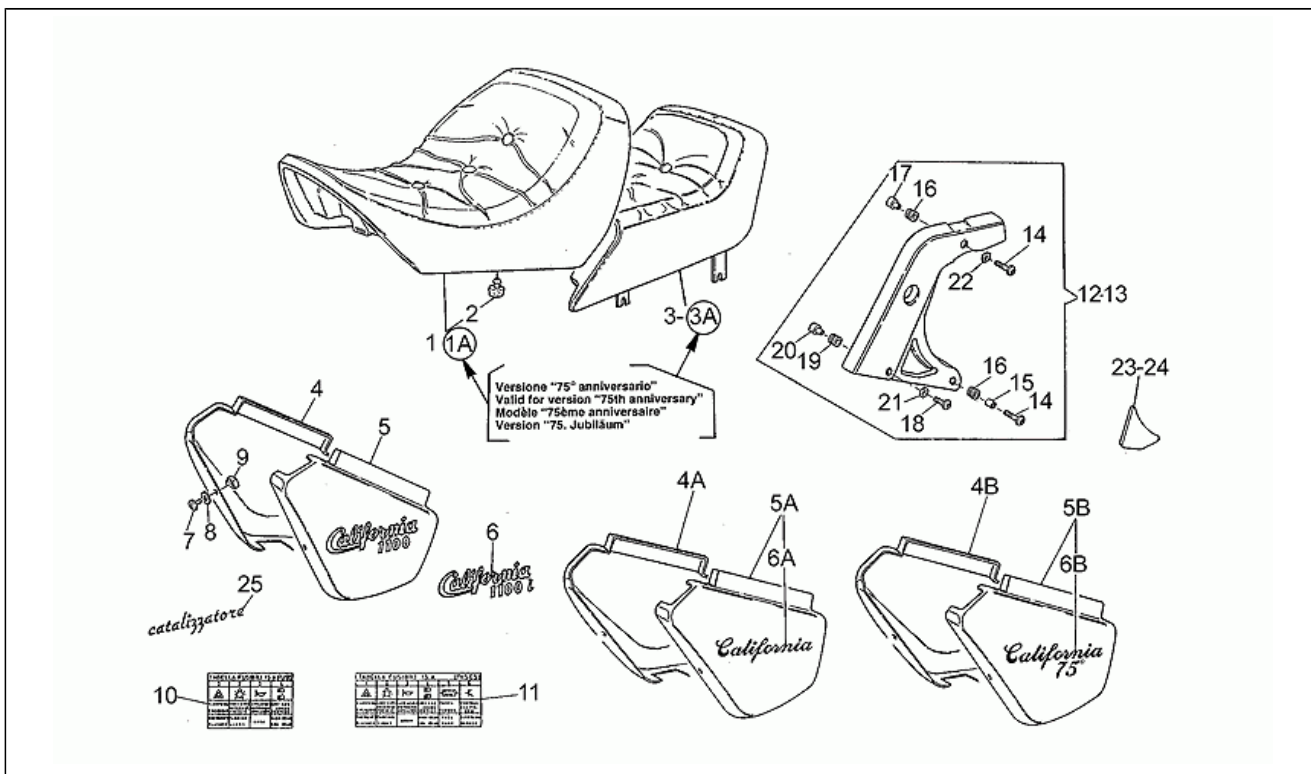
Assembly	FRAME
Code	33.26
Description	Rear wheel
Revision	1



Pos.	Code	Description	Q.ty	Variants
28	GU14634400	Washer	1	
29	GU29616450	Nut	1	
30	GU30630760	Rear wheel	1	



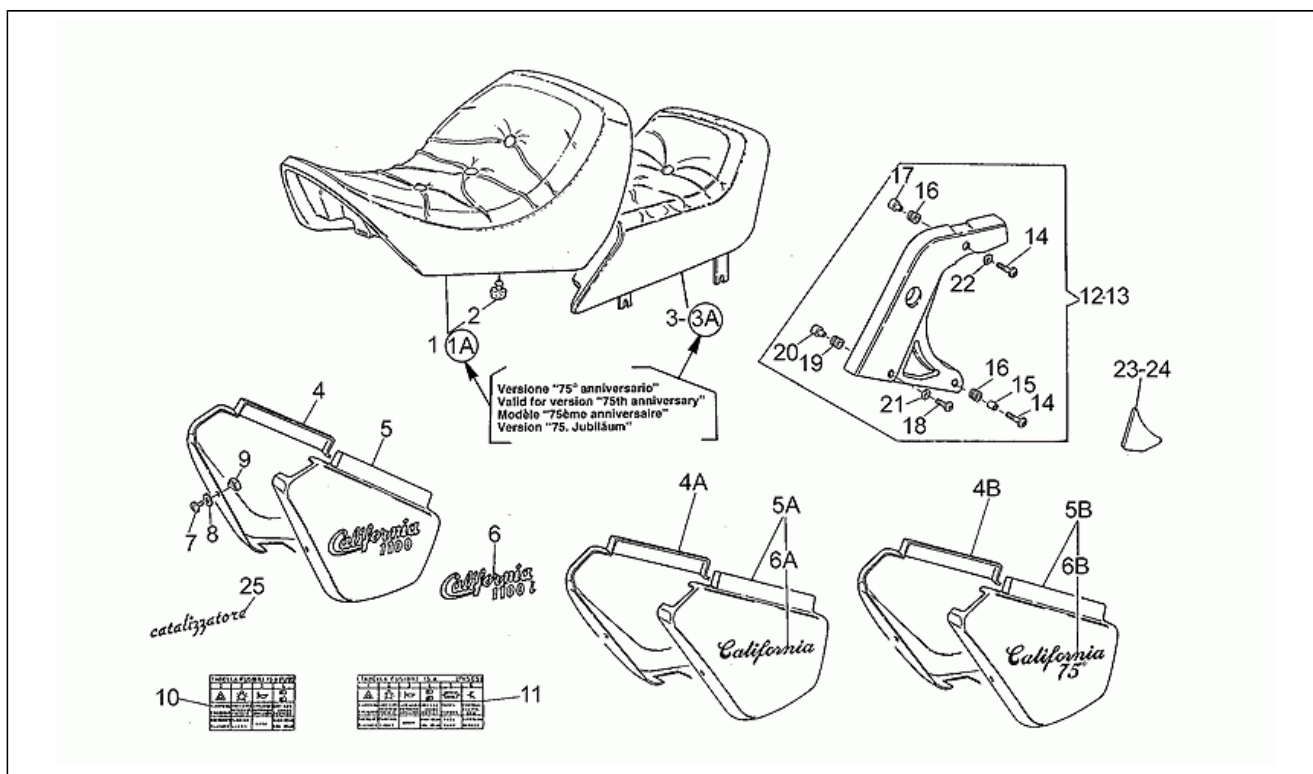
Assembly	FRAME
Code	33.27
Description	Saddle-Central bod
Revision	1



Pos.	Code	Description	Q.ty	Variants
1	GU30460560	Saddle	1	
1	GU30460576	Driver saddle Waterproof	1	Technical Specifications: 75° Anniversary[75]
2	GU29461650	Drift	4	
3	GU30464060	Rear saddle	1	
3	GU30464076	Rear saddle Waterproof	1	Technical Specifications: 75° Anniversary[75]
4	GU294762601	RH side panel	1	Color: Blank[gr.]
4	GU30476261	RH side panel	1	Color: Hot black 525[b.]
4	GU30476262	RH side panel	1	Color: Hot black 525[b.], Metallized grey 301[g.]
4	GU30476263	RH side panel	1	Color: Cherry red 141[c.r.], Shiny black 532[l.b.]
4	GU30476264	RH side panel	1	Color: Shiny black 532[l.b.], Ginestra Yellow 046[y.]
4	GU30476269	RH side panel, blue/gold	1	Country: Holland[NL]
4	GU30476279	RH side panel	1	year: 1996[T] Color: Amaranth red 142[a.r.] Technical Specifications: "A" letter in draw[A]
4	GU30476287	RH side panel	1	year: 1996[T] Color: Metallized green 301[m.g.] Technical Specifications: "A" letter in draw[A]
4	GU89000082	RH side panel	1	year: 1996[T] Color: Night blue 237[n.b.] Technical Specifications: "A" letter in draw[A]
4	GU89000083	RH side panel	1	year: 1996[T] Color: Shiny black 532[l.b.] Technical Specifications: "A" letter in draw[A]
4	GU89000120	RH side panel	1	Color: Metallized grey 301[g.] Technical Specifications: 75° Anniversary[75]
5	GU294763501	LH side panel	1	Color: Blank[gr.]
5	GU30476361	LH side panel	1	Color: Shiny black 532[l.b.]
5	GU30476362	LH side panel	1	Color: Hot black 525[b.], Metallized grey 301[g.]
5	GU30476363	LH side panel	1	Color: Cherry red 141[c.r.], Shiny black 532[l.b.]
5	GU30476364	LH side panel	1	Color: Shiny black 532[l.b.], Ginestra Yellow 046[y.]

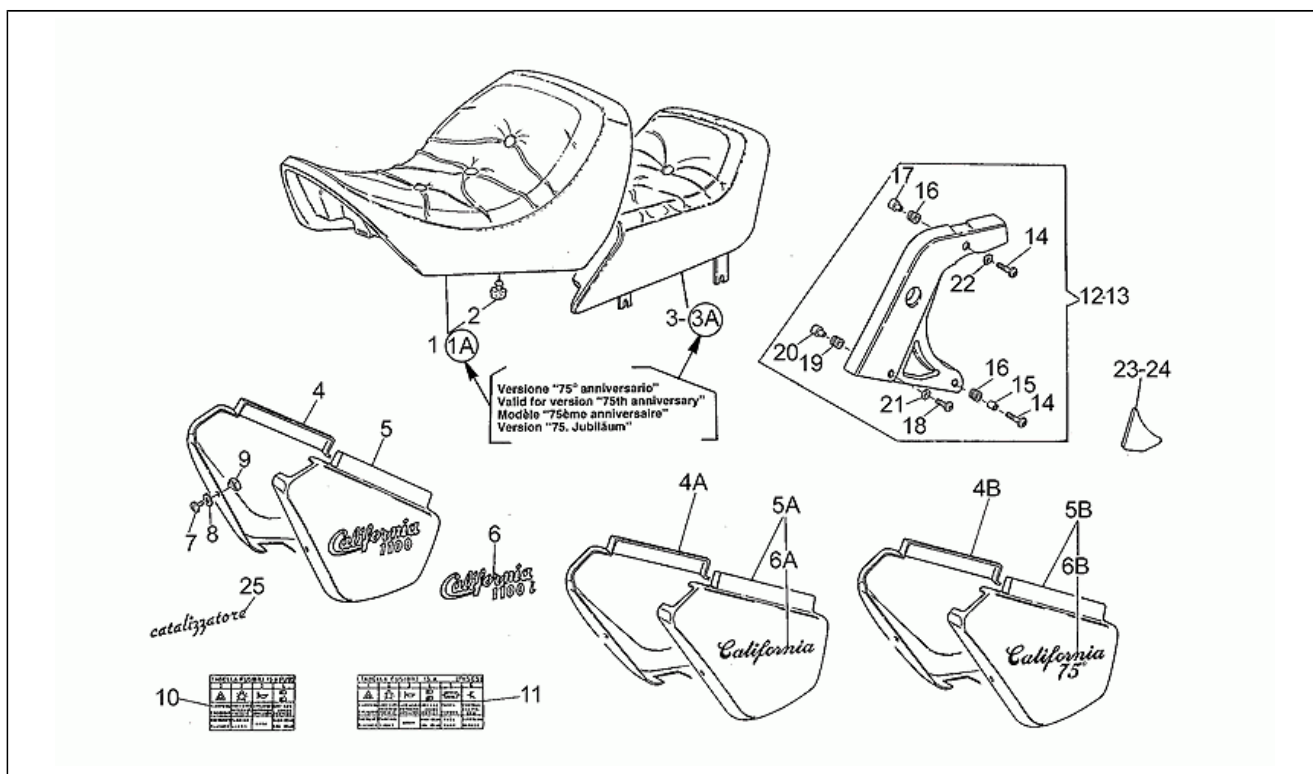


Assembly	FRAME
Code	33.27
Description	Saddle-Central bod
Revision	1



Pos.	Code	Description	Q.ty	Variants
5	GU30476369	LH side panel, blue/gold	1	Country:Holland[NL]
5	GU30476379	LH side panel	1	year: 1996[T] Color: Amaranth red 142[a.r.] Technical Specifications:"A" letter in draw[A]
5	GU30476394	LH side panel	1	year: 1996[T] Color: Shiny black 532[l.b.] Technical Specifications:"A" letter in draw[A]
5	GU30476395	LH side panel	1	year: 1996[T] Color: Metallized green 301[m.g.] Technical Specifications:"A" letter in draw[A]
5	GU89000084	LH side panel	1	year: 1996[T] Color: Night blue 237[n.b.] Technical Specifications:"A" letter in draw[A]
5	GU89000123	LH side panel	1	Color: Metallized grey 301[g.] Technical Specifications:75° Anniversary[75]
6	GU30922062	Decal "California"	2	year: 1996[T] Technical Specifications:"A" letter in draw[A], With decal gold/black[D1], California 1100 cc[KC/KD]
6	GU30922070	Decal "California 1100 I"	2	Technical Specifications:With decal gold/red[D2], California 1100 cc[KC/KD]
6	GU30922071	Decal "California 1100 I"	2	Technical Specifications:With decal gold/black[D1], California 1100 cc[KC/KD]
6	GU30922076	Decal "California 75"	2	Technical Specifications:75° Anniversary[75], With decal gold/black[D1], California 1100 cc[KC/KD]
6	GU30922090	Decal "California 1000 "	2	Technical Specifications:With decal gold/red[D2], California 1000 cc[KG/KH]
6	GU30922091	Decal "California 1000 "	2	Technical Specifications:With decal gold/black[D1], California 1000 cc[KG/KH]
7	GU98326016	Screw	4	
8	GU66478610	Nylon washer 6X17X1	6	
9	GU92660601	Captive nut	4	
10	GU30945460	Fuse table decal	1	Technical Specifications:Carburettor version (KC frame)[VC]

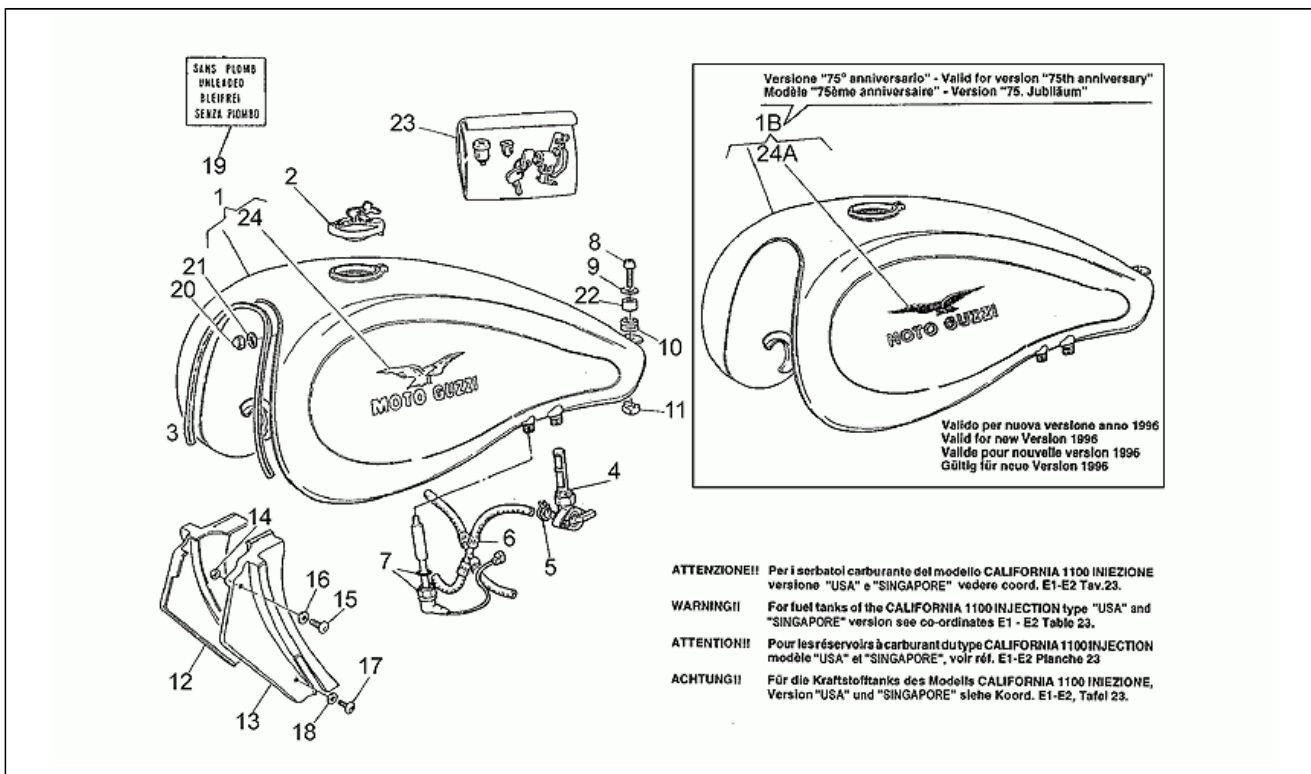
Assembly	FRAME
Code	33.27
Description	Saddle-Central bod
Revision	1



Pos.	Code	Description	Q.ty	Variants
11	GU30945470	Fuse table decal	1	Technical Specifications: Injection version (KD frame)[VI]
12	GU29457801001	LH side panel	1	Technical Specifications: See technical comm.n.306 of 1995[30695C]
13	GU29459101001	LH side panel	1	Technical Specifications: See technical comm.n.306 of 1995[30695C]
14	GU98230835	Screw M8x35	2	Technical Specifications: See technical comm.n.316 of 1995[31695C]
14	GU98230841	Screw M8x40	2	Technical Specifications: See technical comm.n.306 of 1995[30695C]
15	GU29436450	Bush	1	Technical Specifications: See technical comm.n.306 of 1995[30695C]
16	GU91551010	Rubber spacer	2	Technical Specifications: See technical comm.n.306 of 1995[30695C]
17	GU30459360	Upper spacer	1	Technical Specifications: See technical comm.n.306 of 1995[30695C]
18	GU98230626	Screw 6X25	1	Technical Specifications: See technical comm.n.306 of 1995[30695C]
19	GU91551085	Rubber spacer	1	Technical Specifications: See technical comm.n.306 of 1995[30695C]
20	GU29459336	Front spacer	1	Technical Specifications: See technical comm.n.306 of 1995[30695C]
21	GU95100121	Washer 5,3x10x0,5	1	Technical Specifications: See technical comm.n.306 of 1995[30695C]
22	GU95100218	Washer	1	Technical Specifications: See technical comm.n.306 of 1995[30695C]
23	GU29924335	RH side panel decal	1	
24	GU29924435	LH side panel decal	1	
25	GU30922035	Decal "Catalytic"	2	



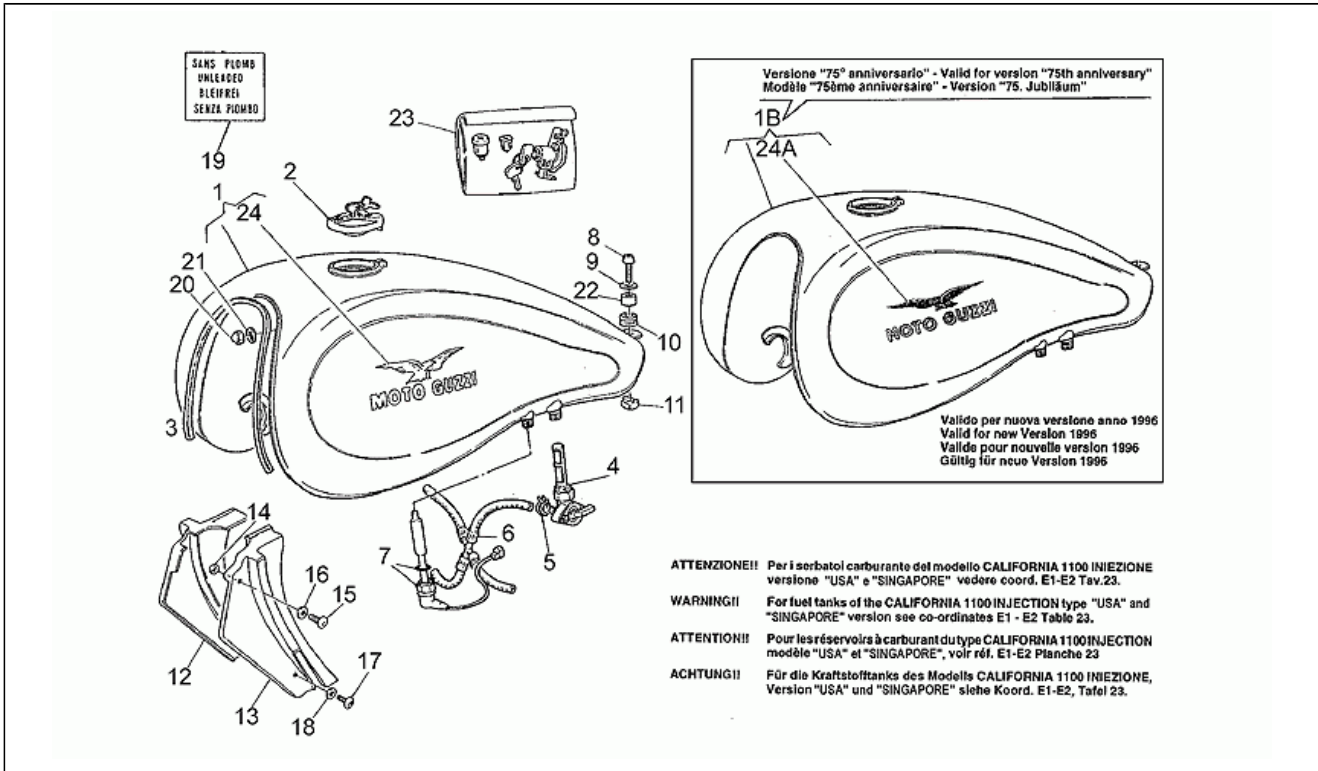
Assembly	FRAME
Code	33.28
Description	Fuel tank
Revision	1



Pos.	Code	Description	Q.ty	Variants
1	GU301002601	Fuel tank	1	Color:Blank[gr.]
1	GU30100261	Fuel tank	1	Color:Shiny black 532[l.b.]
1	GU30100262	Fuel tank	1	Color: Hot black 525[b.], Metallized grey 301[g.] Technical Specifications:With decal gold/red[D2]
1	GU30100263	Fuel tank	1	Color:Cherry red 141[c.r.], Shiny black 532[l.b.]
1	GU30100264	Fuel tank	1	Color:Shiny black 532[l.b.], Ginestra Yellow 046[y.]
1	GU301002651	Fuel tank	1	Color: Blank[gr.] Country:Switzerland[CH]
1	GU30100266	Fuel tank	1	Color: Shiny black 532[l.b.] Country:Switzerland[CH]
1	GU30100267	Fuel tank	1	Color: Hot black 525[b.], Metallized grey 301[g.] Country: Switzerland[CH] Technical Specifications:With decal gold/red[D2]
1	GU30100268	Fuel tank	1	Color: Cherry red 141[c.r.], Shiny black 532[l.b.] Country:Switzerland[CH]
1	GU30100269	Fuel tank, blue/gold	1	Country:Holland[NL]
1	GU30100274	Fuel tank	1	Color: Shiny black 532[l.b.], Ginestra Yellow 046[y.] Country:Switzerland[CH]
1	GU30100278	Fuel tank	1	Color: Hot black 525[b.], Metallized grey 301[g.] Technical Specifications:See technical comm.n.305 of 1995[30595C], With decal gold/black[D1]
1	GU30100280	Fuel tank	1	Color: Hot black 525[b.], Metallized grey 301[g.] Country: Switzerland[CH] Technical Specifications:See technical comm.n.305 of 1995[30595C], With decal gold/black[D1]
1	GU30100285	Fuel tank	1	year: 1996[T] Color: Beige[be.], Night blue 237[n.b.] Technical Specifications:"B" letter in draw[B]
1	GU30100287	Fuel tank	1	year: 1996[T] Color: Shiny black 532[l.b.], Metallized green 301[m.g.] Technical Specifications:"B" letter in draw[B]
1	GU30100292	Fuel tank	1	year: 1996[T]

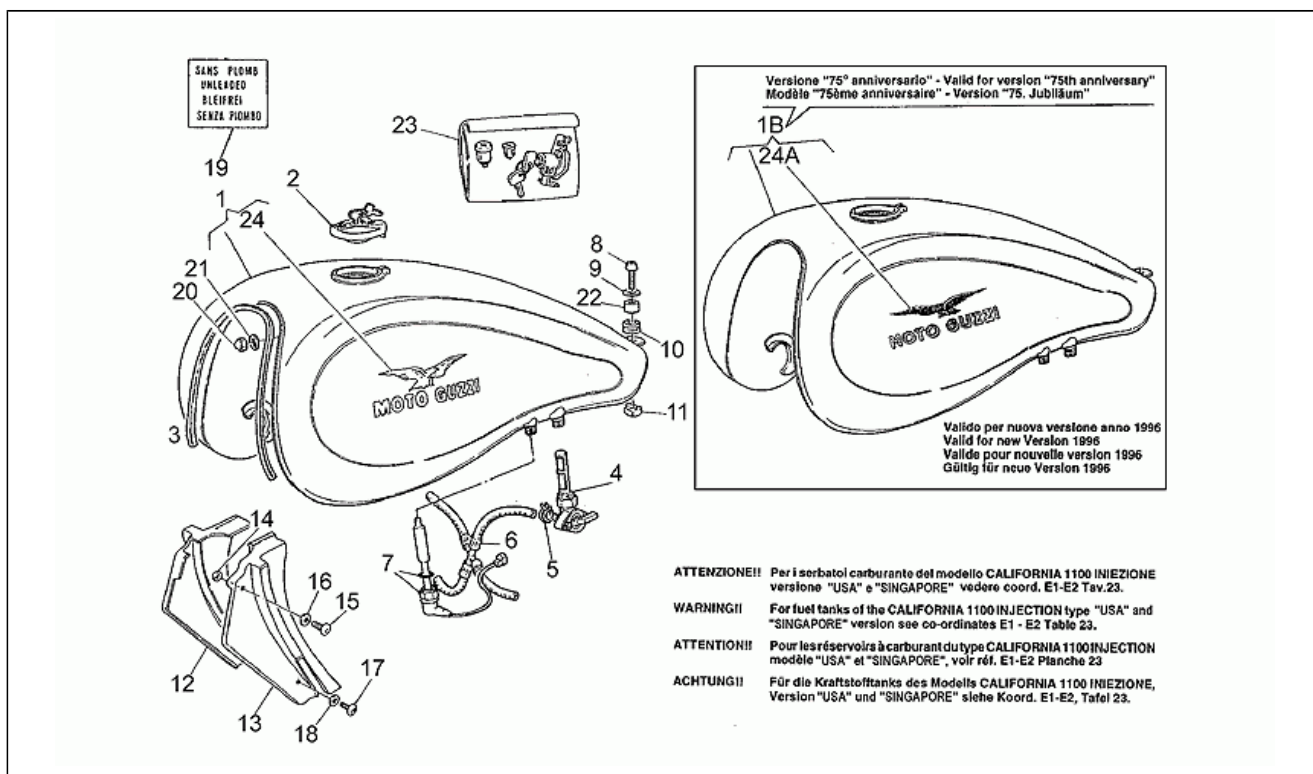


Assembly	FRAME
Code	33.28
Description	Fuel tank
Revision	1



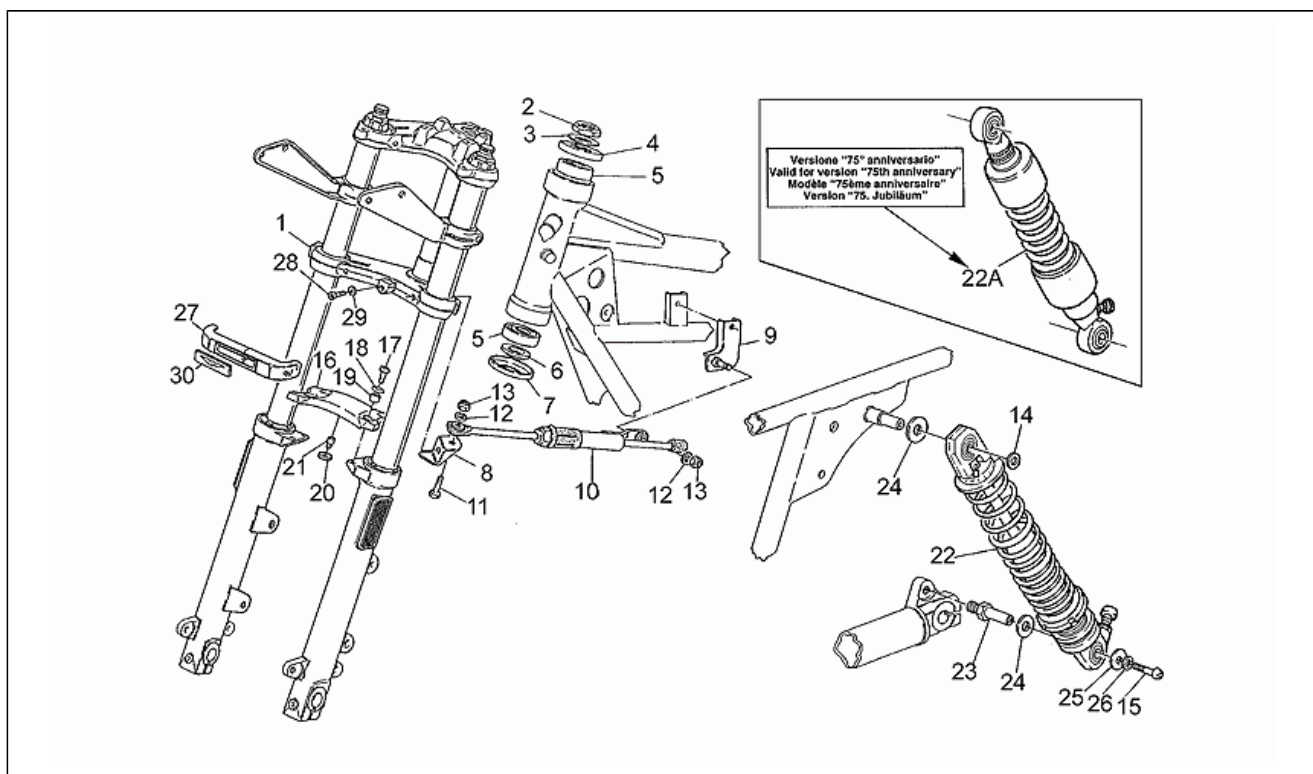
Pos.	Code	Description	Q.ty	Variants
				Color: Amaranth red 142[a.r.], Cherry red 141[c.r.] Country: Switzerland[CH] Technical Specifications: "B" letter in draw[B]
1	GU30100293	Fuel tank	1	year: 1996[T] Color: Beige[be.], Night blue 237[n.b.] Country: Switzerland[CH] Technical Specifications: "B" letter in draw[B]
1	GU30100294	Fuel tank	1	year: 1996[T] Color: Shiny black 532[l.b.], Bright red 112[r.] Country: Switzerland[CH] Technical Specifications: "B" letter in draw[B]
1	GU30100295	Fuel tank	1	year: 1996[T] Color: Shiny black 532[l.b.], Metallized green 301[m.g.] Country: Switzerland[CH] Technical Specifications: "B" letter in draw[B]
1	GU89000080	Fuel tank	1	year: 1996[T] Color: Amaranth red 142[a.r.], Cherry red 141[c.r.] Technical Specifications: "B" letter in draw[B]
1	GU89000081	Fuel tank	1	year: 1996[T] Color: Shiny black 532[l.b.], Bright red 112[r.] Technical Specifications: "B" letter in draw[B]
1	GU89000103	Fuel tank	1	year: 1996[T] Color: Shiny black 532[l.b.] Technical Specifications: "B" letter in draw[B]
1	GU89000119	Fuel tank	1	Technical Specifications: 75° Anniversary[75]
1	GU89000164	Fuel tank	1	Color: Metallized grey 301[g.], Bright red 112[r.] Country: Switzerland[CH] Technical Specifications: See spare parts comm.n.009 of 1997[00997N], 75° Anniversary[75]
2	GU30103960	Fuel filler cap	1	
3	GU00823931070	Gasket	1	
4	GU23105470	RH fuel cock	2	
5	GU28108410	Hose clamp	4	

Assembly	FRAME
Code	33.28
Description	Fuel tank
Revision	1



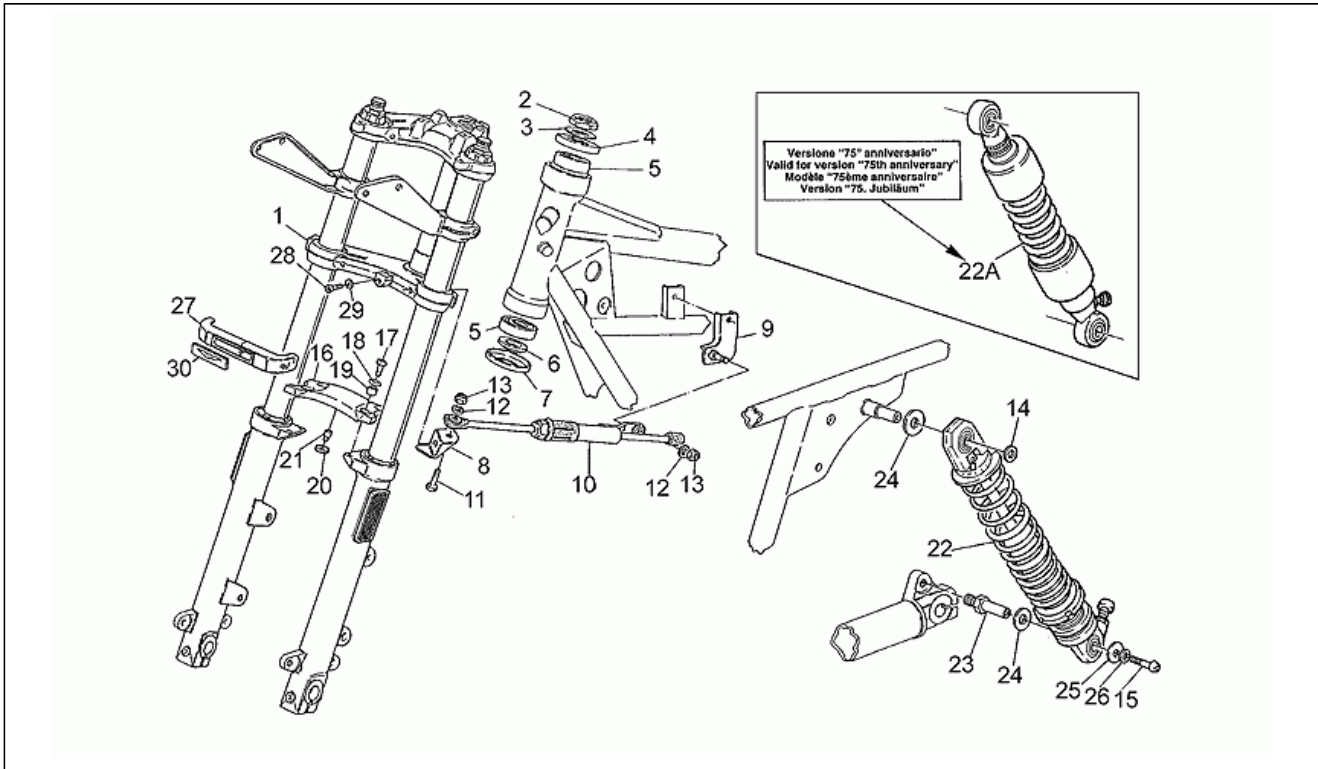
Pos.	Code	Description	Q.ty	Variants
6	GU29106500	Fuel pipe	1	
7	GU30103060	Fuel level sensor	1	
8	GU98230830	Screw	1	
9	GU95100239	Washer	1	
10	GU91551131	Rubber spacer	1	
11	GU92660801	Captive nut	1	
12	GU30472460	RH front protect black	1	
13	GU30472960	LH front protect black	1	
14	GU93110082	Rubber spacer	2	
15	GU98230816	Screw	2	
16	GU95001208	Washer	2	
17	GU98230612	Screw	2	
18	GU95001206	Washer	2	
19	GU29995735	Sticker	1	Country:Switzerland[CH]
20	GU28105280	Plug	1	
21	GU25656102	Gasket	1	
22	GU28462645	Spacer	1	
23	GU30736860	Lock hardware kit	1	
24	GU19917835	Fuel tank decal	2	Technical Specifications:With decal gold/black[D1]
24	GU29917853	"MotoGuzzi" dec.	2	Technical Specifications:With decal gold/red[D2]
24	GU30917860	"MotoGuzzi"RH decal,gold/black	1	Technical Specifications:"A" letter in draw[A], With decal gold/black[D1]
24	GU30917960	"MotoGuzzi"LH decal,gold/black	1	Technical Specifications:"A" letter in draw[A], With decal gold/red[D2]

Assembly	FRAME
Code	33.29
Description	Front/rear shock absorber
Revision	1



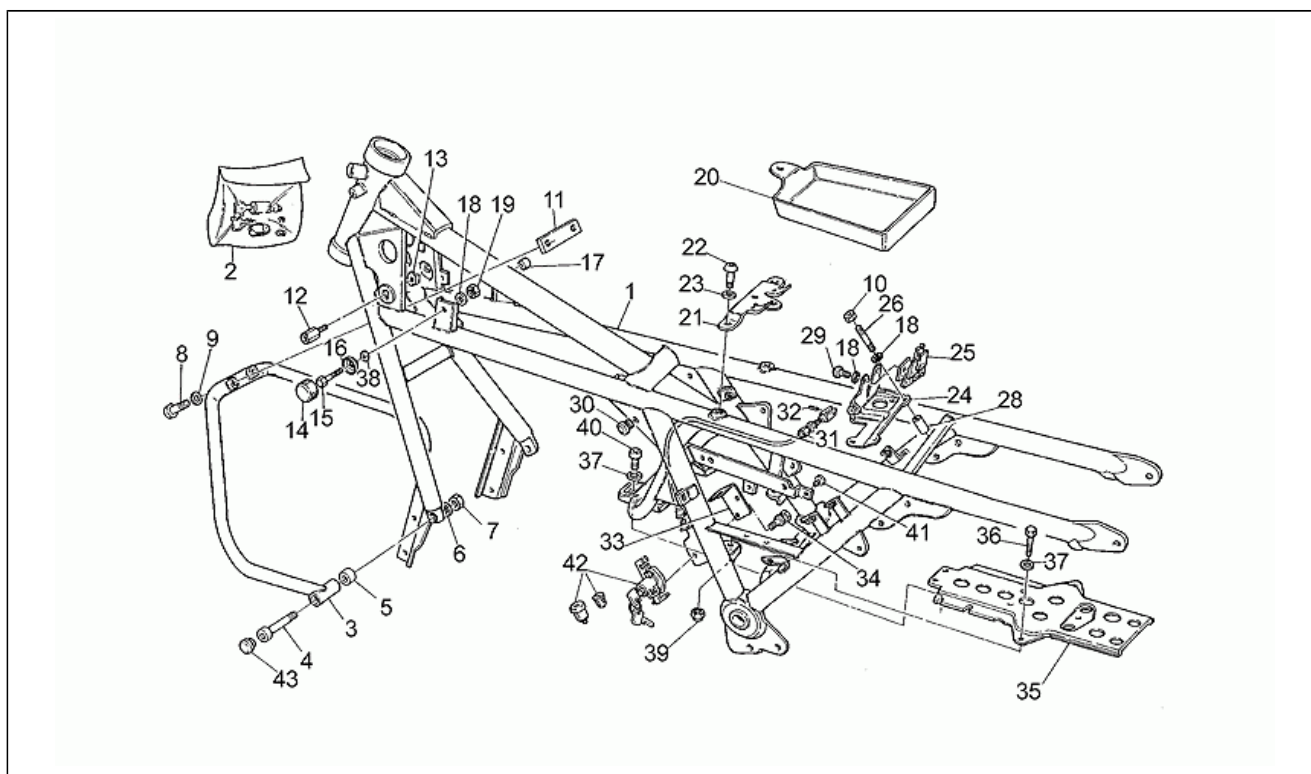
Pos.	Code	Description	Q.ty	Variants
1	GU30490261	Front fork	1	
2	GU18513460	Plug	1	
3	GU18513560	Stem plug washer	1	
4	GU14494600	Cup	1	
5	GU92249225	Tap.roller bearing	2	
6	GU14516700	Clearance washer	1	
7	GU14517000	Dust cover	1	
8	GU29531850	Clamp	1	
9	GU29531050	Clamp	1	
10	GU17530260	Steering shock absorber	1	
11	GU98054325	Screw	1	
12	GU95000206	Washer	3	
13	GU92630206	Nut M6x1	2	
14	GU61270300	Spring washer 8x15x0,3	4	
15	GU98230816	Screw	2	
16	GU29436650	Stabilization plate	1	
17	GU98230816	Screw	4	
18	GU90706092	O-ring	8	
19	GU29436450	Bush	4	
20	GU66478610	Nylon washer 6X17X1	1	
21	GU29439550	Pin	1	
22	GU30550260	Rear shock absorber	2	
22	GU30550276	Rear shock absorber	2	Technical Specifications:75° Anniversary[75]
23	GU29541850	Pin	1	
24	GU95100535	Washer	4	
25	GU95100239	Washer	2	
26	GU95004208	Washer	2	
27	GU30751360	Guard	1	

Assembly	FRAME
Code	33.29
Description	Front/rear shock absorber
Revision	1



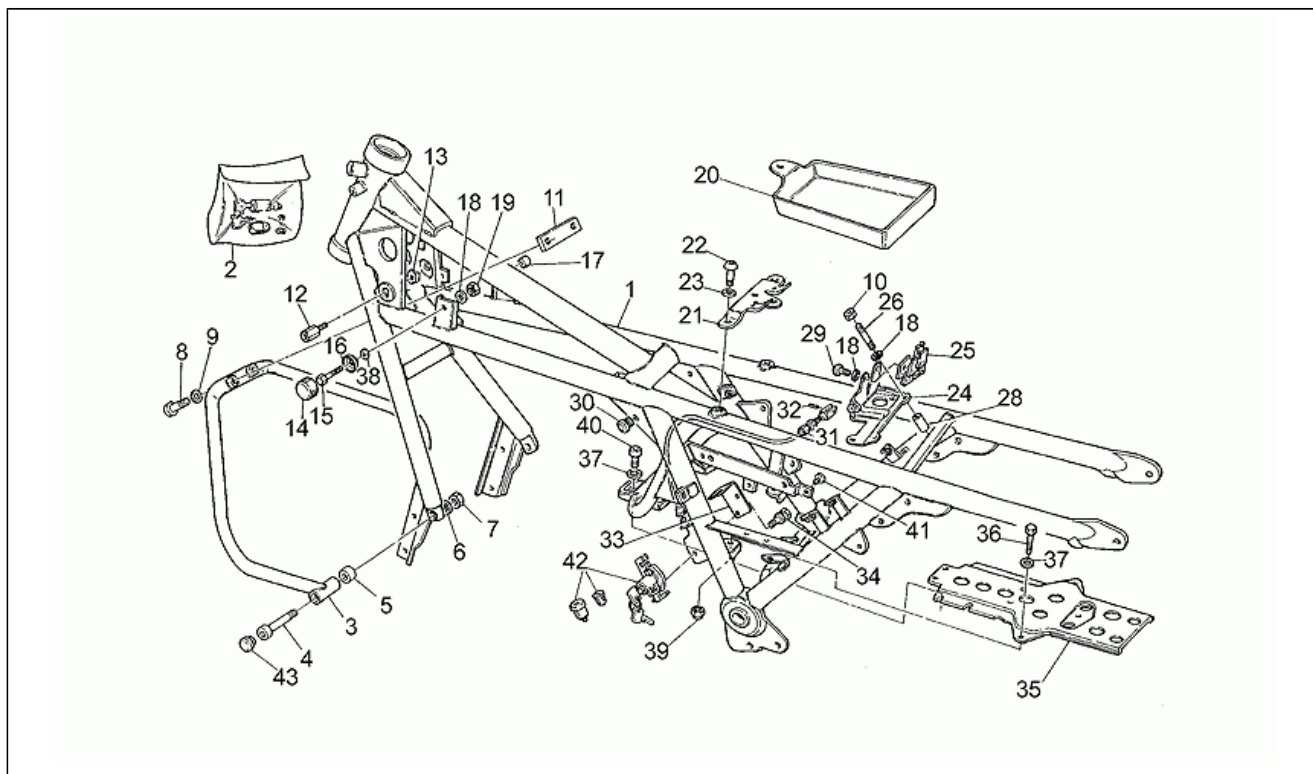
Pos.	Code	Description	Q.ty	Variants
28	GU98622310	Screw	1	
29	GU61013800	Special washer	1	
30	GU28769533	Trademark sticker	1	
30	GU30769560	Adhesive dataplate	1	year:1996[T]

Assembly	FRAME
Code	33.30
Description	Frame
Revision	1



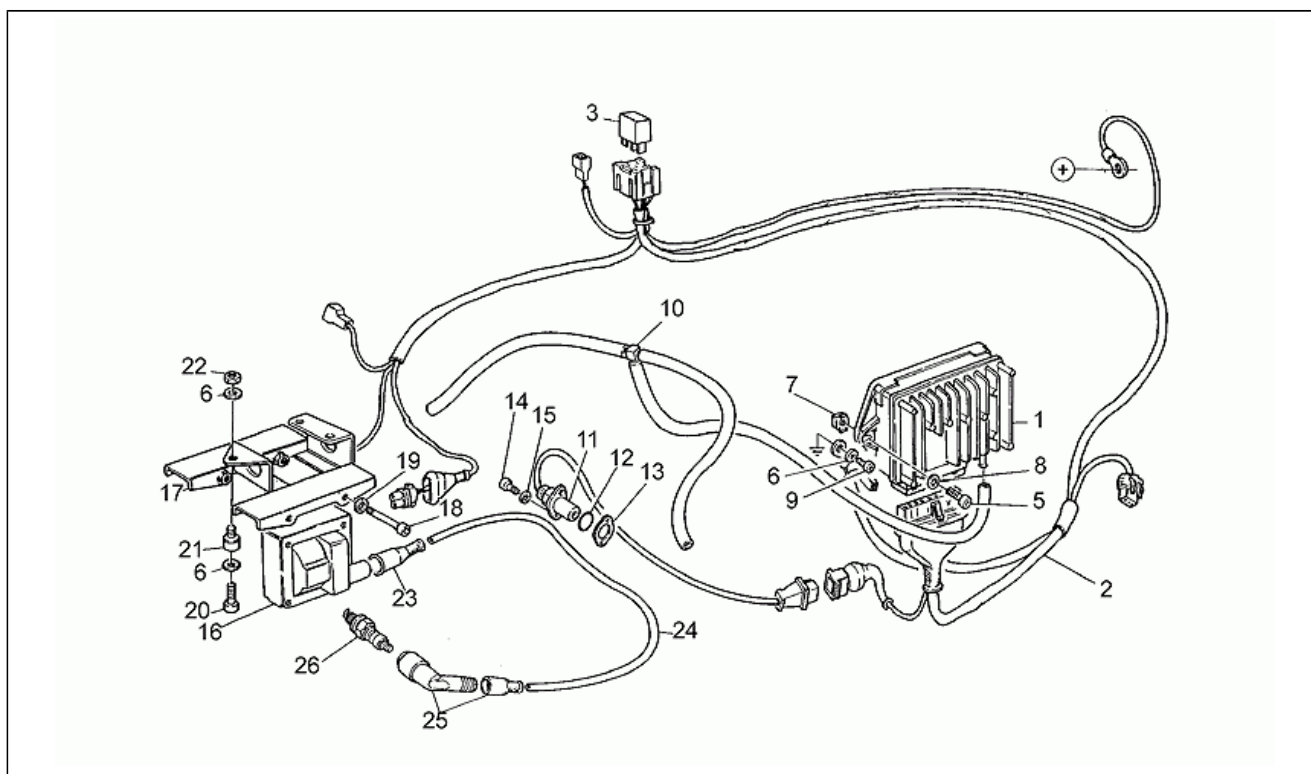
Pos.	Code	Description	Q.ty	Variants
1	GU30400160	Frame	1	
1	GU30400164	Frame	1	Country: Australia[AUS] Technical Specifications: Carburettor version (KC frame)[VC]
1	GU30400174	Frame	1	Country: Australia[AUS] Technical Specifications: Injection version (KD frame)[VI]
2	GU28782550	Steering lock	1	
3	GU30450260	Front protection	1	
4	GU98621650	Screw M12X50	2	
5	GU91181210	Spacer	2	
6	GU95021112	Notched washer	2	
7	GU92602312	Nut	2	
8	GU98230845	Screw	2	
9	GU61270300	Spring washer 8x15x0,3	2	
10	GU92602206	Nut	2	
11	GU17451750	Plate	1	
12	GU29469250	Stud bolt	2	
13	GU92660601	Captive nut	2	
14	GU39103400	Drift	2	
15	GU98054316	Hex screw M6X16	2	
16	GU39103500	Disc	2	
17	GU91180605	Spacer	1	
18	GU61013800	Special washer	6	
19	GU92602206	Nut	2	
20	GU30479560	Flange	1	
21	GU30461360	Plate	1	
22	GU98230812	Screw	2	
23	GU14615901	Washer 8,4X13X0,8	2	
24	GU30462360	Plate	1	

Assembly	FRAME
Code	33.30
Description	Frame
Revision	1



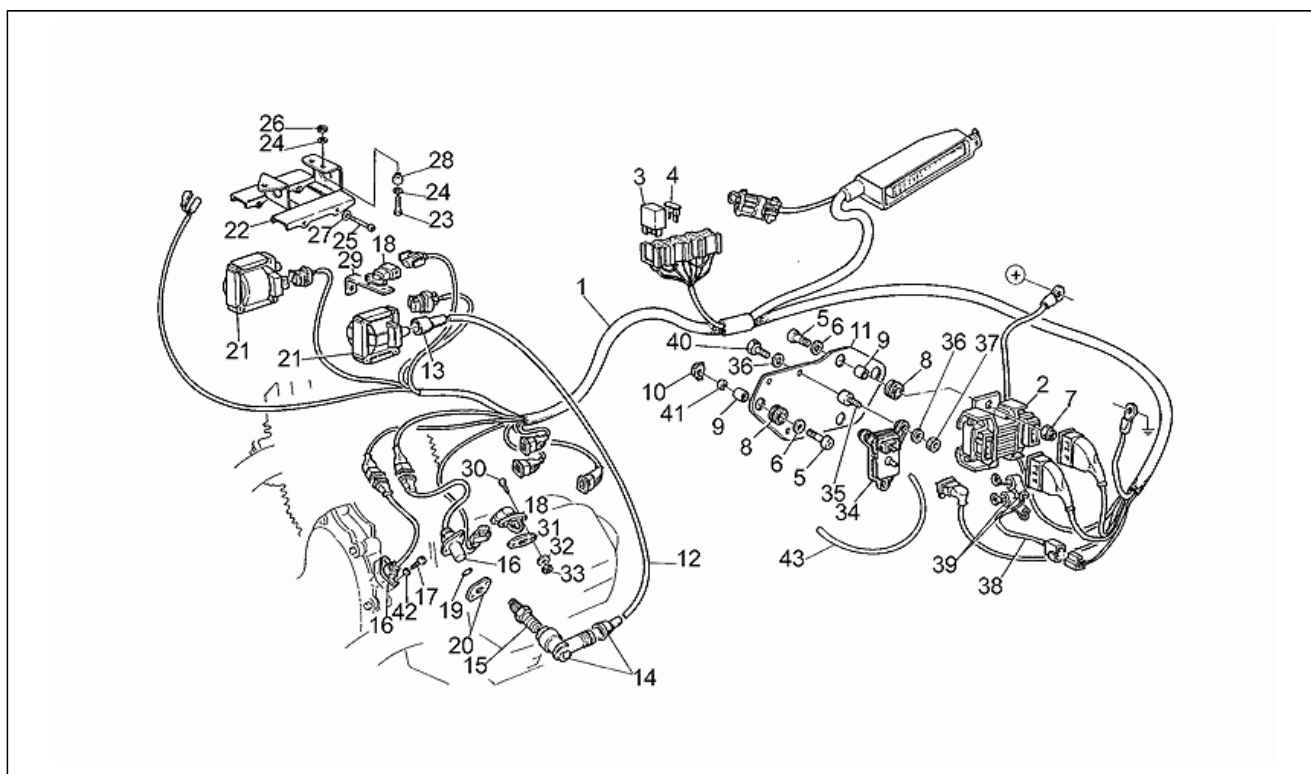
Pos.	Code	Description	Q.ty	Variants
25	GU30462060	Saddle lock	1	
26	GU96506051	Stud bolt	2	
28	GU91180725	Spacer	2	
29	GU98054312	Screw	2	
30	GU93180080	Plug	2	
31	GU30462160	Saddle release cable	1	
32	GU95522508	Pin	1	
33	GU30463260	Clamp	1	
34	GU66468115	Shear rivet	2	
35	GU29418360	Plate	1	
36	GU98054416	Hex screw M8X16	3	
37	GU95004208	Washer	7	
38	GU95000206	Washer	1	
39	GU92630508	Nut	3	
40	GU98622420	Screw	4	
41	GU19705900	Drift	3	
42	GU30736860	Lock hardware kit	1	
43	GU93180216	Rubber spacer	2	

Assembly	FRAME
Code	33.31
Description	Digiplex electrical system
Revision	1



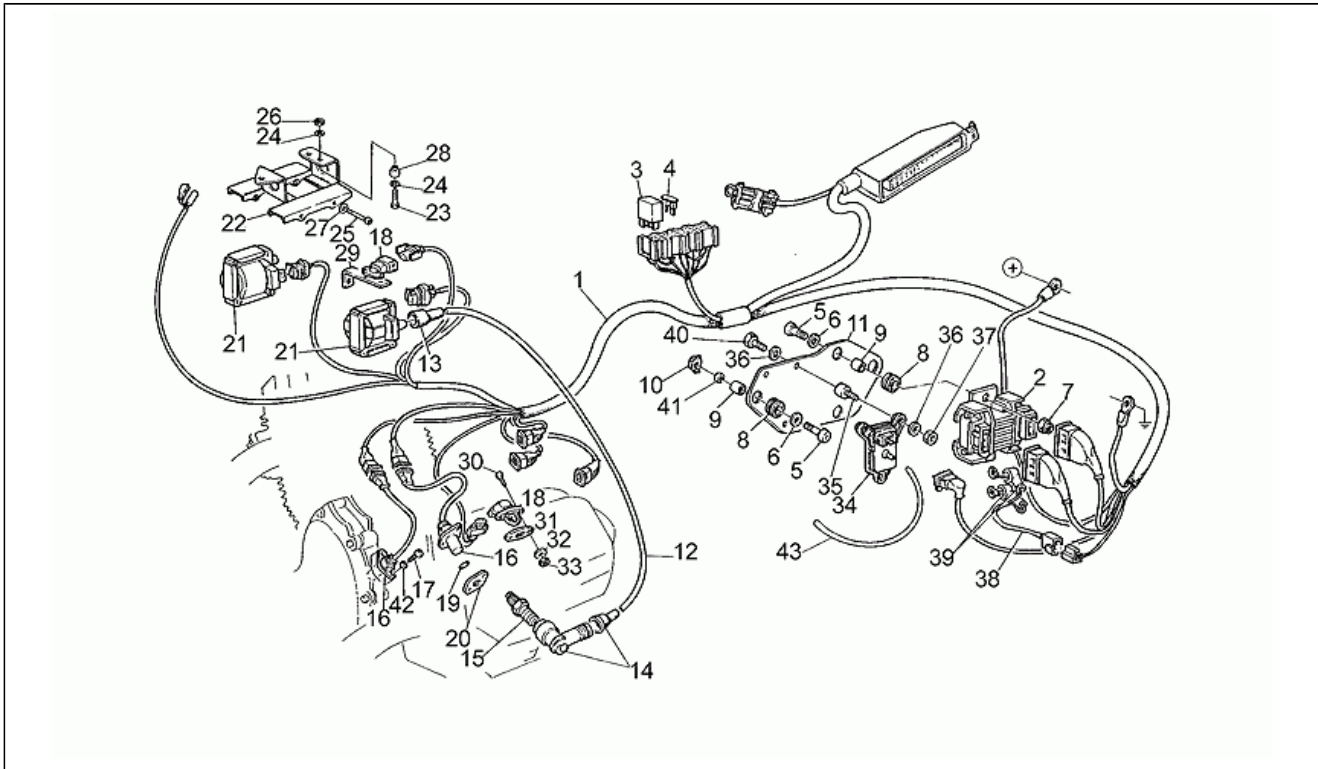
Pos.	Code	Description	Q.ty	Variants
1	GU29721450	ECU MED 446A	1	Technical Specifications: California 1000 cc[KG/KH]
1	GU30721460	ECU MED500A	1	Technical Specifications: California 1100 cc[KC/KD]
2	GU30722160	Injection wiring	1	
3	GU30732560	Relay Siemens A302/B1008	1	
5	GU98622318	Hex socket screw M6X18	2	
6	GU61013800	Special washer	7	
7	GU92660601	Captive nut	2	
8	GU95100121	Washer 5,3x10x0,5	2	
9	GU98622312	Screw	1	
10	GU30108160	Pipe	1	
11	GU29721660	Timing and rev sensor	1	
12	GU90706141	O-ring	1	
13	GU29722760	Gasket 0,5 mm	1	
14	GU98622210	Hex socket screw M5X10	2	
15	GU95004205	Washer	6	
16	GU30716500	HT coil	2	
17	GU28716748	Coil holder	1	
18	GU98622125	Hex socket screw M4X25	4	
19	GU95021104	Washer 4,3x8x1,5	4	
20	GU98622310	Screw	3	
21	GU93222020	Silent-block	3	
22	GU92602206	Nut	3	
23	GU14717600	Cap	2	
24	GU17718350	HT cable	2	
25	GU30717410	Sparkplug cap NGK	2	
26	GU30717061	Spark plug NGK BPR6ES	2	

Assembly	FRAME
Code	33.32
Description	Injection wiring
Revision	1



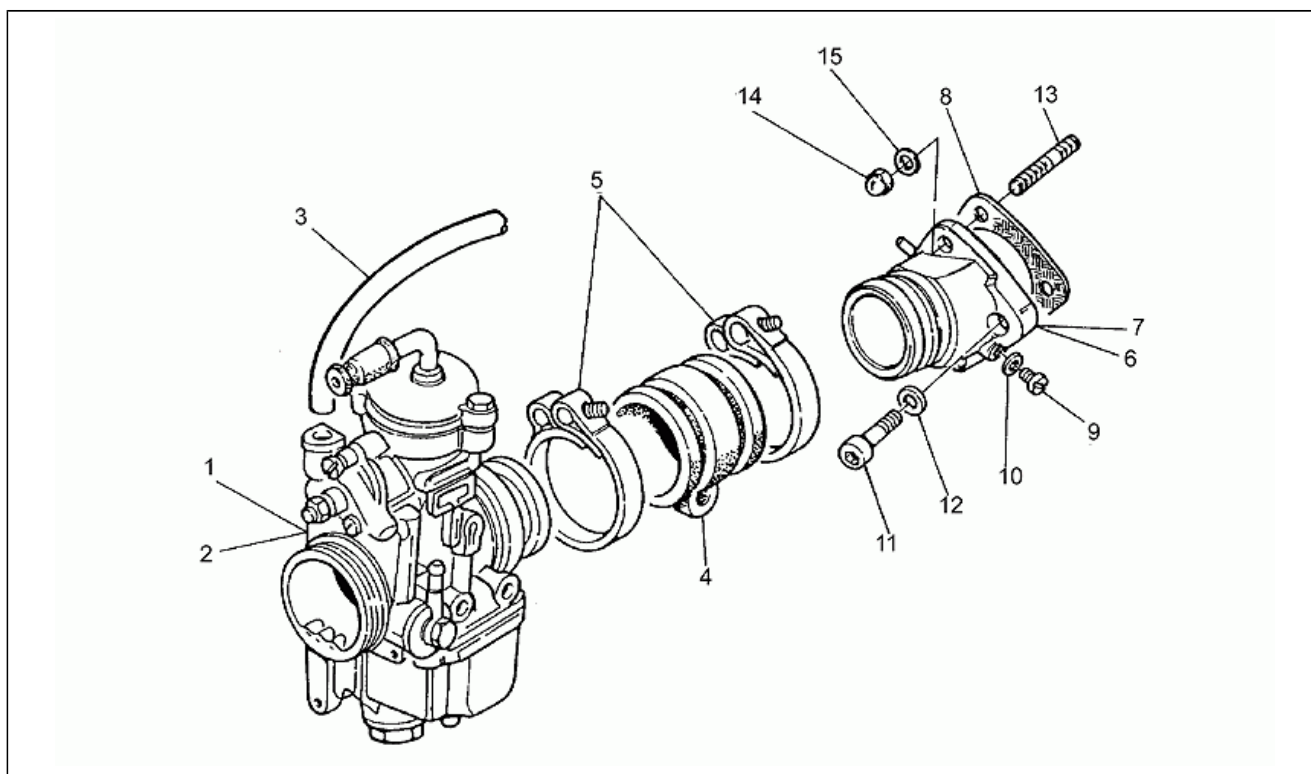
Pos.	Code	Description	Q.ty	Variants
1	GU30725870	Injection wiring	1	
2	GU29724460	Power modules	1	
3	GU30732560	Relay Siemens A302/B1008	2	
4	GU28742560	Fuse 15A	2	
5	GU98622320	Screw	4	
6	GU95100118	Washer 6,2X18X1	4	
7	GU92630206	Nut M6x1	2	
8	GU91551080	Rubber spacer	4	
9	GU91180607	Spacer	4	
10	GU92660601	Captive nut	2	
11	GU30402770	Plate	1	
12	GU17718350	HT cable	2	
13	GU14717600	Cap	2	
14	GU30717410	Sparkplug cap NGK	2	
15	GU30717061	Spark plug NGK BPR6ES	2	
16	GU29721660	Timing and rev sensor	2	
17	GU98622210	Hex socket screw M5X10	4	
18	GU30729331	Air temp. Sensor	2	
19	GU90706141	O-ring	2	
20	GU29722760	Gasket 0,5 mm	2	
21	GU30716500	HT coil	2	
22	GU28716748	Coil holder	1	
23	GU98622310	Screw	3	
24	GU61013800	Special washer	3	
25	GU98622125	Hex socket screw M4X25	4	
26	GU92602206	Nut	3	
27	GU95021104	Washer 4,3x8x1,5	4	
28	GU93222020	Silent-block	3	

Assembly	FRAME
Code	33.32
Description	Injection wiring
Revision	1



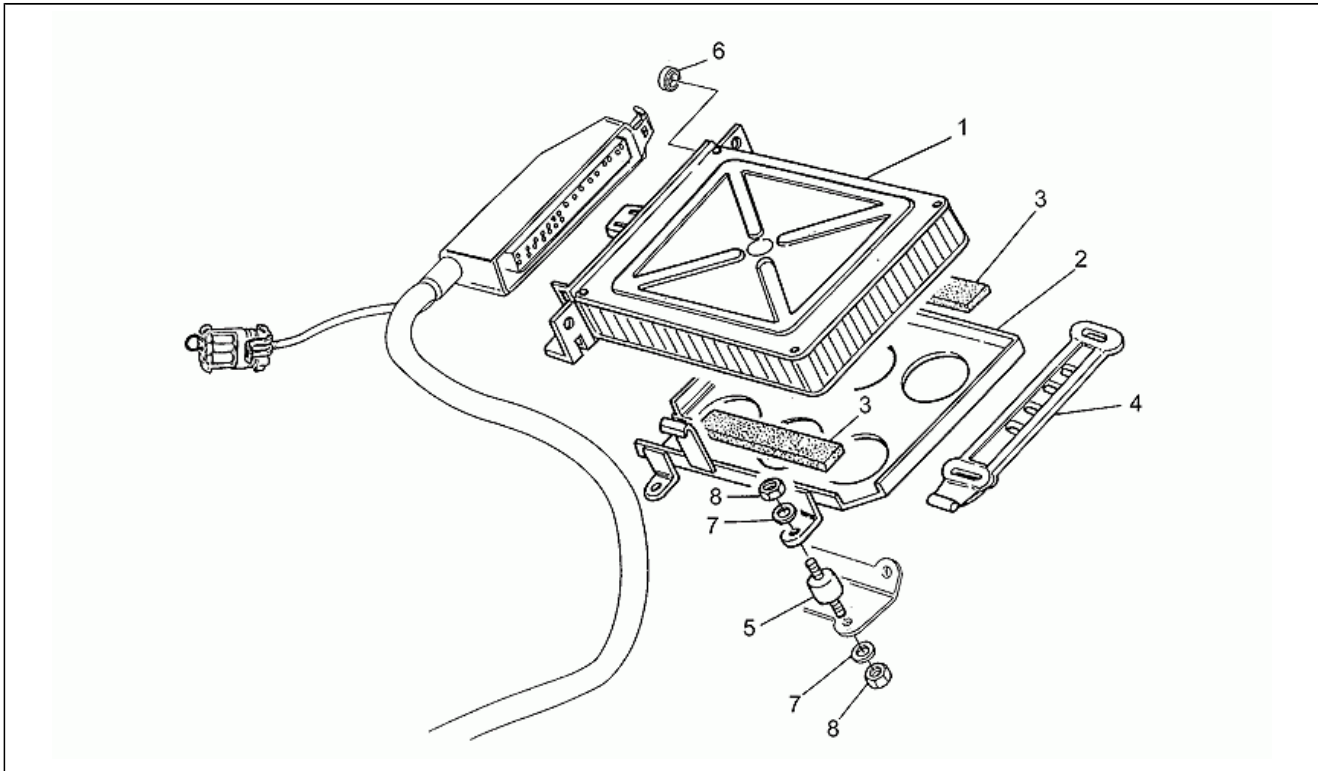
Pos.	Code	Description	Q.ty	Variants
29	GU30728230	Sensor support	1	
30	GU98610110	Screw	4	
31	GU30027931	Gasket	2	
32	GU95120032	Washer	4	
33	GU92601003	Nut	2	
34	GU29727061	Pressure sensor	1	
35	GU93221315	Block	3	
36	GU95000204	Washer	6	
37	GU92630104	Nut M4x0,7	3	
38	GU30738570	Fuel pump wiring	1	
39	GU30759600	Cap	2	
40	GU98054116	Screw	3	
41	GU91180605	Spacer	2	
42	GU95004205	Washer	4	
43	GU00823944050	Pipe 5X9	1	

Assembly	FRAME
Code	33.35
Description	Fuel supply
Revision	1



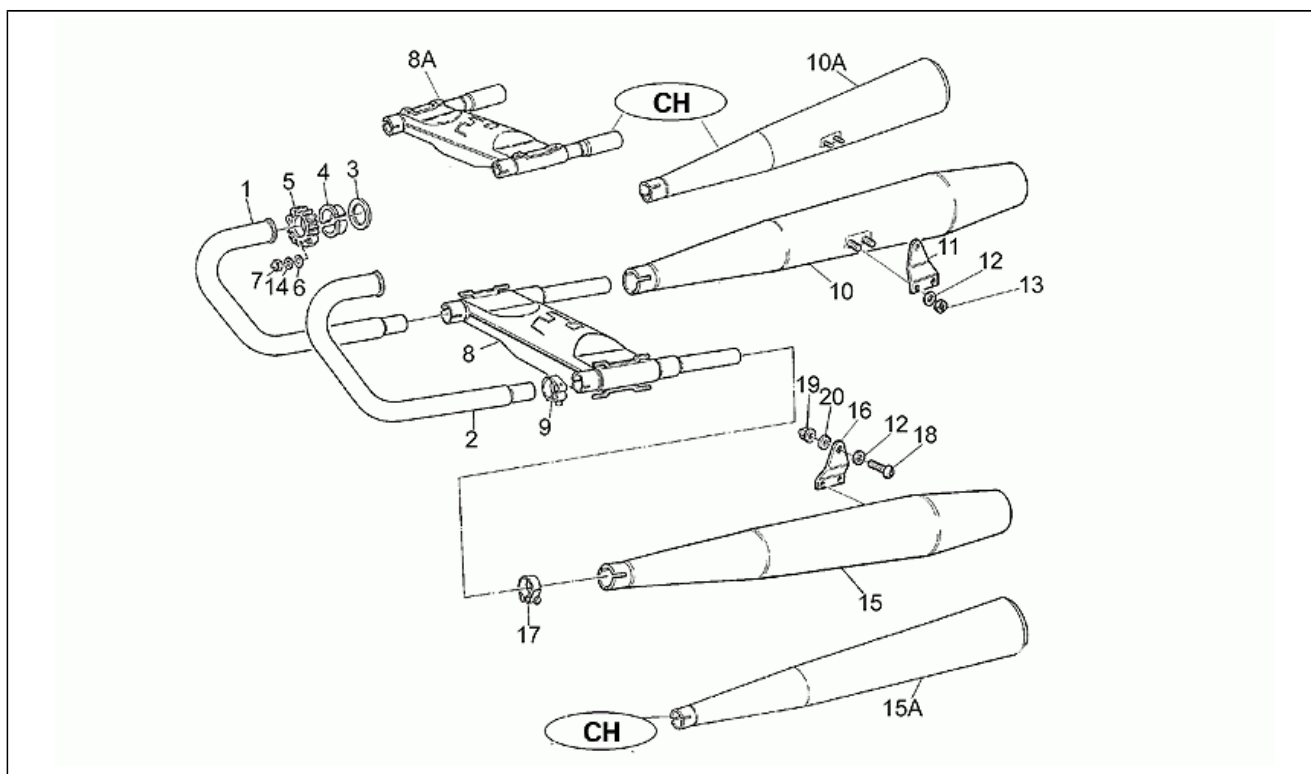
Pos.	Code	Description	Q.ty	Variants
1	GU30112660	Carburettor RH PHF 36DD	1	Technical Specifications: Dell'Orto trademark[DO]
1	GU30112662	Carburettor RH PHF 36DD	1	Country: Switzerland[CH] Technical Specifications: Dell'Orto trademark[DO]
1	GU30112664	Carburettor RH PHF 36DD	1	Country: United States of America[USA] Technical Specifications: Dell'Orto trademark[DO]
2	GU30112661	Carburettor LH PHF 36DS	1	Technical Specifications: Dell'Orto trademark[DO]
2	GU30112663	Carburettor LH PHF 36DS	1	Country: Switzerland[CH] Technical Specifications: Dell'Orto trademark[DO]
2	GU30112665	Carburettor LH PHF 36DS	1	Country: United States of America[USA] Technical Specifications: Dell'Orto trademark[DO]
3	GU00823945060	Pipe Vipla 3X5,5	1	
4	GU14114350	Carburettor flange	2	
5	GU93305057	Hose clamp 57x59,5x10	4	
6	GU30115060	RH intake manifold	1	
7	GU30115061	LH intake manifold	1	
8	GU28115560	Gasket	2	
9	GU98310610	Screw	2	
10	GU95100116	Washer 6,25x10x1,5	2	
11	GU98622325	Hex socket screw M6X25	2	
12	GU95004206	Washer 6,15x11x0,8	2	
13	GU96506039	Stud bolt	4	
14	GU92781062	Nut	4	
15	GU61013800	Special washer	4	

Assembly	FRAME
Code	33.39
Description	CDI unit assy
Revision	1



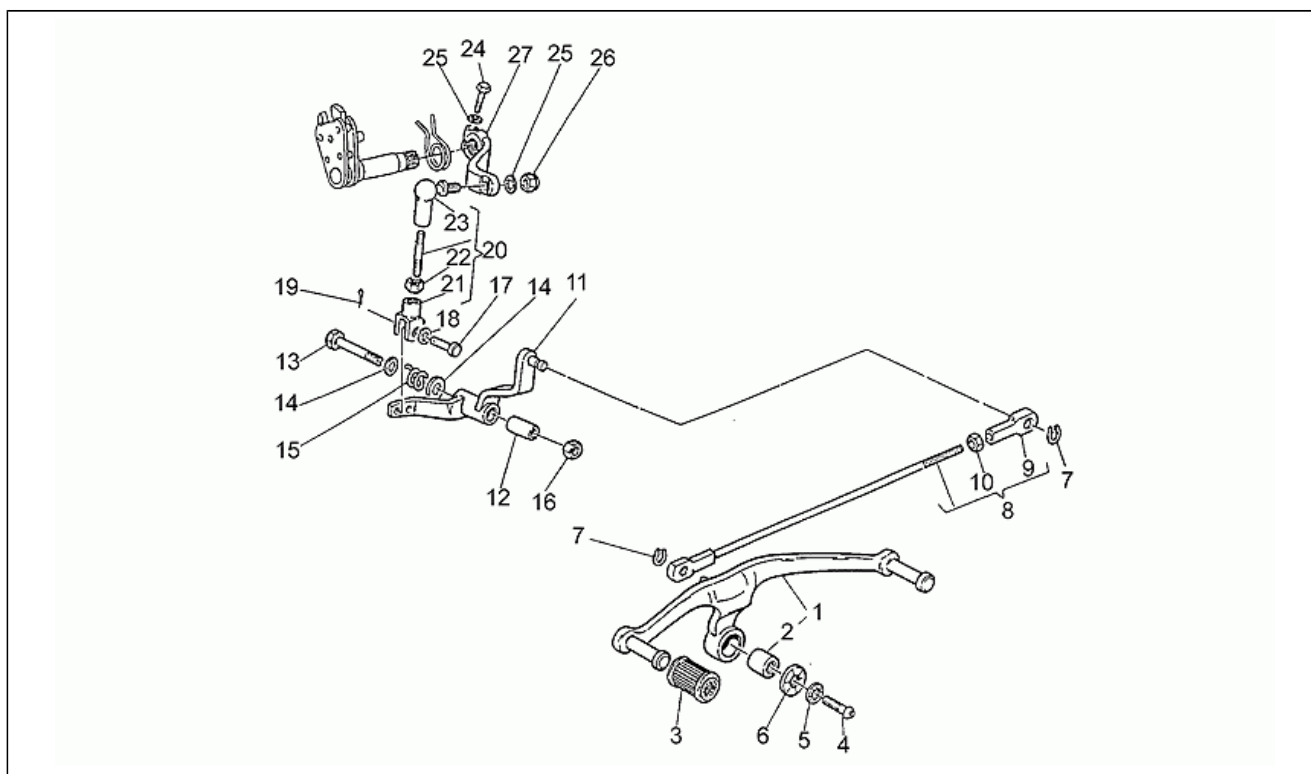
Pos.	Code	Description	Q.ty	Variants
1	GU30729570	CDI unit assy	1	Technical Specifications: California 1100 cc[KC/KD]
1	GU30729590	CDI unit assy	1	Technical Specifications: California 1000 cc[KG/KH]
3	GU30728970	Adhesive gasket	2	
4	GU29728960	Fixing snap	1	
5	GU29737960	Block	3	
6	GU29729762	Tamper-proof plug	1	
7	GU95100121	Washer 5,3x10x0,5	6	
8	GU92602206	Nut	6	

Assembly	FRAME
Code	33.44
Description	Exhaust unit
Revision	1



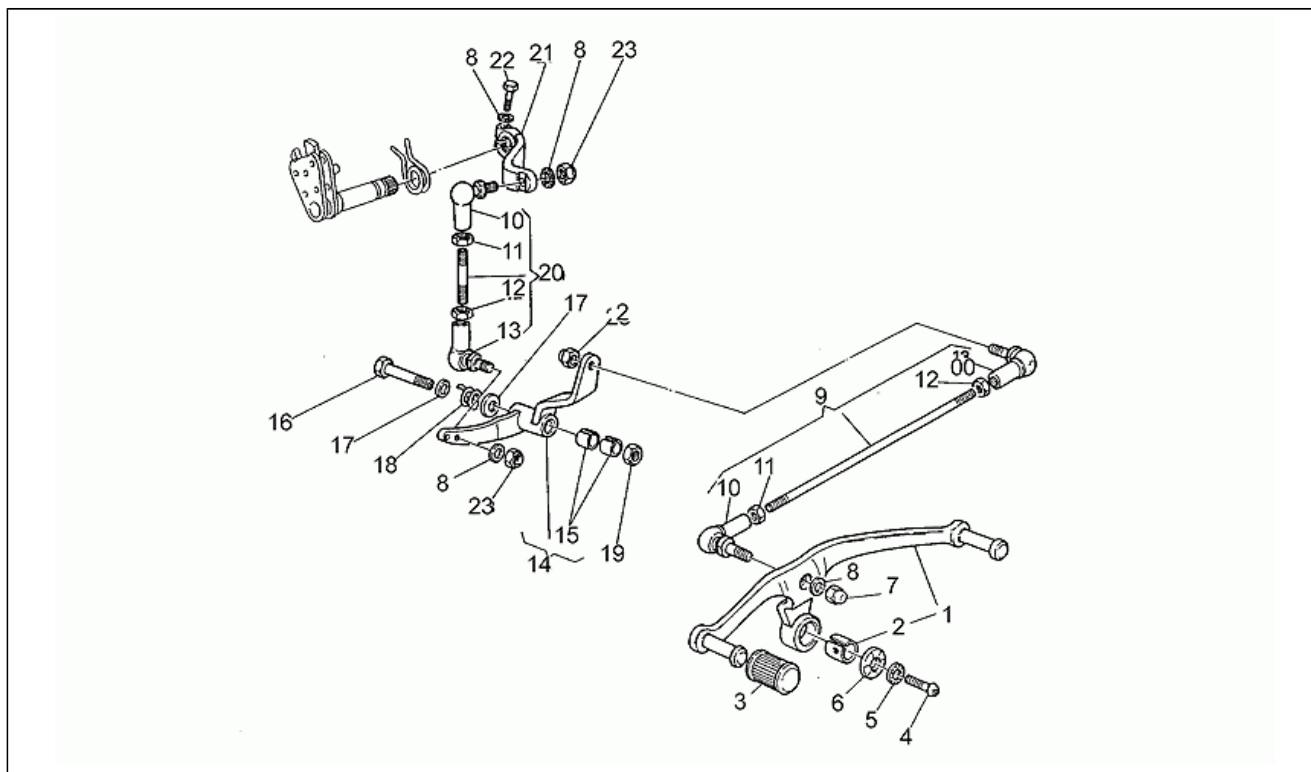
Pos.	Code	Description	Q.ty	Variants
1	GU29120950	RH exhaust pipe	1	
2	GU29120951	LH exhaust pipe	1	
3	GU90718370	Gasket	2	
4	GU14121200	Spacer	2	
5	GU17121061	Flange	2	
6	GU14615901	Washer 8,4X13X0,8	4	
7	GU92781081	Nut	4	
8	GU29123951	Expansion chamber	1	Country:Switzerland[CH]
8	GU30123910	Expansion chamber C295	1	
9	GU14126900	Hose clamp	2	
10	GU17123062	RH silencer S17	1	Country:Switzerland[CH]
10	GU30123060	RH silencer	1	
11	GU29128650	Plate	1	
12	GU95004208	Washer	4	
13	GU92630508	Nut	4	
14	GU95007208	Washer	4	
15	GU17122962	LH silencer S17	1	Country:Switzerland[CH]
15	GU30122960	LH silencer	1	
16	GU29128750	Plate	1	
17	GU29123450	Hose clamp	2	
18	GU98230835	Screw M8x35	2	
18	GU98230841	Screw M8x40	2	
19	GU92660208	Nut	2	
20	GU61270300	Spring washer 8x15x0,3	2	

Assembly	FRAME
Code	33.46
Description	Gear lever I
Revision	1



Pos.	Code	Description	Q.ty	Variants
1	GU17250840	Complete gearchange lever	1	Technical Specifications:First series[1A]
2	GU18252050	Bush 19 mm	1	Technical Specifications:First series[1A]
3	GU13432640	Rubber pedal	2	Technical Specifications:First series[1A]
4	GU98230816	Screw	1	Technical Specifications:First series[1A]
5	GU61270300	Spring washer 8x15x0,3	1	Technical Specifications:First series[1A]
6	GU18259151	Washer	1	Technical Specifications:First series[1A]
7	GU90271008	Circlip	2	Technical Specifications:First series[1A]
8	GU18257651	Change gear tie rod compl.	1	Technical Specifications:First series[1A]
9	GU18257551	Block	2	Technical Specifications:First series[1A]
10	GU92690073	Nut	1	Technical Specifications:First series[1A]
11	GU18256950	Gearbox linkage rod	1	Technical Specifications:First series[1A]
12	GU17252050	Bush	1	Technical Specifications:First series[1A]
13	GU98053660	Screw	1	Technical Specifications:First series[1A]
14	GU95100409	Washer	2	Technical Specifications:First series[1A]
15	GU94322185	Spring	1	Technical Specifications:First series[1A]
16	GU92602512	Low nut M12x1,25	1	Technical Specifications:First series[1A]
17	GU95770265	Pin	1	Technical Specifications:First series[1A]
18	GU95129110	Washer	1	Technical Specifications:First series[1A]
19	GU95500222	Split pin	1	Technical Specifications:First series[1A]
20	GU18257801	Fork	1	Technical Specifications:First series[1A]
21	GU12626800	Fork	1	Technical Specifications:First series[1A]
22	GU92602206	Nut	1	Technical Specifications:First series[1A]
23	GU18258101	Ball joint	1	Technical Specifications:First series[1A]
24	GU98052325	Screw	1	Technical Specifications:First series[1A]
25	GU61013800	Special washer	2	Technical Specifications:First series[1A]
26	GU92630106	Nut M6x1	1	Technical Specifications:First series[1A]
27	GU18258201	Lever	1	Technical Specifications:First series[1A]

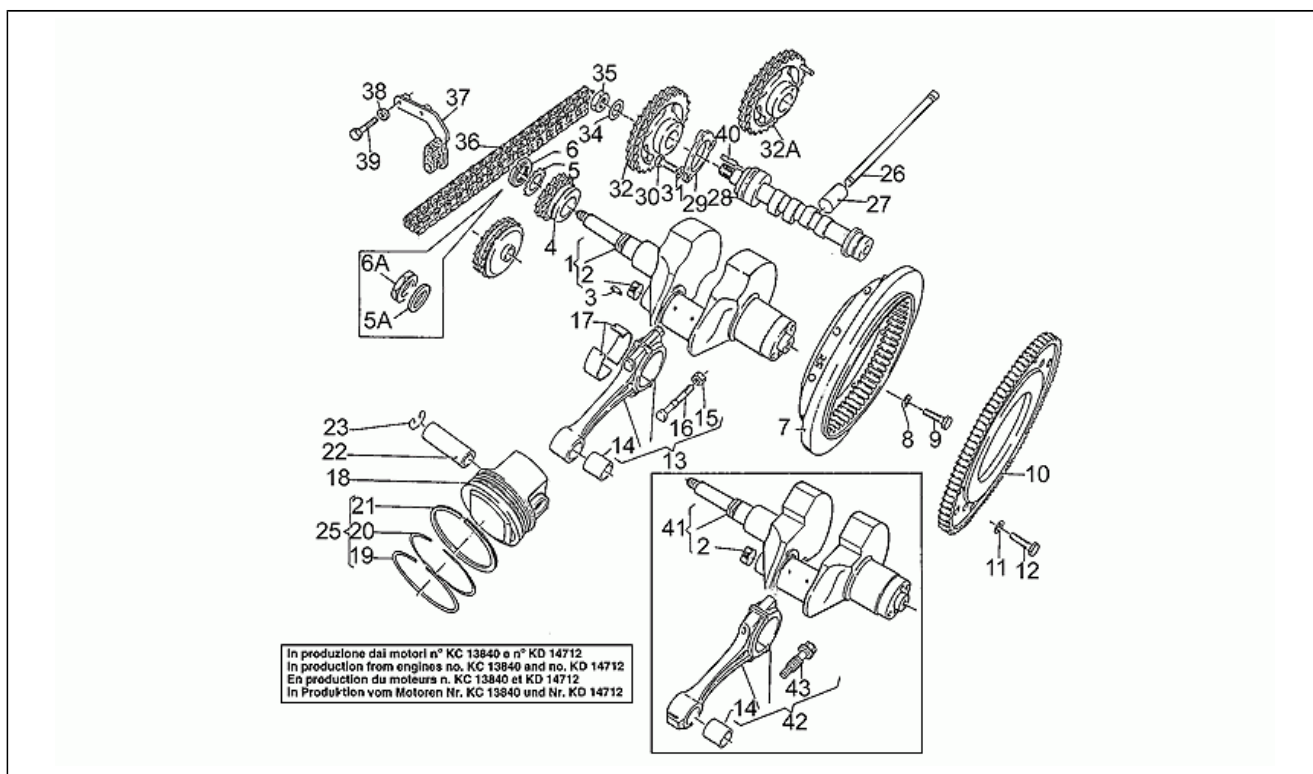
Assembly	FRAME
Code	33.47
Description	Gear lever II
Revision	1



Pos.	Code	Description	Q.ty	Variants
1	GU30250860	Complete gearchange lever	1	Technical Specifications:Second series[2A]
2	GU30678160	Bush	1	Technical Specifications:Second series[2A]
3	GU13432640	Rubber pedal	2	Technical Specifications:Second series[2A]
4	GU98230816	Screw	1	Technical Specifications:Second series[2A]
5	GU61270300	Spring washer 8x15x0,3	1	Technical Specifications:Second series[2A]
6	GU18259151	Washer	1	Technical Specifications:Second series[2A]
7	GU92781062	Nut	1	Technical Specifications:Second series[2A]
8	GU61013800	Special washer	5	Technical Specifications:Second series[2A]
9	GU30257660	Change gear tie rod compl.	1	Technical Specifications:Second series[2A]
10	GU30258160	Ball joint	2	Technical Specifications:Second series[2A]
11	GU30256860	Nut	2	Technical Specifications:Second series[2A]
12	GU92602206	Nut	2	Technical Specifications:Second series[2A]
13	GU18258101	Ball joint	2	Technical Specifications:Second series[2A]
14	GU30256960	Lever	1	Technical Specifications:Second series[2A]
15	GU30252060	Bush	2	Technical Specifications:Second series[2A]
16	GU30252360	Screw	1	Technical Specifications:Second series[2A]
17	GU95100409	Washer	2	Technical Specifications:Second series[2A]
18	GU94322185	Spring	1	Technical Specifications:Second series[2A]
19	GU92602512	Low nut M12x1,25	1	Technical Specifications:Second series[2A]
20	GU30257860	Gearbox linkage rod	1	Technical Specifications:Second series[2A]
21	GU18258201	Lever	1	Technical Specifications:Second series[2A]
22	GU98052325	Screw	1	Technical Specifications:Second series[2A]
23	GU92630106	Nut M6x1	8	Technical Specifications:Second series[2A]

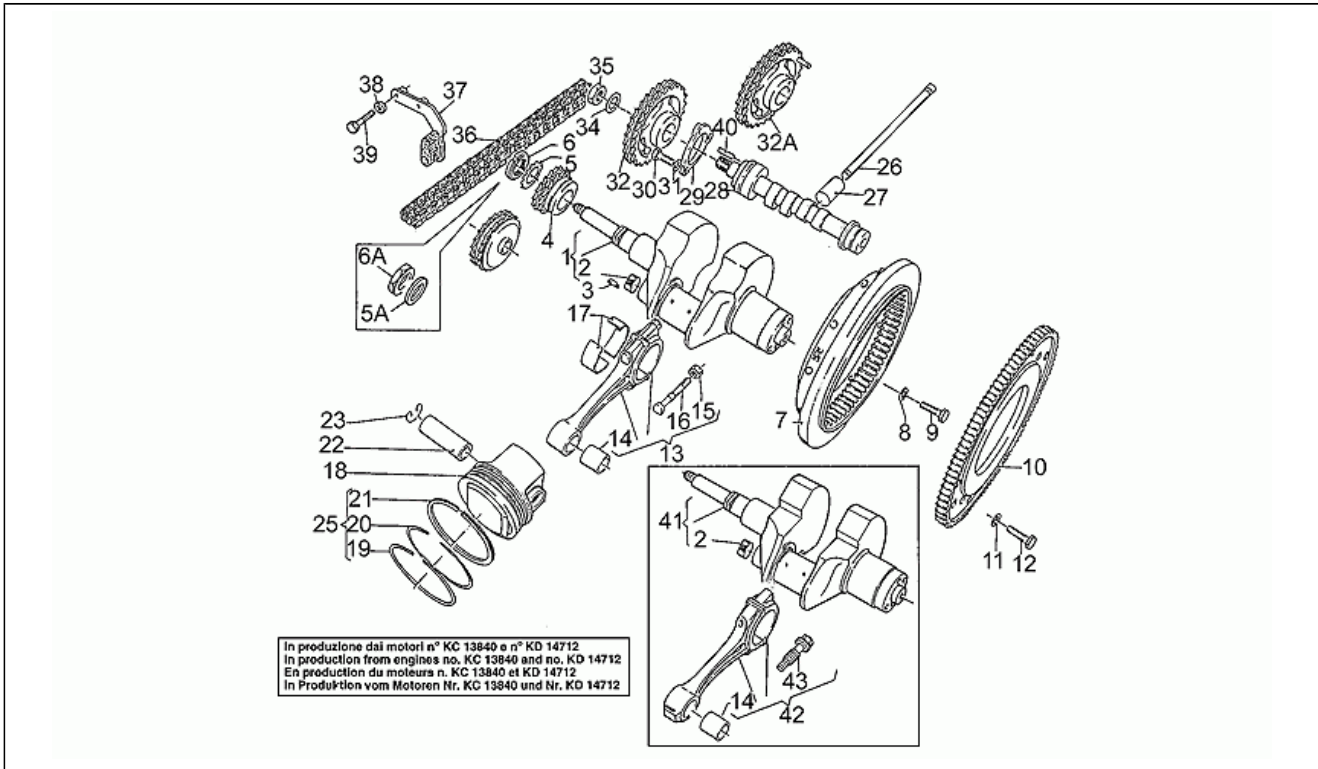


Assembly	ENGINE
Code	34.33
Description	Drive shaft
Revision	1



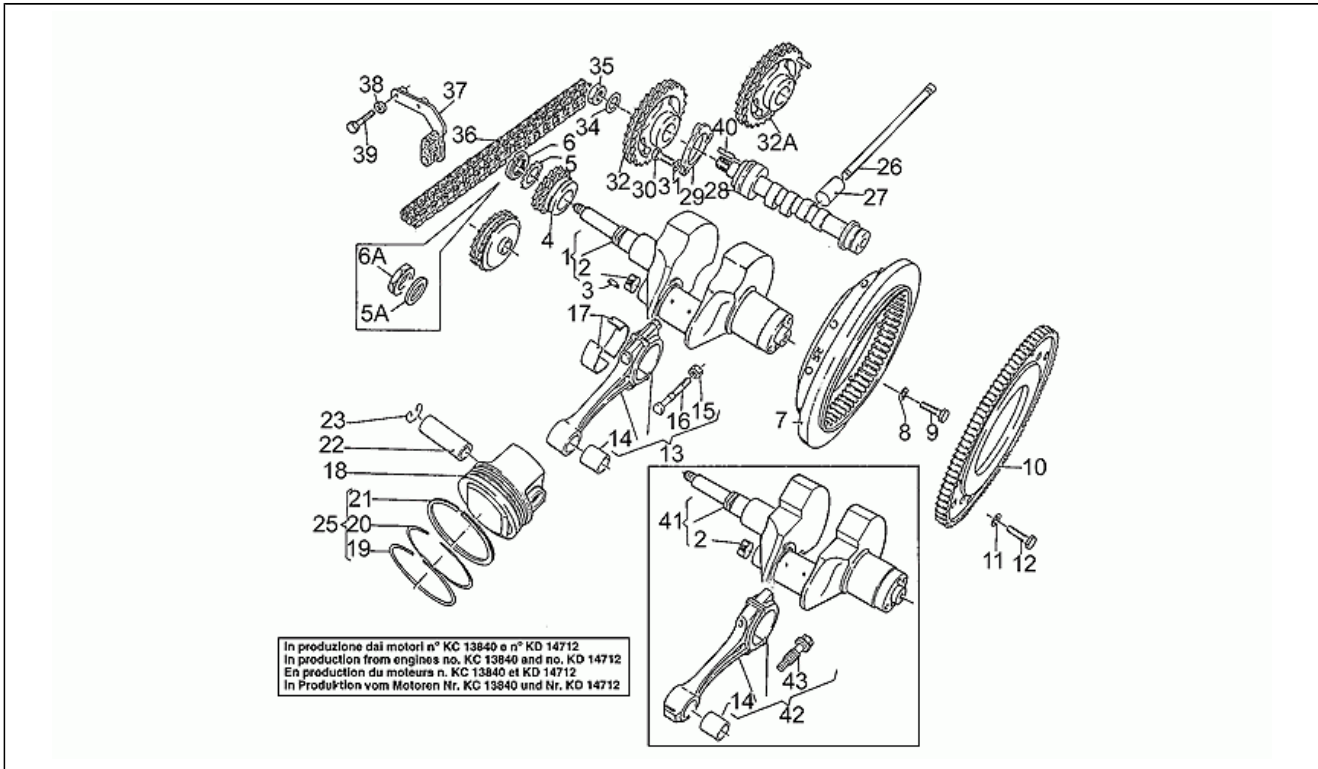
Pos.	Code	Description	Q.ty	Variants
1	GU29064161	Drive shaft	1	Technical Specifications: California 1000 cc[KG/KH]
1	GU30064160	Drive shaft	1	Technical Specifications: California 1100 cc[KC/KD], Up to engine KC13839-KD14711[M1]
2	GU12065400	Plug	1	
3	GU91702355	Transmission key	1	
4	GU14072001	Pinion	1	
5	GU95028025	Safety washer	1	Technical Specifications: First series[1A]
5	GU95100837	Washer 25,5x35x2	1	Technical Specifications: Second series[2A], See technical comm.n.303 of 1995[30395C]
6	GU92602525	Nut M25	1	Technical Specifications: Second series[2A], See technical comm.n.303 of 1995[30395C]
6	GU93601026	Ring nut	1	Technical Specifications: First series[1A]
7	GU29067040	Flywheel	1	Technical Specifications: Carburettor version (KC frame)[VC]
7	GU29067060	Flywheel cpl.	1	Technical Specifications: Injection version (KD frame)[VI]
8	GU14615901	Washer 8,4X13X0,8	6	
9	GU12067701	Screw M8X25	6	
10	GU17067900	Chain ring	1	
11	GU14615901	Washer 8,4X13X0,8	8	
12	GU98054420	Hex screw M8X20	8	
13	GU30061500	Connecting rod	2	Technical Specifications: California 1000 cc[KG/KH]
13	GU30061560	Connecting rod	2	Technical Specifications: California 1100 cc[KC/KD], Up to engine KC13839-KD14711[M1]
14	GU91112128	Bush	2	
15	GU92731090	Self-locking nut	4	
16	GU30062200	Screw	4	Technical Specifications: California 1000 cc[KG/KH]
16	GU30062260	Screw	4	Technical Specifications: California 1100 cc[KC/KD], Up to engine KC13839-KD14711[M1]
17	GU30062000	Bearing half-shell	4	Technical Specifications: Tolerance standard[std]
17	GU30062001	Bearing half-shell 0,254 mm	4	

Assembly	ENGINE
Code	34.33
Description	Drive shaft
Revision	1



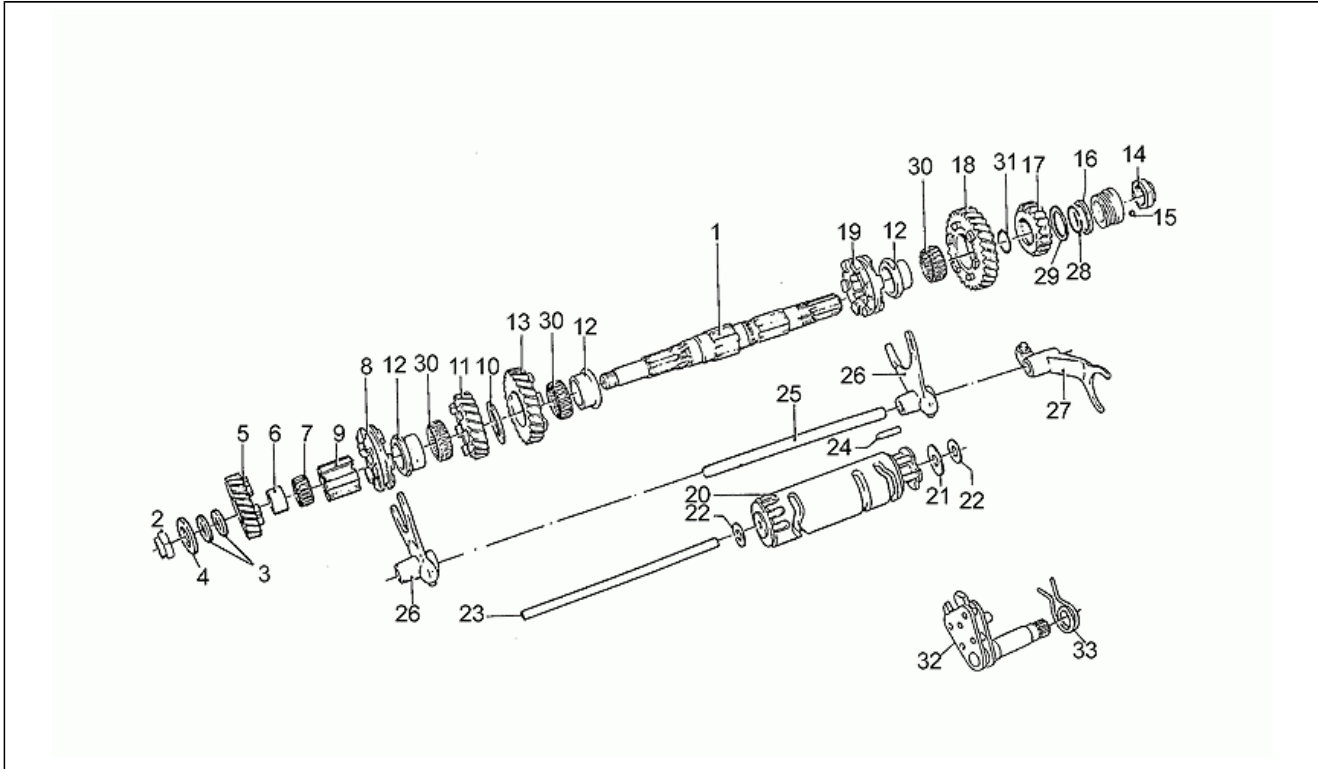
Pos.	Code	Description	Q.ty	Variants
17	GU30062002	Bearing half-shell 0,508 mm	4	
17	GU30062003	Bearing half-shell 0,762 mm	4	
18	GU30060410	Piston	2	Technical Specifications: California 1000 cc[KG/KH]
18	GU30060461	Piston	2	Technical Specifications: California 1100 cc[KC/KD]
19	GU14060760	Piston ring	2	Technical Specifications: California 1000 cc[KG/KH]
19	GU30060760	Piston ring	2	Technical Specifications: California 1100 cc[KC/KD]
20	GU18060950	Piston ring	2	Technical Specifications: California 1000 cc[KG/KH]
20	GU30060960	Piston ring	2	Technical Specifications: California 1100 cc[KC/KD]
21	GU14061060	Oil scraper ring	2	Technical Specifications: California 1000 cc[KG/KH]
21	GU30061060	Piston ring	2	Technical Specifications: California 1100 cc[KC/KD]
22	GU28061260	Piston pin	2	Technical Specifications: California 1000 cc[KG/KH]
22	GU30061241	Piston pin	2	Technical Specifications: California 1100 cc[KC/KD]
23	GU27061385	Stop ring	4	Technical Specifications: California 1000 cc[KG/KH]
23	GU90351038	Stop ring	4	Technical Specifications: California 1100 cc[KC/KD]
25	GU18060601	Piston rings set	2	Technical Specifications: California 1000 cc[KG/KH]
25	GU30060660	Pistonring set	2	Technical Specifications: California 1100 cc[KC/KD]
26	GU37045006	Rocker arm rod	4	
27	GU17045860	Tappet	4	Technical Specifications: Tolerance standard[std]
28	GU30053360	Camshaft	1	
29	GU12054000	Flange	1	
30	GU98054320	Hex screw M6X20	3	
31	GU95120065	Washer 6,5x11x2	3	
32	GU13054502	Timing system gear	1	Technical Specifications: Carburettor version (KC frame)[VC]
32	GU29054460	Timing system gear	1	Technical Specifications: Injection version (KD frame)[VI]
34	GU14433400	Spring washer 19x34x1,5	1	
35	GU92602518	Nut M18X1,5	1	
36	GU28058060	Chain	1	
37	GU30057810	Chain tensioner	1	

Assembly	ENGINE
Code	34.33
Description	Drive shaft
Revision	1



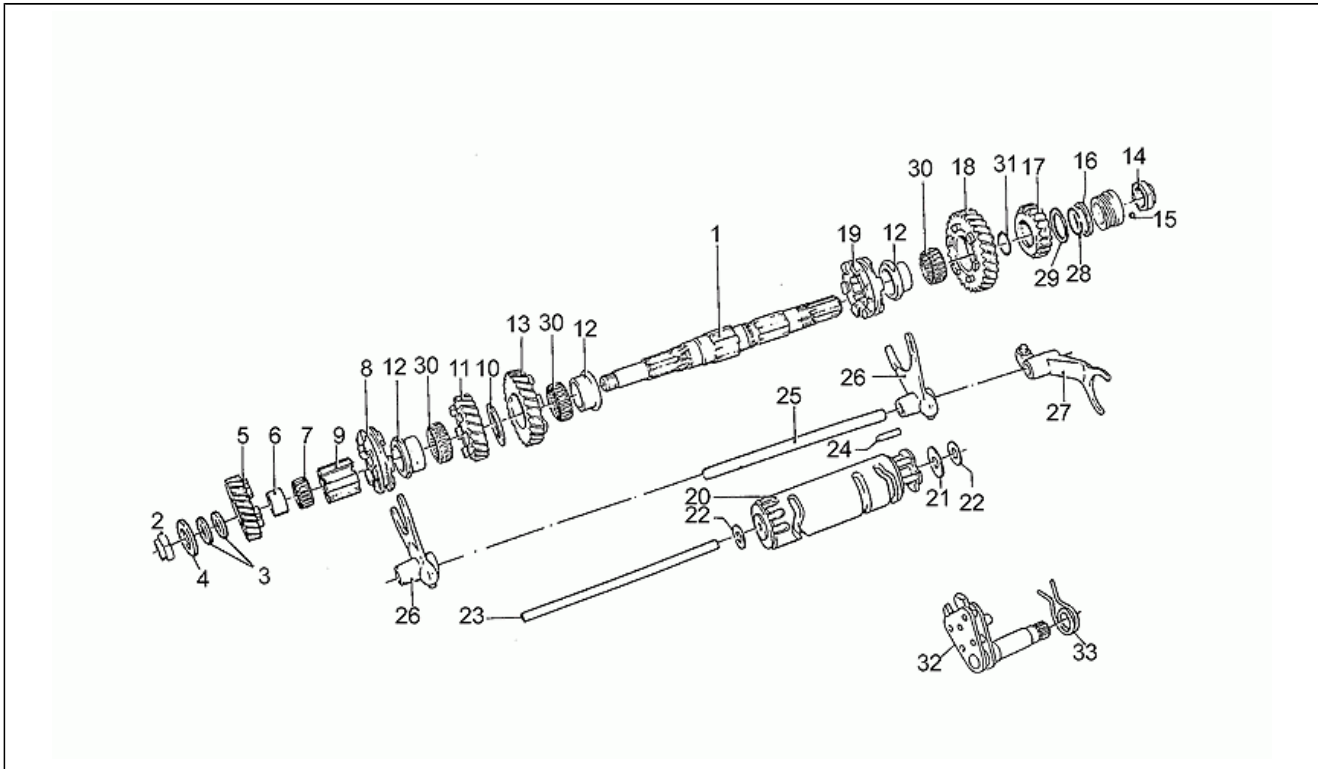
Pos.	Code	Description	Q.ty	Variants
38	GU61270300	Spring washer 8x15x0,3	2	
39	GU98052435	Hex screw M8X35	2	
40	GU14234600	Pin	1	
41	GU30064161	Drive shaft	1	Technical Specifications: From engine KC13840-KD14712[M2]
42	GU37061506	Connecting rod	1	Technical Specifications: From engine KC13840-KD14712[M2]
43	GU37062205	Connecting rod screw	2	Technical Specifications: From engine KC13840-KD14712[M2]

Assembly	ENGINE
Code	34.34
Description	Driven shaft
Revision	1



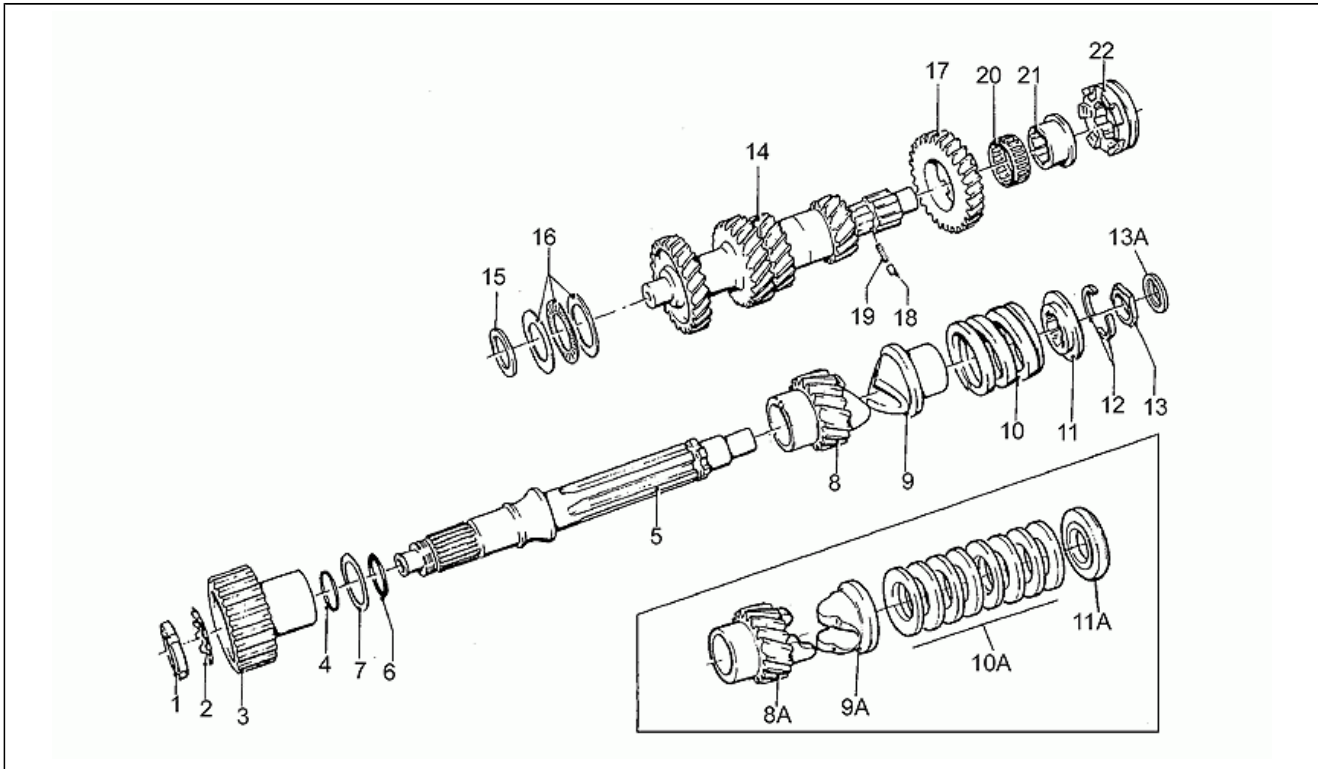
Pos.	Code	Description	Q.ty	Variants
1	GU30213602	Driven shaft	1	
2	GU14217410	Nut	1	
3	GU43083810	Shim 17,25x27x0,5	1	
4	GU14215400	Clearance washer 17,1x30	1	
5	GU14215110	Gear 4a Z=20	1	
6	GU92259017	Ring 4a	1	
7	GU92251022	Roller cage 4a A.S.	1	
8	GU14231012	Sliding sleeve 3a-4a	1	
9	GU14232512	Hose	1	
10	GU14218011	Washer 25x40x3	1	
11	GU14214810	Gear 3a Z=22	1	
12	GU14213001	Bush 1a-2a-3a AS	2	
13	GU14214510	Gear 2a Z=25	1	
14	GU14219310	Nut	1	
15	GU92295702	Ball	1	
16	GU14217300	Washer 22,1x32x2	1	
17	GU14215213	Gear 5a AS Z=21	1	
18	GU14214210	Gear 1a Z=28	1	
19	GU14230711	Sliding sleeve 1a-2a	1	
20	GU14234405	Shift cam	1	
21	GU14235500	Washer 8,2x28x1	1	
22	GU55235000	Shim 0,6 mm	3	
22	GU55235001	Shim 0,8 mm	3	
22	GU55235002	Shim 1 mm	3	
22	GU55235003	Shim 1,2 mm	3	
23	GU14234300	Rod	1	
24	GU14234600	Pin	4	
25	GU14232400	Rod	1	

Assembly	ENGINE
Code	34.34
Description	Driven shaft
Revision	1



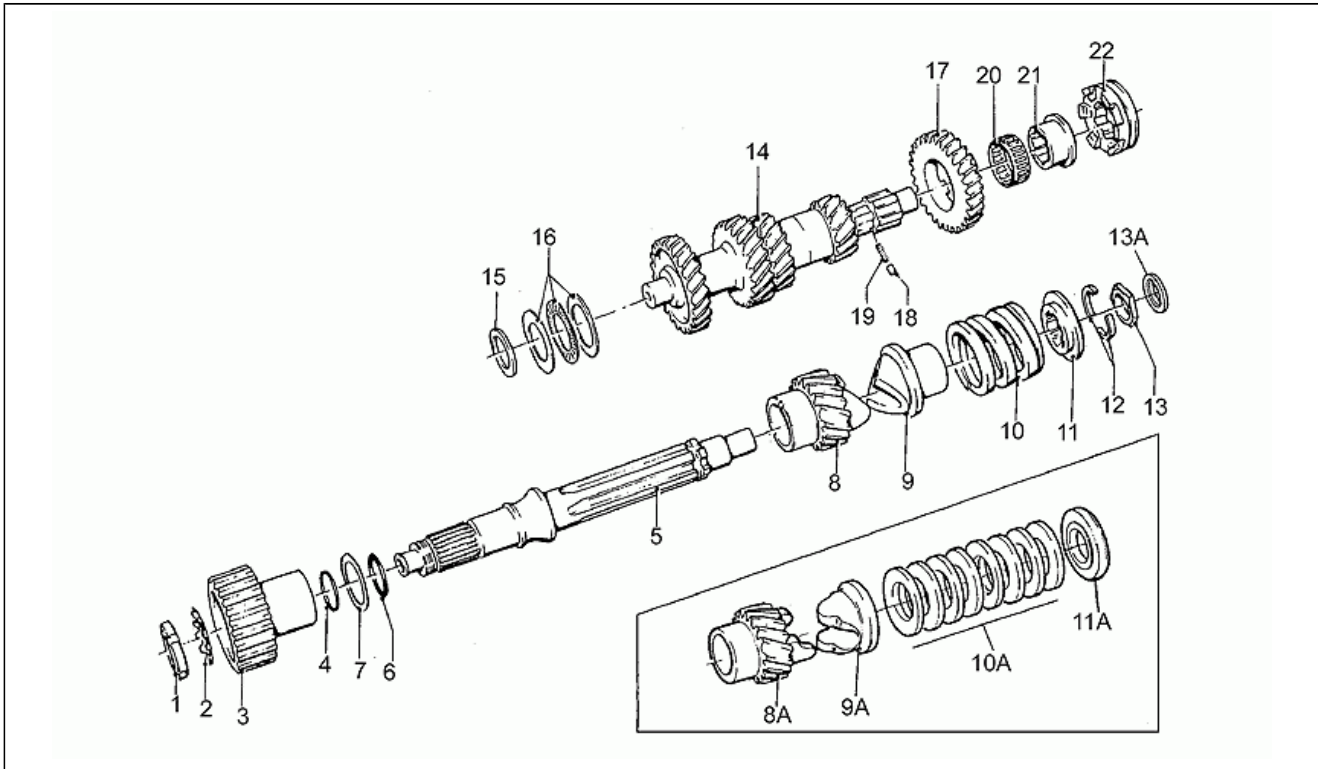
Pos.	Code	Description	Q.ty	Variants
26	GU14230501	Fork 1a-2a-3a-4a	2	
27	GU14231201	Fork 5a	1	
28	GU90706219	O-ring 21,95x1,78	1	
29	GU28217350	Washer	1	
30	GU92251030	Roller cage 30x35x13	3	
31	GU90706203	O-ring 20,24x2,62	1	
32	GU28236260	Preselection complete	1	
33	GU28238261	Spring	1	

Assembly	ENGINE
Code	34.36
Description	Gear box
Revision	1



Pos.	Code	Description	Q.ty	Variants
1	GU93601022	Ring nut	1	
2	GU95028022	Washer 22x20x3,9	1	
3	GU30081810	Clutch gear	1	
4	GU90706235	O-ring 23,52x1,78	1	
5	GU14210702	Clutch shaft	1	
6	GU90706203	O-ring 20,24X2,62	1	
7	GU14218401	Oil-spreading washer 25,1x36x0,5	1	
8	GU14211110	Gear Z=17	1	
8	GU30211160	Idle gear Z=17	1	Technical Specifications:"A" letter in draw[A]
9	GU14211201	Hose	1	
9	GU30211260	Hose	1	Technical Specifications:"A" letter in draw[A]
10	GU13211500	Belleville spring	1	
10	GU30211560	Belleville spring	8	Technical Specifications:"A" letter in draw[A]
11	GU14211600	Disc	1	
11	GU30211660	Disc	1	Technical Specifications:"A" letter in draw[A]
12	GU12211700	Half ring	2	
13	GU14219401	Spacer	1	
13	GU37219408	Spacer	1	Technical Specifications:"A" letter in draw[A], Change E125450<->E125509[C1]
14	GU14210513	Primary gear shaft	1	
15	GU18211050	Thrust washer sp.2	1	
15	GU18211051	Thrust washer sp.2,1	1	
15	GU18211052	Thrust washer sp.2,2	1	
15	GU18211054	Thrust washer sp.2,4	1	
16	GU92258525	Roller bearing	1	
17	GU14212013	Gear 5a Z=28	1	
18	GU92296750	Roller	1	
19	GU94321051	Spring	1	

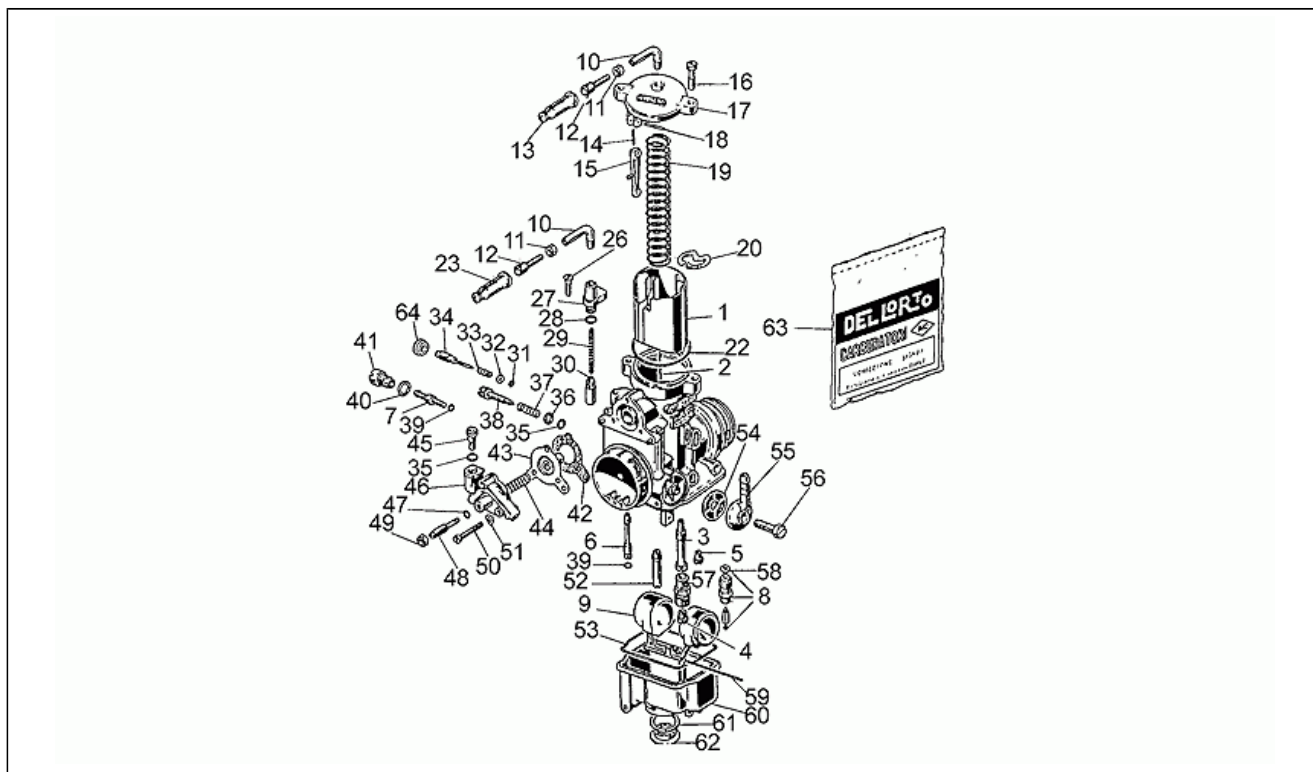
Assembly	ENGINE
Code	34.36
Description	Gear box
Revision	1



Pos.	Code	Description	Q.ty	Variants
20	GU92251030	Roller cage 30x35x13	1	
21	GU14212210	Bush 5a AP	1	
22	GU14231510	Sliding sleeve 5a	1	



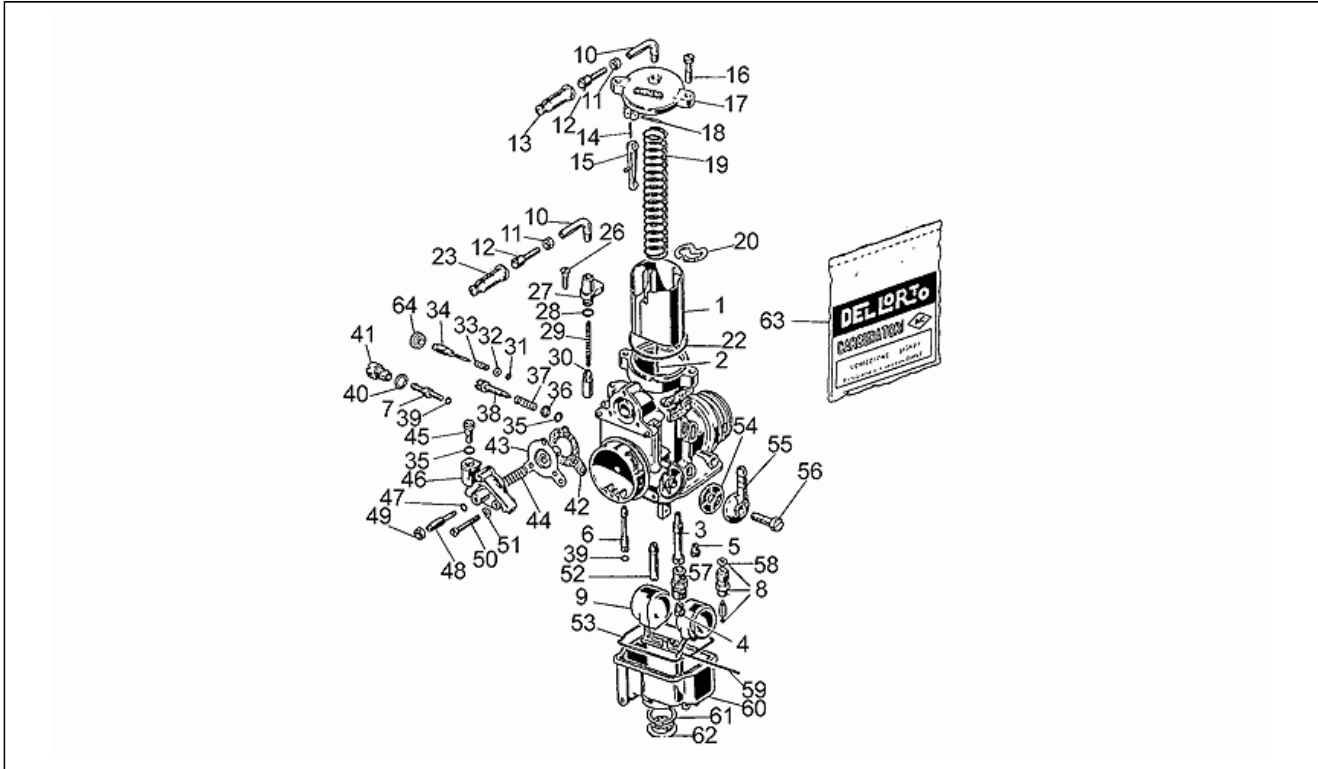
Assembly	ENGINE
Code	34.37
Description	Carburettor
Revision	1



Pos.	Code	Description	Q.ty	Variants
1	GU30937510	Gas valve 60/3	1	
1	GU30937512	Gas valve	1	Country:United States of America[USA]
2	GU17937767	Conical pin	1	Country:United States of America[USA]
2	GU28937750	Conical pin	1	
3	GU29935522	Needle valve	1	
3	GU30935510	Needle valve AR268	1	
3	GU30935565	Needle valve	1	Country:United States of America[USA]
4	GU28935711	Main jet 130	1	
4	GU28935740	Main jet	1	Country:Switzerland[CH]
5	GU35935970	Idle jet	1	Country:United States of America[USA]
5	GU66935910	Idle jet 50	1	
6	GU14936050	Starter jet 70	1	
7	GU28939050	Pump jet 33	1	
8	GU30939110	Needle valve 300	1	
9	GU14933000	Float	1	
10	GU49938900	Pipe	2	
11	GU19938880	Nut	2	
12	GU53937200	Wire tensioner screw	2	
13	0000000	Tyre 110/90"	1	
14	GU14938050	Spring	1	
15	0000000	Tyre 110/90"	1	Technical Specifications:Del'Orto 84260026[DO1]
16	GU14934650	Screw	1	
17	0000000	Tyre 110/90"	1	Technical Specifications:Del'Orto 109220053[DO2]
18	0000000	Tyre 110/90"	1	Technical Specifications:Del'Orto 109240022[DO3]
19	0000000	Tyre 110/90"	1	Technical Specifications:Del'Orto 85320061[DO4]
20	0000000	Tyre 110/90"	1	Technical Specifications:Del'Orto 85250021[DO5]
22	0000000	Tyre 110/90"	1	
23	0000000	Tyre 110/90"	1	

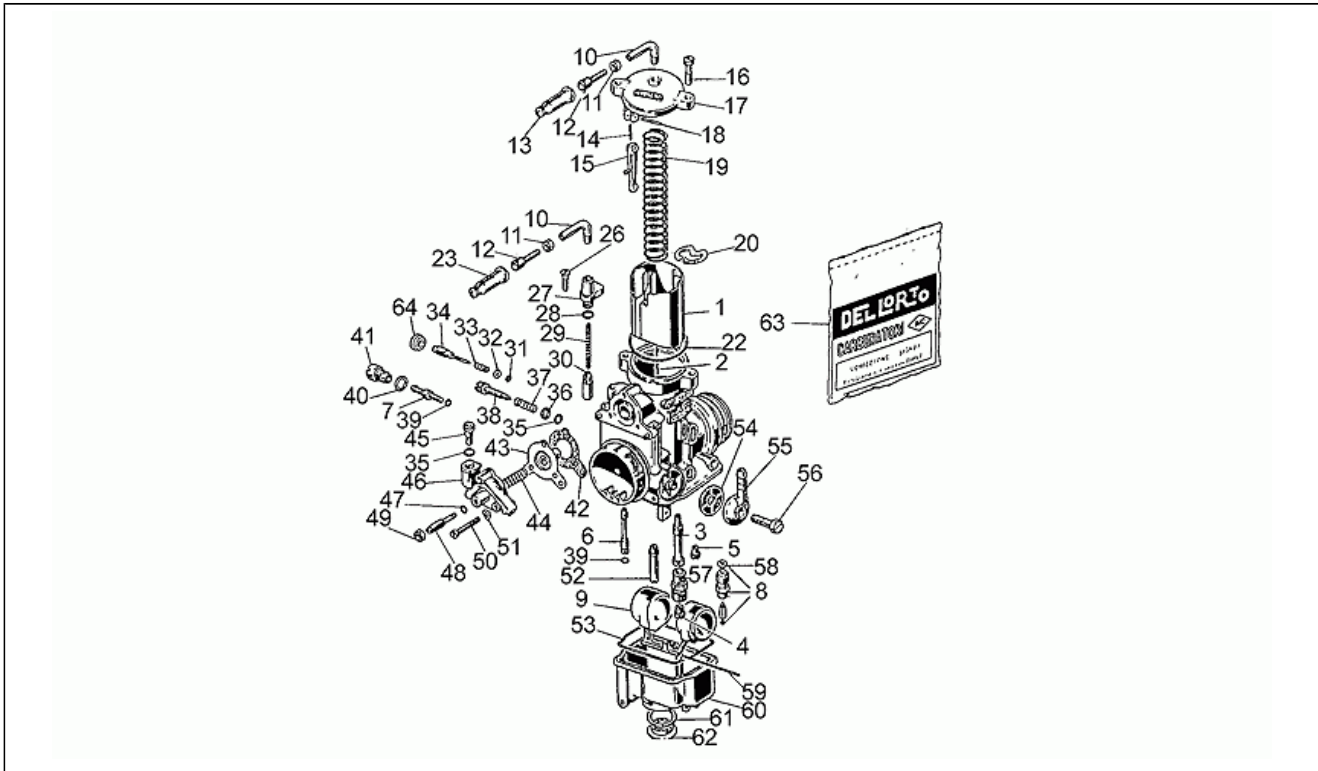


Assembly	ENGINE
Code	34.37
Description	Carburettor
Revision	1



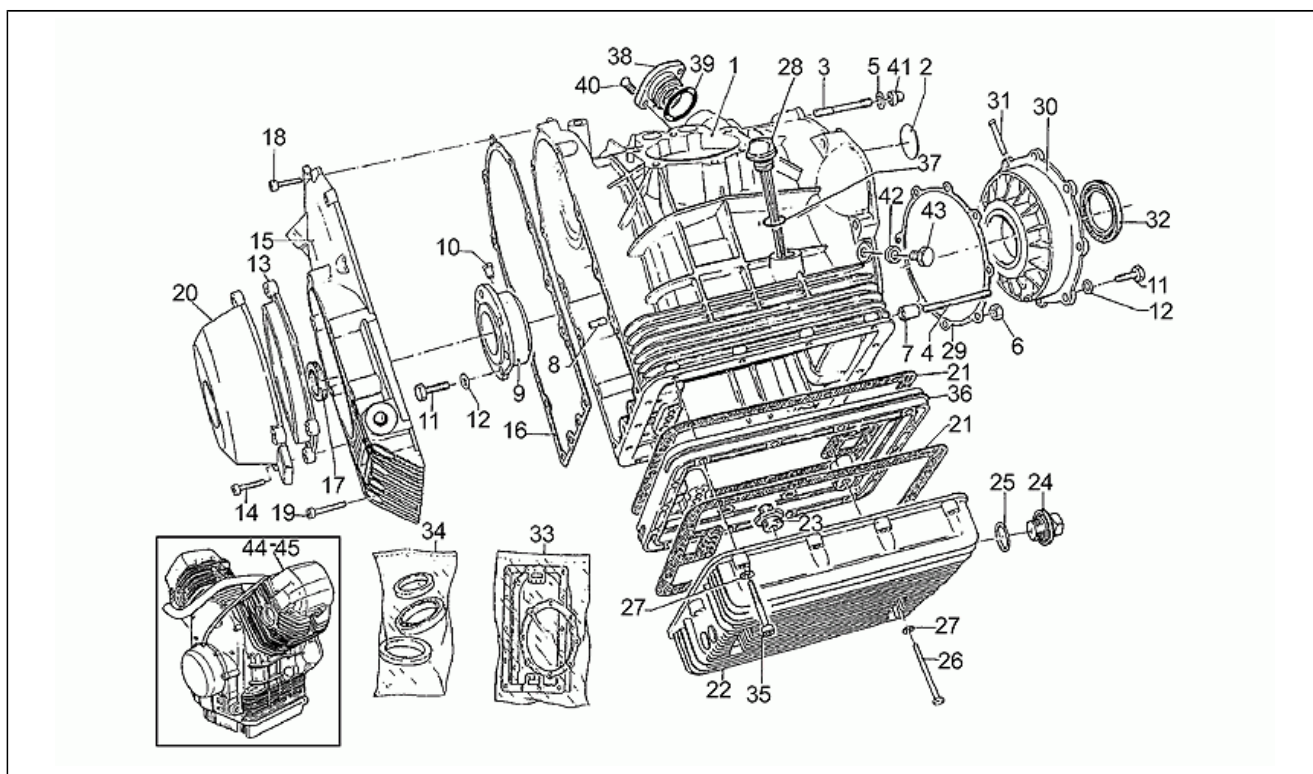
Pos.	Code	Description	Q.ty	Variants
26	GU13937900	Screw	1	
27	GU17937450	Starter device cover	1	
28	0000000	Tyre 110/90"	1	
29	GU13937600	Spring	1	
30	GU13937800	Starter valve	1	
31	0000000	Tyre 110/90"	1	
32	GU65933700	Flat washer	1	
33	GU13936300	Spring	1	
34	GU30936210	Screw	1	
35	0000000	Tyre 110/90"	1	
36	GU14931650	Flat washer	1	
37	GU13936700	Spring	1	
38	GU13936600	Gas valve adjuster screw	1	
39	0000000	Tyre 110/90"	1	
40	0000000	Tyre 110/90"	1	
41	0000000	Tyre 110/90"	1	Technical Specifications:Del'Orto 107470034[DO6]
42	0000000	Tyre 110/90"	1	
43	GU14931050	Diaphragm	1	
44	GU14936950	Spring	1	
45	0000000	Tyre 110/90"	1	Technical Specifications:Del'Orto 108000033[DO7]
46	GU14936850	Pump cover	1	
47	0000000	Tyre 110/90"	1	
48	GU14936550	Screw	1	
49	GU14936450	Nut	1	
50	0000000	Tyre 110/90"	1	Technical Specifications:Del'Orto 84280036[DO8]
51	GU13932900	Washer	1	
52	GU14931350	Intake valve	1	
53	0000000	Tyre 110/90"	1	

Assembly	ENGINE
Code	34.37
Description	Carburettor
Revision	1



Pos.	Code	Description	Q.ty	Variants
54	GU43934000	Fuel filter	1	
55	GU13934600	Fuel pipe union cap	1	
56	GU10934900	Cap fixing screw	1	
57	0000000	Tyre 110/90"	1	Technical Specifications: Del'Orto 88850032[DO9]
58	0000000	Tyre 110/90"	1	
59	GU13933100	Float pin	1	
60	0000000	Tyre 110/90"	1	Technical Specifications: Del'Orto 105570096[DO10]
61	0000000	Tyre 110/90"	1	
62	0000000	Tyre 110/90"	1	Technical Specifications: Del'Orto 102380034[DO11]
63	GU28939911	Carburettor gasket set	1	
64	GU29119306	Tamperproof dataplate	1	Country: Switzerland[CH]

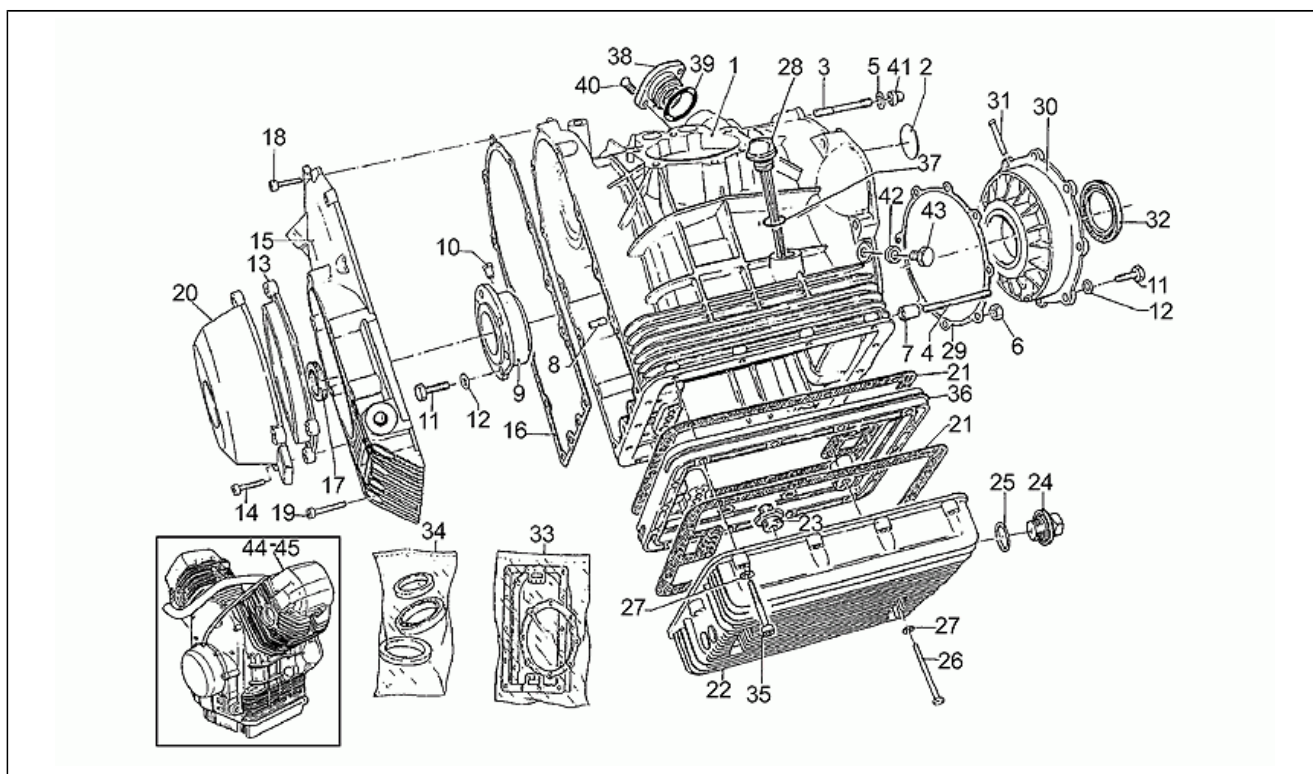
Assembly	ENGINE
Code	34.38
Description	Crank-case
Revision	1



Pos.	Code	Description	Q.ty	Variants
1	GU30000760	Crankcase, grey	1	Technical Specifications: Carburettor version (KC frame)[VC]
1	GU30000770	Crankcase, grey	1	Technical Specifications: Injection version (KD frame)[VI]
2	GU12003900	Disc	1	
3	GU96508066	Stud bolt M8X66	4	
4	GU96508075	Stud bolt M8x75	2	
5	GU95007208	Washer	4	
6	GU92602208	Nut M8X1,25	4	
7	GU12018900	Coupling bush	2	
8	GU95512081	Pin	2	
9	GU14011900	Complete flange	1	Technical Specifications: Tolerance standard[std]
9	GU14011901	Flange min.0,2 mm	1	
10	GU12012200	Pin	1	
11	GU98054425	Screw M8X25	14	
12	GU61270300	Spring washer 8x15x0,3	14	
13	GU18001150	Flange	1	
14	GU98310630	Screw	4	
15	GU30001460	Cover grey	1	
16	GU12001200	Cover gasket	1	
17	GU90402840	Gasket ring 28x38x7	1	
18	GU98622325	Hex socket screw M6X25	8	
19	GU98620335	Screw M6X35	6	
20	GU03001600	Generator cover polished plated	1	Technical Specifications: 75° Anniversary[75]
20	GU18001650	Cover	1	
21	GU14003600	Sump gasket	2	
22	GU30003560	Oil sump grey	1	
23	GU30003800	Oil filter union	1	
24	GU12003702	Oil unload plug	1	
25	GU95100709	Gasket 20,1x28x2	1	

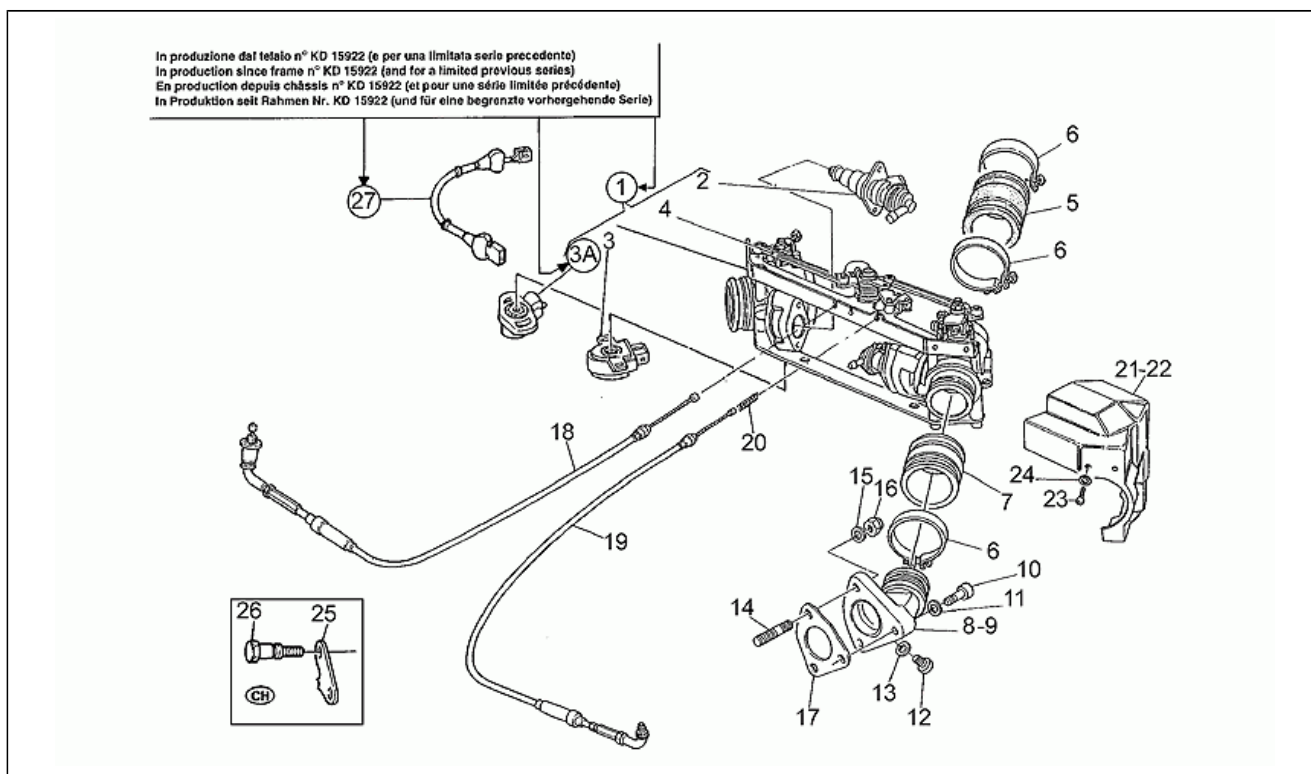


Assembly	ENGINE
Code	34.38
Description	Crank-case
Revision	1



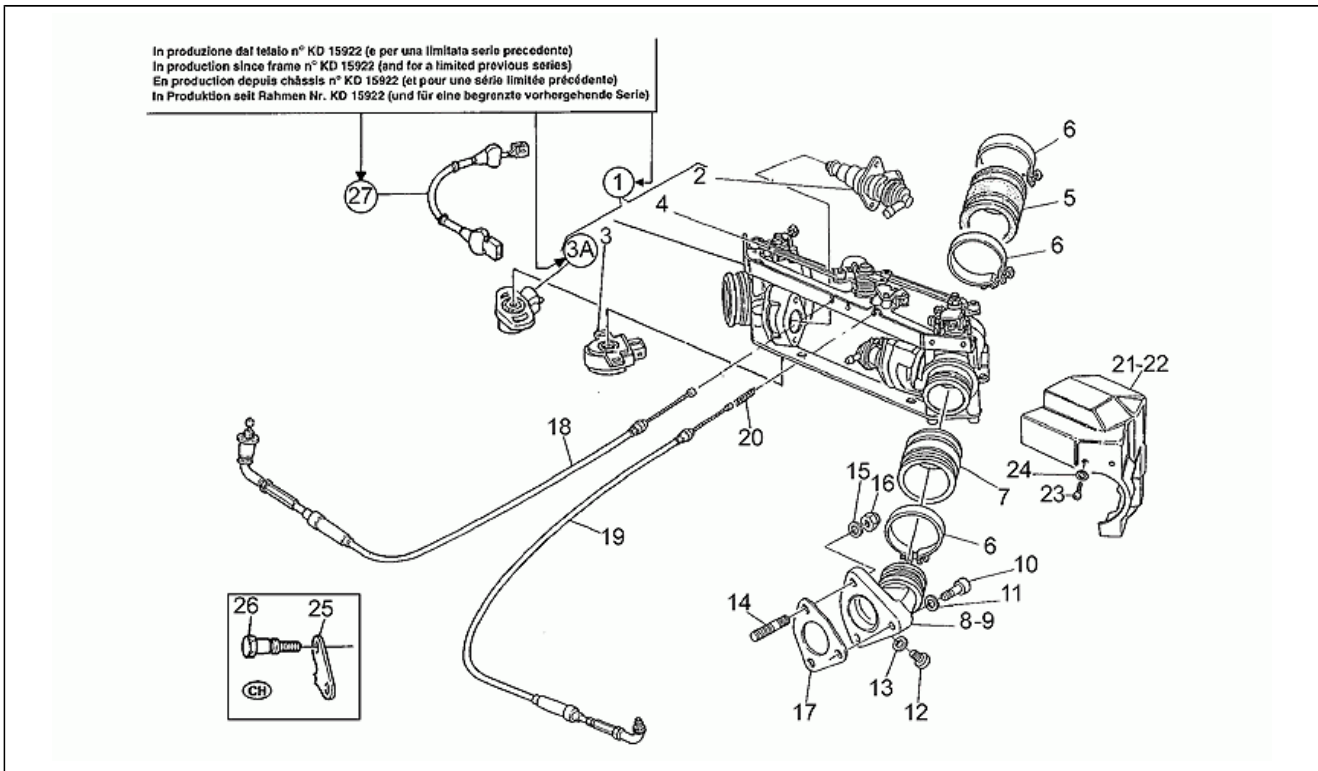
Pos.	Code	Description	Q.ty	Variants
26	GU98052390	Screw	4	
27	GU95004206	Washer 6,15x11x0,8	18	
28	GU30004910	Oil plug	1	
29	GU12011800	Gasket	1	
30	GU12011400	Complete flange	1	Technical Specifications: Tolerance standard[std]
30	GU12011401	Flange min.0,2 mm	1	Technical Specifications: Tolerance min.[M]
30	GU12011402	Flange min.0,4 mm	1	Technical Specifications: Tolerance min.[M]
30	GU12011403	Flange min.0,6 mm	1	Technical Specifications: Tolerance min.[M]
31	GU12011700	Pin	1	
32	GU90405367	Gasket ring	1	
33	GU29999000	Engine set gasket	1	Technical Specifications: California 1000 cc[KG/KH]
33	GU30999060	Gaskets set	1	Technical Specifications: California 1100 cc[KC/KD]
34	GU17999550	Engine oil seal kit	1	
35	GU98620360	Screw	14	
36	GU30003260	Motor oil flange	1	
37	GU90706178	O-ring 17,86X2,62	1	
38	GU29018361	Cover	1	
39	GU90706313	O-ring	1	
40	GU98250820	Screw	2	
41	GU92781081	Nut	2	
42	GU95100304	Gasket	1	
43	GU30003770	Oil unload plug	1	
44	GU30991060	Engine w/o gearbox	1	Technical Specifications: Carburettor version (KC frame)[VC]
44	GU30991085	Engine w/o gearbox 1000 cc	1	Technical Specifications: Carburettor version (KC frame)[VC]
45	GU30991070	Engine w/o gearbox	1	Technical Specifications: Injection version (KD frame)[VI]
45	GU30991090	Engine w/o gearbox 1000 cc	1	Technical Specifications: Injection version (KD frame)[VI]

Assembly	ENGINE
Code	34.40
Description	Throttle body
Revision	1



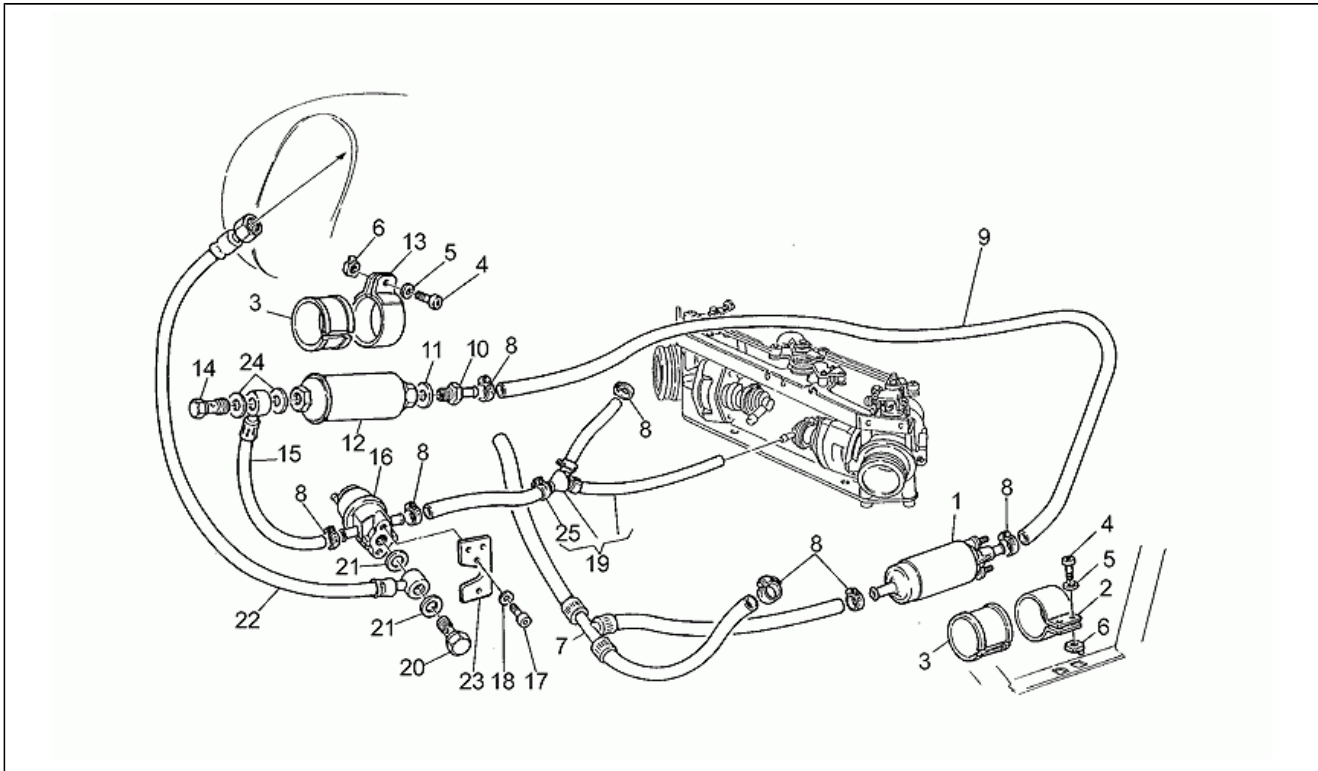
Pos.	Code	Description	Q.ty	Variants
1	GU03112560	Throttle assy	1	Technical Specifications: From frame KD15922[T4]
1	GU30112570	Throttle body	1	Technical Specifications: Exhausted[E], Order 03112560+30738670[O2], Up to frame >KD15921[T3]
2	GU30530570	Injector IVV031	2	
3	GU01530500	Potentiometer	1	Technical Specifications: From frame KD15922[T4]
3	GU30530501	Throttle body sensor	1	Technical Specifications: Up to frame >KD15921[T3]
4	GU29530562	Tie rod	2	
5	GU30114470	Hose	2	
6	GU93305060	Hose clamp 60x62x10	8	
7	GU30114370	Hose	2	
8	GU30115070	RH manifold	6	
9	GU30115071	LH manifold	1	
10	GU98622325	Hex socket screw M6X25	2	
11	GU95004206	Washer 6,15x11x0,8	2	
12	GU98310610	Screw	2	
13	GU95100116	Washer 6,25x10x1,5	2	
14	GU96506039	Stud bolt	4	
15	GU61013800	Special washer	4	
16	GU92781062	Nut	4	
17	GU28115560	Gasket	2	
18	GU30117570	Throttle cable	1	
19	GU30132870	Choke cable	1	
20	GU94321070	Spring	1	
21	GU29113360	RH cover	1	Technical Specifications: Up to frame >KD15921[T3]
21	GU30113370	RH body cover	1	Technical Specifications: See spare parts comm.n.012 of 1997[01297N], From frame KD15922[T4]
22	GU29113460	LH cover	1	Technical Specifications: Up to frame >KD15921[T3]
22	GU30113470	LH body cover	1	Technical Specifications: See spare parts comm.n.012 of 1997[01297N], From frame KD15922[T4]

Assembly	ENGINE
Code	34.40
Description	Throttle body
Revision	1



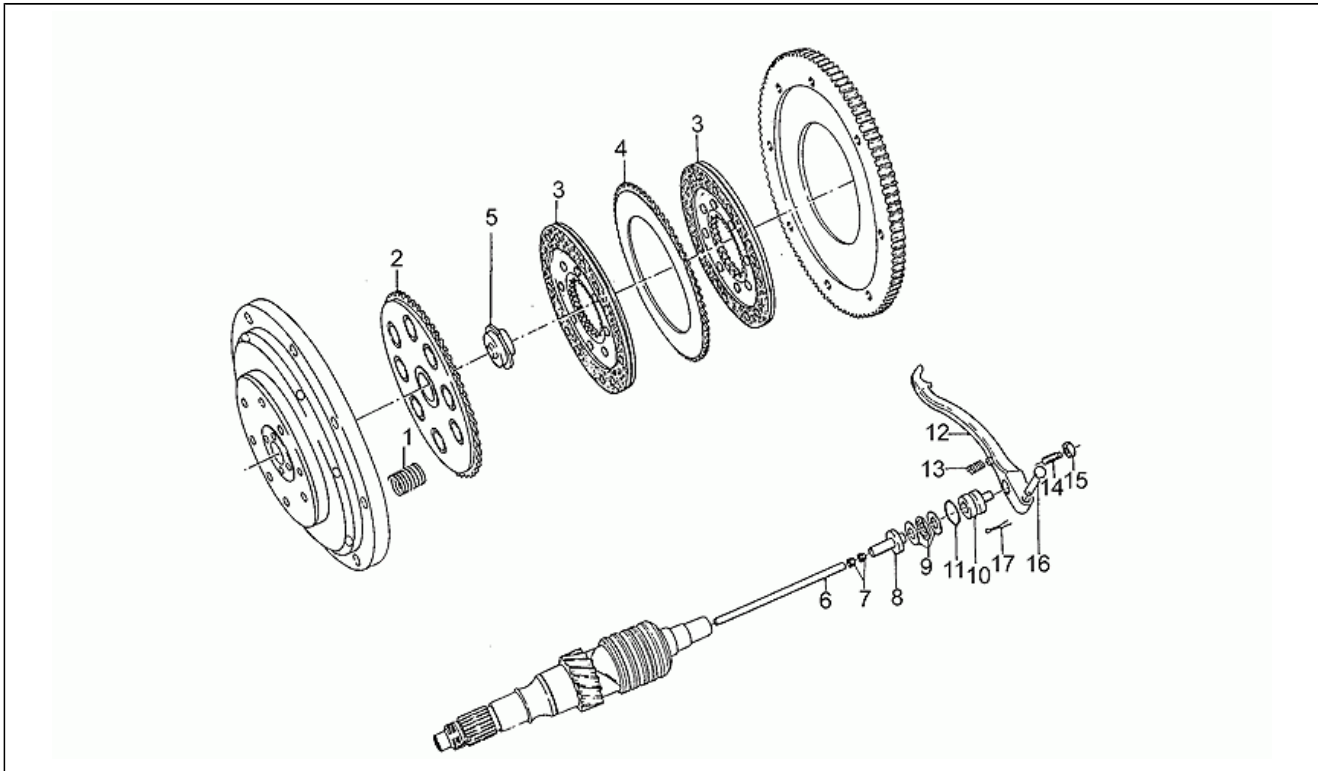
Pos.	Code	Description	Q.ty	Variants
23	GU98612110	Screw	4	
24	GU95007204	Washer	4	
25	GU29113035	Clamp	1	Country:Switzerland[CH]
26	GU30468104	Shear rivet	2	Country:Switzerland[CH]
27	GU30738670	Adapter cable	1	Technical Specifications:From frame KD15922[T4]

Assembly	ENGINE
Code	34.41
Description	Timing system
Revision	1



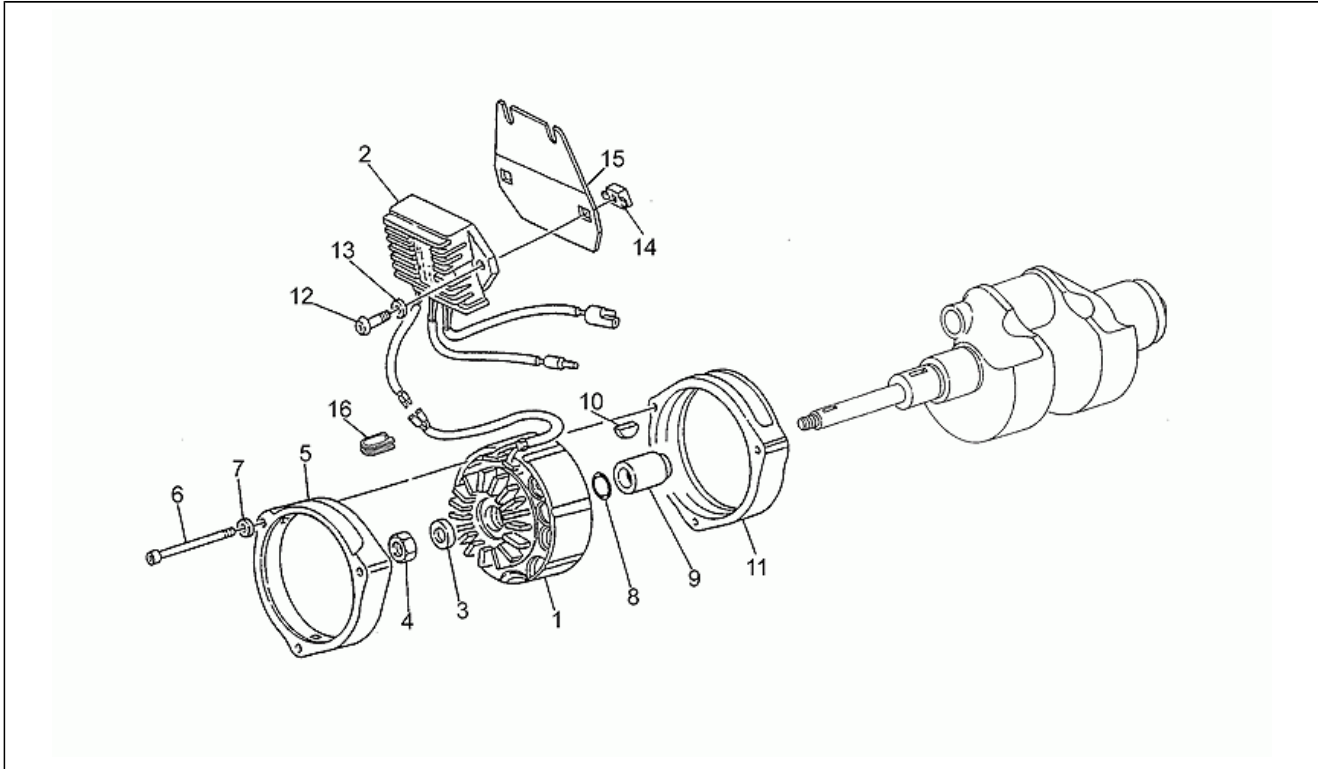
Pos.	Code	Description	Q.ty	Variants
1	GU29107261	Fuel pump	1	
2	GU29107360	Hose clamp	1	
3	GU29105860	Rubber protection	2	
4	GU98622318	Hex socket screw M6X18	3	
5	GU61013800	Special washer	3	
6	GU92660601	Captive nut	3	
7	GU30106570	Fuel pipe	1	
8	GU93305017	Hose clamp	9	
9	GU30106170	Pipe from p"ump to filter	1	
10	GU30106800	Union	1	
11	GU18161150	Gasket 14,25	1	
12	GU29106061	Fuel filter M14xM12	1	
13	GU29113860	Hose clamp	1	
14	GU29109161	Special screw M12	1	
15	GU30108270	Fuel pipe	1	
16	GU29112760	Fuel pressure regulator	1	
17	GU98612312	Screw	2	
18	GU61013800	Special washer	2	
19	GU30108070	Fuel pipe	1	
20	GU29107960	Bored screw	1	
21	GU12154200	Gasket 8,25x15x1	1	
22	GU30108770	Fuel pipe	1	
23	GU30401061	Plate	1	
24	GU12006400	Gasket 12,25	2	
25	GU28157950	Hose clip 12,5x8	3	

Assembly	ENGINE
Code	34.42
Description	Clutch
Revision	1



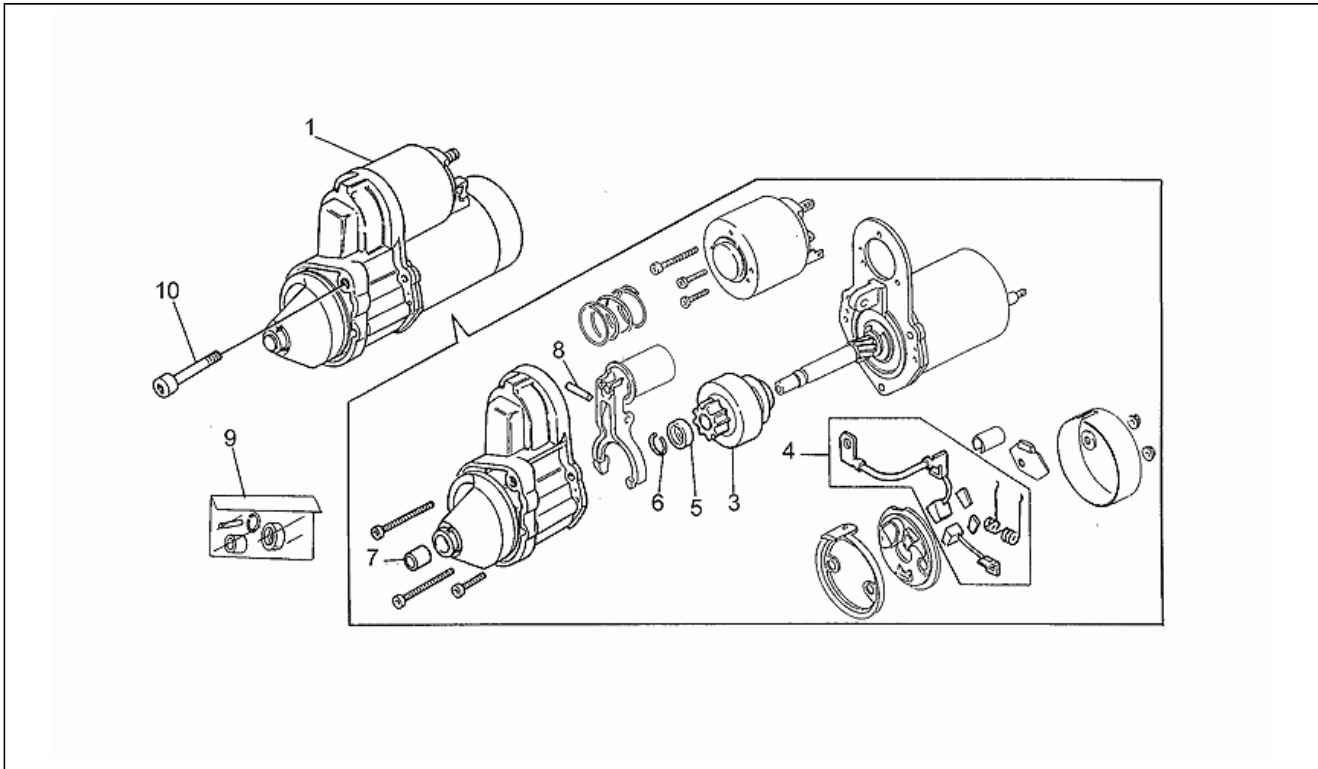
Pos.	Code	Description	Q.ty	Variants
1	GU13084100	Clutch spring	8	
2	GU12082901	Disc	1	
3	GU29084450	Clutch plate complete	2	
4	GU12082300	Intermediate plate	1	
5	GU12082800	Cup	1	
6	GU14085700	Rod	1	
7	GU14085900	Bush	2	
8	GU14086000	Inner body	1	
9	GU12087001	Thrust bearing	1	
10	GU14086100	Outer body	1	
11	GU90706170	O-ring 17,13x2,62	1	
12	GU14090202	Clutch release shaft	1	
13	GU94321105	Lever return spring	1	
14	GU14090400	Adjuster screw	1	
15	GU92602508	Nut M8X1	1	
16	GU95780271	Pin 7x39	1	
17	GU95500222	Split pin	1	

Assembly	ENGINE
Code	34.43
Description	Generator - Regulator
Revision	1



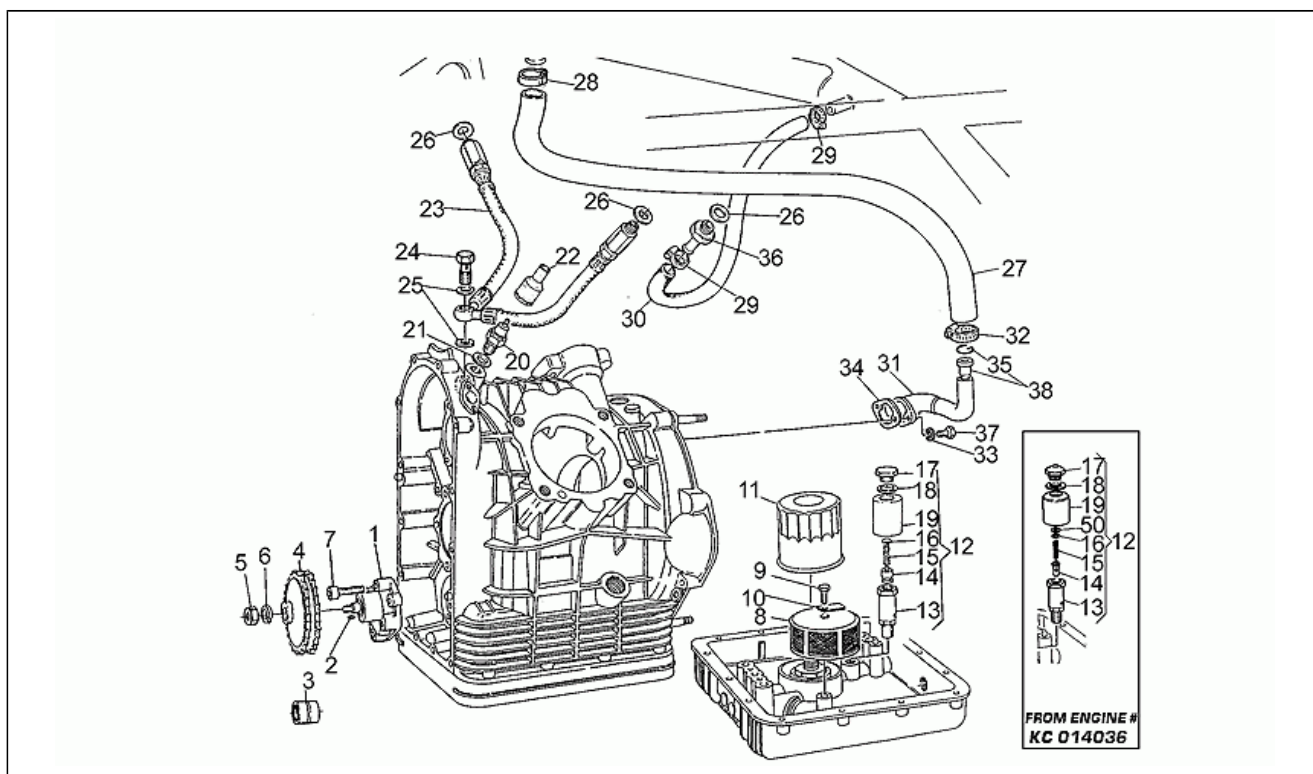
Pos.	Code	Description	Q.ty	Variants
1	GU37712405	Generator	1	
2	GU37703805	Voltage regulator	1	
3	GU30714201	Washer 16,25x24,5x5	1	
4	GU92603516	Nut M16X1,5	1	
5	GU29711460	Front calotte	1	
6	GU98620265	Screw	3	
7	GU29217960	Washer 5,9X3X0,8	3	
8	GU90706178	O-ring 17,86X2,62	1	
9	GU37712306	Spacer	1	
10	GU91600450	Transmission key	1	
11	GU29711960	Rear cap	1	
12	GU98622316	Hex socket screw M6X16	2	
13	GU95000206	Washer	2	
14	GU92660601	Captive nut	2	
15	GU29704060	Support plate	1	
16	GU19007700	Rubber spacer	1	

Assembly	ENGINE
Code	34.45
Description	Starter motor
Revision	1



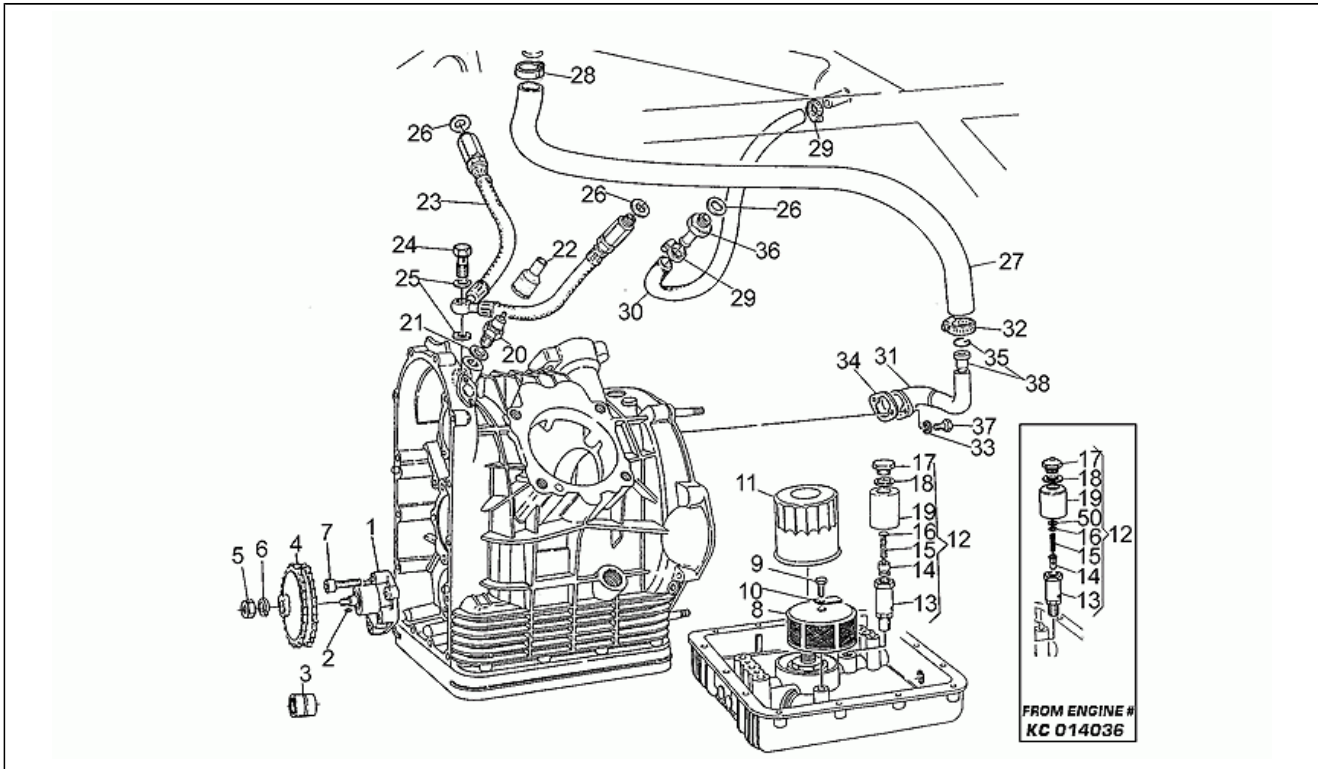
Pos.	Code	Description	Q.ty	Variants
1	GU30730711	Starter motor Valeo	1	
3	GU30530510	Pinion assy	1	
4	GU30530511	Brush revision set	1	
5	0000000	Tyre 110/90"	1	
6	0000000	Tyre 110/90"	1	
7	0000000	Tyre 110/90"	1	
8	0000000	Tyre 110/90"	1	
9	GU30530512	Starter motor revision kit	1	
10	GU98052475	Hex screw M8X75	2	

Assembly	ENGINE
Code	34.48
Description	Oil pump
Revision	1



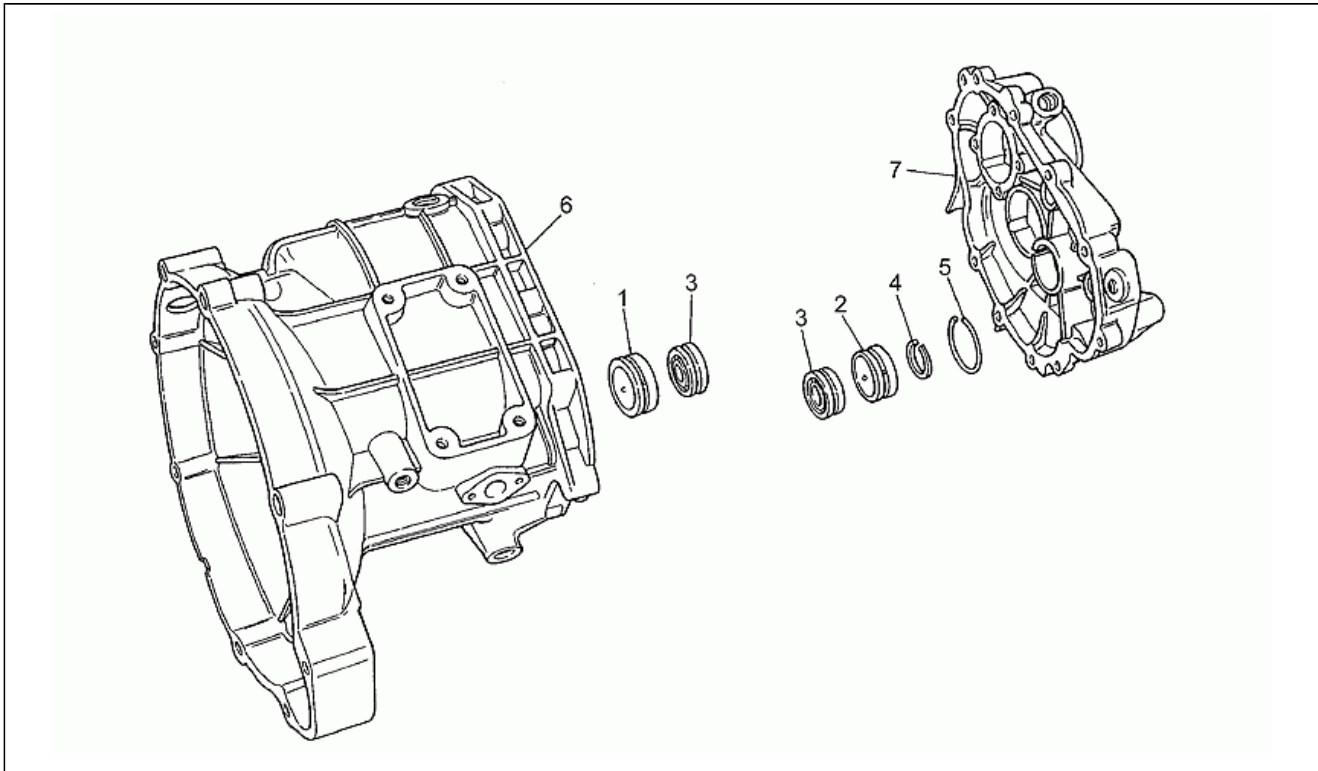
Pos.	Code	Description	Q.ty	Variants
1	GU30146400	Oil pump	1	
2	GU13148300	Transmission key	1	
3	GU92252210	Roller bearing 10x22x20	1	
4	GU30147700	Oil pump gear	1	
5	GU92602308	Nut	1	
6	GU95120085	Spring washer	1	
7	GU98622430	Screw M8X30	4	
8	GU14152200	Oil filter	1	
9	GU98054316	Hex screw M6X16	1	
10	GU95187006	Plate	1	
11	GU30153000	Oil filter	1	
12	GU03158200	Oil valve cpl.	1	Technical Specifications: See spare parts comm.n.025 of 1998[02598N], From engine >KC014036[M3]
12	GU14158200	Oil valve cpl.	1	Technical Specifications: Up to engine >KC014035[M4]
13	GU10158701	Valve body	1	Technical Specifications: Up to engine >KC014035[M4]
13	GU30158701	Valve body	1	Technical Specifications: See spare parts comm.n.025 of 1998[02598N], From engine KC014036[M3]
14	GU12150900	Piston	1	Technical Specifications: Up to engine >KC014035[M4]
14	GU30150900	Piston	1	Technical Specifications: See spare parts comm.n.025 of 1998[02598N], From engine KC014036[M3]
15	GU94321072	Valve spring	1	Technical Specifications: Up to engine >KC014035[M4]
15	GU94321079	Spring	1	Technical Specifications: See spare parts comm.n.025 of 1998[02598N], From engine KC014036[M3]
16	GU12150700	Bottom	1	Technical Specifications: Up to engine >KC014035[M4]
16	GU95004206	Washer 6,15x11x0,8	1	Technical Specifications: See spare parts comm.n.025 of 1998[02598N], From engine KC014036[M3]
17	GU12159000	Plug	1	Technical Specifications: Up to engine >KC014035[M4]
17	GU30159000	Plug	1	Technical Specifications: See spare parts comm.n.025 of 1998[02598N], From engine KC014036[M3]

Assembly	ENGINE
Code	34.48
Description	Oil pump
Revision	1



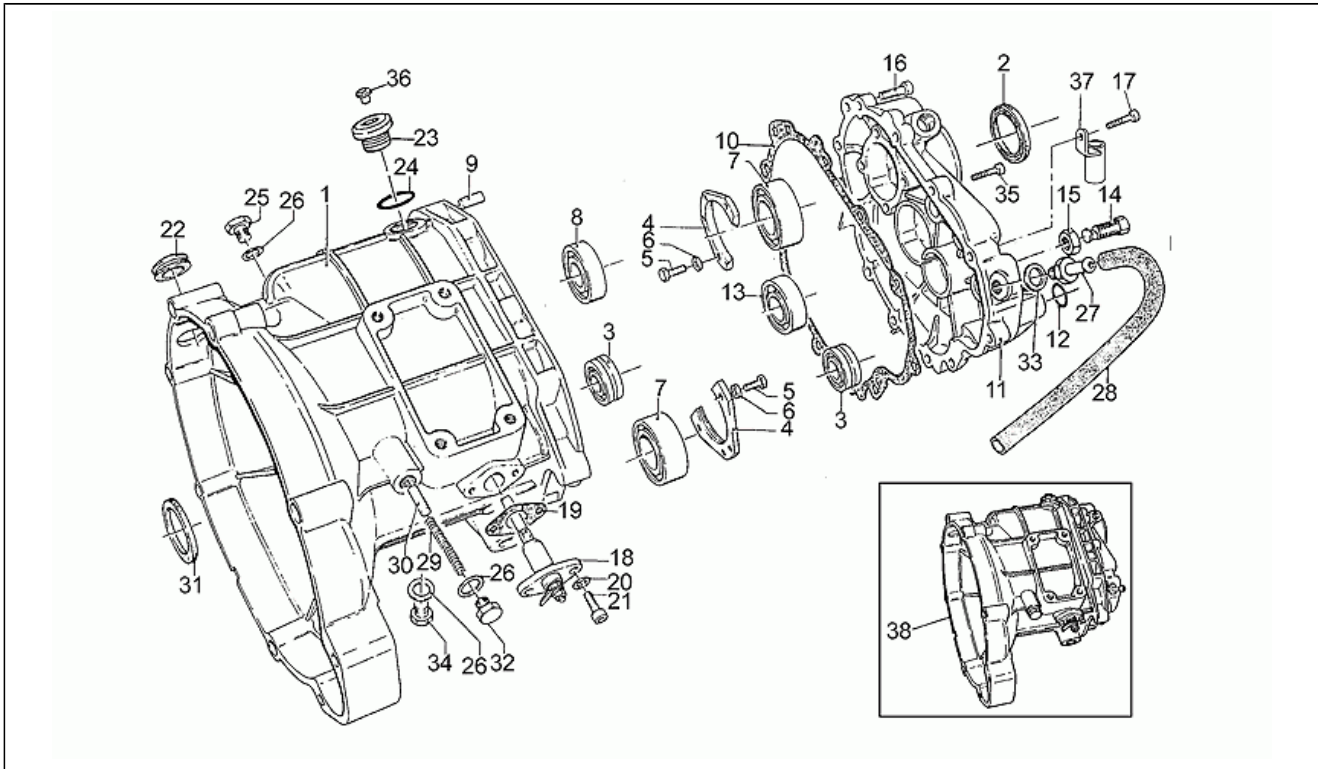
Pos.	Code	Description	Q.ty	Variants
18	GU18144350	Washer 18,25x24x1	2	Technical Specifications: See spare parts comm.n.025 of 1998[02598N], From engine KC014036[M3]
18	GU95100523	Washer 14,5X20X1	2	Technical Specifications: Up to engine >KC014035[M4]
19	GU14158800	Cup	1	Technical Specifications: Up to engine >KC014035[M4]
19	GU30158800	Cup	1	Technical Specifications: See spare parts comm.n.025 of 1998[02598N], From engine KC014036[M3]
20	GU17768750	Pressure sensor	1	
21	GU12006400	Gasket 12,25	1	
22	GU12717600	Cap	1	
23	GU14153660	Pipe	1	
24	GU95990037	Screw	5	
25	GU12154200	Gasket 8,25x15x1	2	
26	GU25656102	Gasket	4	
27	GU28157450	Pipe	1	
28	GU28157850	Hose clamp	1	
29	GU93305017	Hose clamp	4	
30	GU00823942070	Pipe	1	
31	GU28007250	Breather pipe	1	
32	GU12157800	Hose clamp	1	
33	GU95120065	Washer 6,5x11x2	2	
34	GU12007600	Gasket	1	
35	GU65061300	Stop ring	1	
36	GU28153960	Union	2	
37	GU98054320	Hex screw M6X20	2	
38	GU28150560	Oil breather valve	1	
50	GU30158900	Washer	0	Technical Specifications: See spare parts comm.n.025 of 1998[02598N], From engine KC014036[M3]

Assembly	ENGINE
Code	34.49
Description	Gearbox I
Revision	1



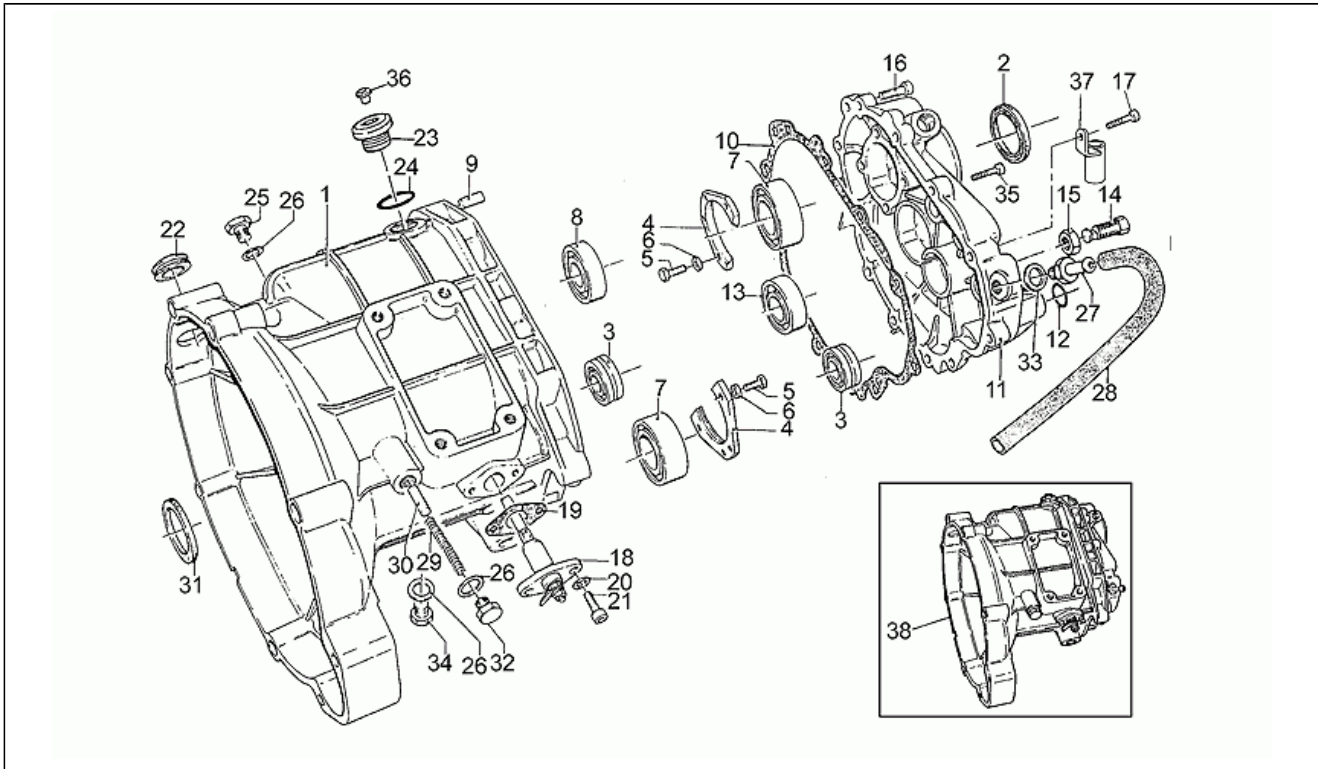
Pos.	Code	Description	Q.ty	Variants
1	GU37223808	Gearbox bush	1	Technical Specifications: Change E125450<>E125509[C1]
2	GU37223908	Gearbox cover bush	1	Technical Specifications: Change E125450<>E125509[C1]
3	GU92254316	Bearing AP/AF d.29mm	2	Technical Specifications: Change E125450<>E125509[C1]
4	GU90271229	Clearance ring	1	Technical Specifications: Change E125450<>E125509[C1]
5	GU90353037	Stop ring	1	Technical Specifications: Change E125450<>E125509[C1]
6	0000000	Tyre 110/90"	1	
7	0000000	Tyre 110/90"	1	

Assembly	ENGINE
Code	34.50
Description	Gearbox II
Revision	1



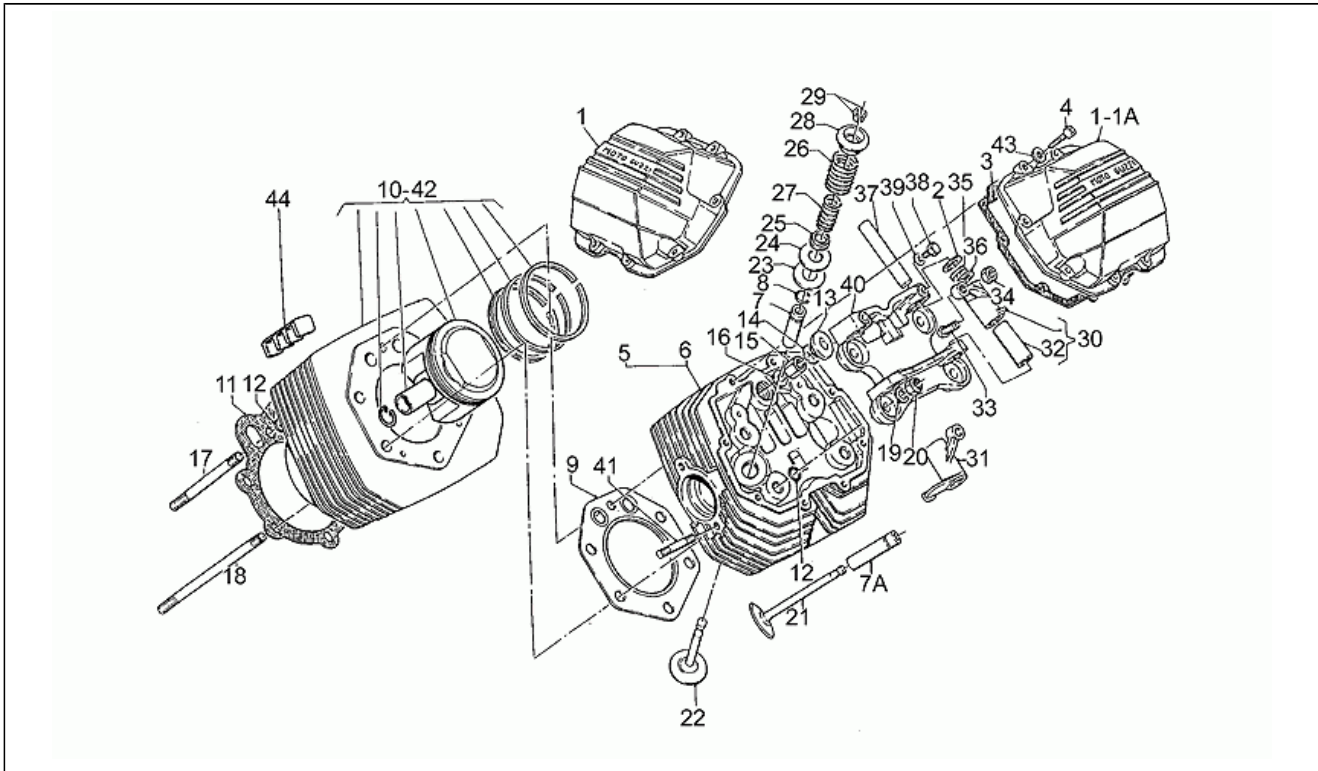
Pos.	Code	Description	Q.ty	Variants
1	GU30200260	Transmission cage	1	Technical Specifications: Except changes E125450<>E125509[C2]
2	GU90403547	Gasket ring 35x47x7	1	
3	GU92256218	Roller bearing 17x35x15	2	Technical Specifications: Except changes E125450<>E125509[C2]
4	GU14213803	Plate	2	
5	GU98622316	Hex socket screw M6X16	6	
6	GU14217901	Washer 6,4x10x0,7	6	
7	GU92218424	Ball bearing AF/AS 25x52	2	
8	GU92234717	Roller bearing AS 17x47x14	1	
9	GU95512081	Pin	2	
10	GU14201110	Gasket	1	
11	GU30200860	Box cover	1	Technical Specifications: Except changes E125450<>E125509[C2]
12	GU90706140	O-ring 13,95x2,92	1	
13	GU92201417	Ball bearing AP 17x47x14	1	
14	GU14237800	Screw	1	
15	GU92602512	Low nut M12x1,25	1	
16	GU98622325	Hex socket screw M6X25	9	
17	GU98620335	Screw M6X35	1	
18	GU12207200	Neutral indicator switch	1	
19	GU12207700	Gasket	1	
20	GU14217901	Washer 6,4x10x0,7	2	
21	GU98822316	Screw	2	
22	GU93180220	Plug	1	
23	GU19351200	Oil plug	1	
24	GU90706203	O-ring 20,24X2,62	1	
25	GU95980214	Oil level plug	1	
26	GU10528900	Gasket	3	

Assembly	ENGINE
Code	34.50
Description	Gearbox II
Revision	1



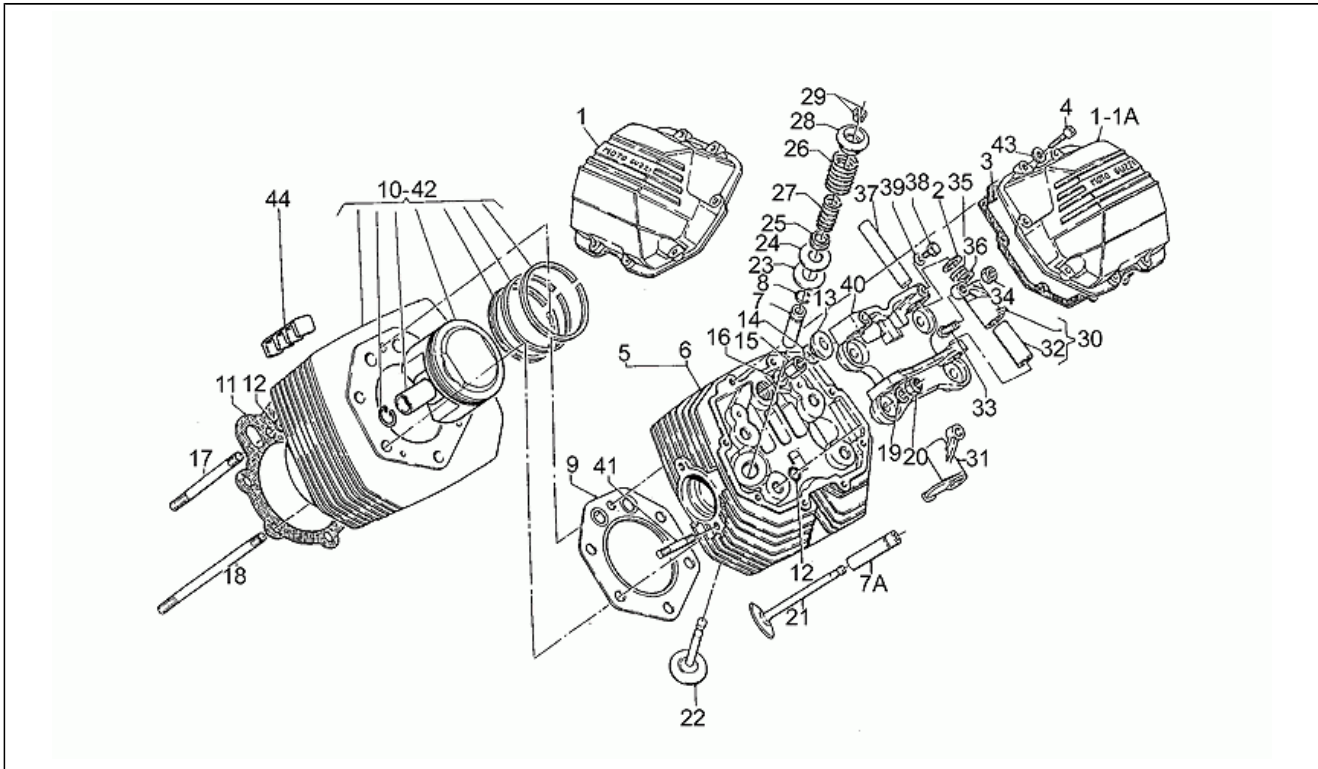
Pos.	Code	Description	Q.ty	Variants
27	GU14204955	Oil breather valve	1	
28	GU00823942070	Pipe	1	
29	GU94321067	Lever return spring	1	
30	GU55234700	Pawl	1	
31	GU90403548	Gasket ring 35x47x7/6,5	1	
32	GU95980610	Plug	1	
33	GU12154200	Gasket 8,25x15x1	1	
34	GU31003766	Oil unload plug M10X1	1	
35	GU98822325	Screw	1	
36	GU93180245	Plug	1	
37	GU30424660	Support	1	
38	GU30991560	Gearbox assy., grey	1	

Assembly	ENGINE
Code	34.51
Description	Head - Cylinder - Piston
Revision	1



Pos.	Code	Description	Q.ty	Variants
1	GU29023550	Valves cover, stain.	2	
1	GU30023670	RH/LH head cover polished	1	Technical Specifications: Injection version (KD frame)[VI]
2	GU10032700	Washer 15,2x26x0,5	4	
3	GU14023760	Cover gasket	2	
4	GU98622325	Hex socket screw M6X25	16	
5	GU30022160	RH head assy w/h valve grey	1	
5	GU30022162	RH cylinder head	1	Country: Switzerland[CH] Technical Specifications: Carburettor version (KC frame)[VC]
6	GU30022260	LH head assy without valve grey	1	
6	GU30022262	LH cylinder head	1	Country: Switzerland[CH] Technical Specifications: Carburettor version (KC frame)[VC]
7	GU13036801	Exhaust valve guide	2	
7	GU14036860	Intake valve guide	2	Technical Specifications: "A" letter in draw[A]
8	GU90353016	Snap ring	4	
9	GU14022065	Gasket	2	Technical Specifications: California 1000 cc[KG/KH]
9	GU30022060	Gasket	2	Technical Specifications: California 1100 cc[KC/KD]
10	GU30060160	Cylinder with piston assy., LH	1	Technical Specifications: California 1100 cc[KC/KD]
10	GU30060185	Cylinder with piston assy., LH	1	Technical Specifications: California 1000 cc[KG/KH]
11	GU14020865	Gasket	2	
12	GU90706094	O-ring 9x2	12	
13	GU12022600	Oil plug	2	
14	GU90706203	O-ring 20,24X2,62	2	
15	GU13021900	Column nut	2	
16	GU95129180	Washer 10,5X18X0,8	2	
17	GU12021800	Stud bolt	4	
18	GU12021700	Stud bolt	8	
19	GU14018400	Washer 10,5X21X1	10	
20	GU92603010	Nut M10X1,5	10	

Assembly	ENGINE
Code	34.51
Description	Head - Cylinder - Piston
Revision	1



Pos.	Code	Description	Q.ty	Variants
21	GU30036010	Intake valve	2	
22	GU30036110	Exhaust valve	2	
23	GU13037200	Washer 14,2x31x1	4	
24	GU14037300	Washer 14,2x31x0,3	10	
25	GU13037000	Lower cup	4	
26	GU13037400	Outer spring	4	
27	GU13037600	Inner spring	4	
28	GU14038000	Upper cup	4	
29	GU12038100	Valve half-cone	8	
30	GU14030200	RH rocker arm assy	2	
31	GU14030400	LH rocker arm assy	2	
32	GU91111511	Bush 15x18x43	4	
33	GU17034050	Adjuster screw	4	
34	GU10034100	Nut	4	
35	GU94322215	Spring	4	
36	GU90118152	Washer 15,2x26x1	8	
37	GU12031800	Rocker shaft	4	
38	GU98054316	Hex screw M6X16	4	
39	GU95120065	Washer 6,5x11x2	4	
40	GU14034865	Rocker arm support	2	
41	GU96508042	Stud bolt	4	
42	GU30060060	Cylinder with piston assy., RH	1	Technical Specifications: California 1100 cc[KC/KD]
42	GU30060085	Cylinder with piston assy., RH	1	Technical Specifications: California 1000 cc[KG/KH]
43	GU95004206	Washer 6,15x11x0,8	16	
44	GU19025300	Anti-vibration plate	2	Country: Switzerland[CH]